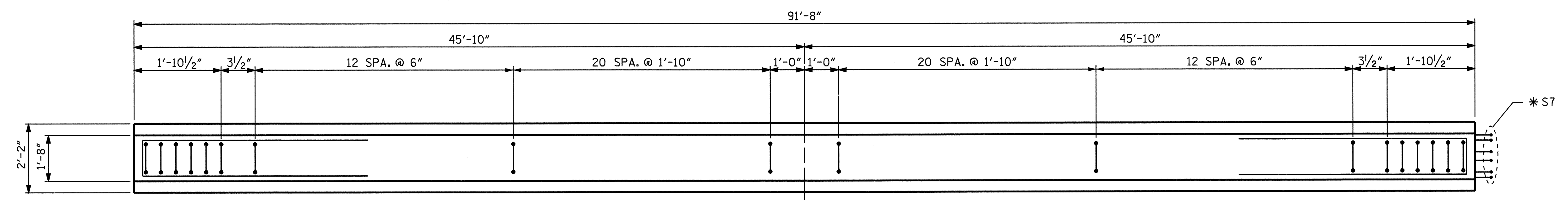
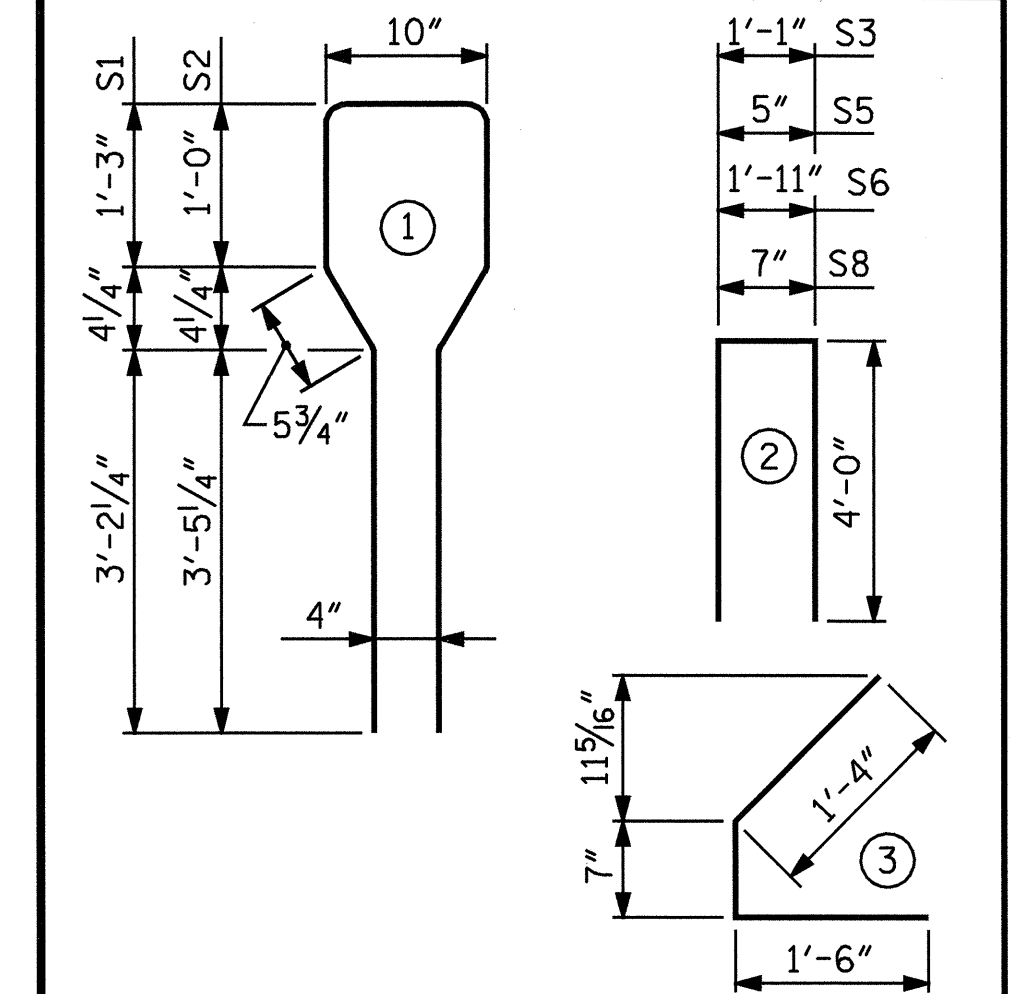


| 1/2" Ø L. R. GRADE 270 STRANDS | | |
|--------------------------------|--|--|
| AREA (SQUARE INCHES) | ULTIMATE STRENGTH (LBS. PER STRAND) | APPLIED PRESTRESS (LBS. PER STRAND) |
| 0.153 | 41,300 | 30,980 |

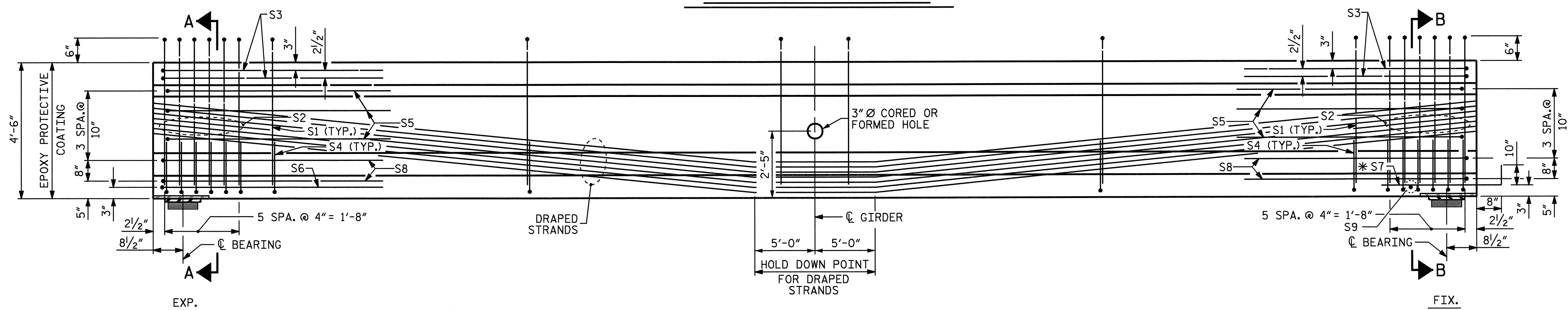
| REINFORCING STEEL FOR ONE GIRDER | | | | | |
|----------------------------------|--------|------|------|--------|--------|
| BAR | NUMBER | SIZE | TYPE | LENGTH | WEIGHT |
| S1 | 66 | #4 | 1 | 10'-8" | 470 |
| S2 | 12 | #6 | 1 | 10'-8" | 192 |
| S3 | 4 | #4 | 2 | 9'-1" | 24 |
| S4 | 76 | #4 | 3 | 3'-5" | 173 |
| S5 | 6 | #4 | 2 | 8'-5" | 34 |
| S6 | 1 | #4 | 2 | 9'-11" | 7 |
| *S7 | 6 | #5 | STR | 3'-8" | 23 |
| S8 | 4 | #4 | 2 | 8'-7" | 23 |
| S9 | 1 | #3 | STR | 1'-10" | 1 |

* NOTE: S7 BARS SHALL BE BENT BEFORE SHIPMENT. HEAT BENDING SHALL NOT BE ALLOWED.

BAR TYPES
 ALL BAR DIMENSIONS ARE OUT-TO-OUT



PLAN OF GIRDER



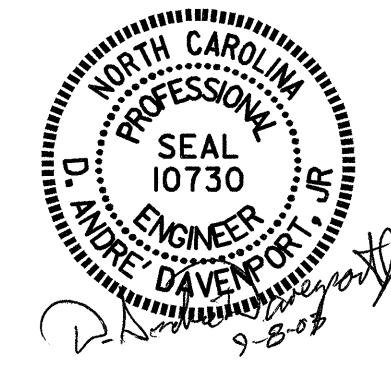
ELEVATION OF GIRDER

| QUANTITIES FOR ONE GIRDER | | | |
|---------------------------|-------------------|---------------------|---------------------|
| INT/EXT GIRDER | REINFORCING STEEL | 6000.0 PSI CONCRETE | 1/2" Ø L.R. STRANDS |
| | LB. | C.Y. | No. |
| | 947 | 18.6 | 44 |

| GIRDERS REQUIRED | | |
|------------------|--------|--------------|
| NUMBER | LENGTH | TOTAL LENGTH |
| 4 | 91.67 | 366.67 |

PROJECT NO. B-4334
 DAVIDSON COUNTY
 STATION: 27+49.00 -L-
 SHEET 3 OF 4

STATE OF NORTH CAROLINA
 DEPARTMENT OF TRANSPORTATION
 RALEIGH
 AASHTO TYPE IV
 PRESTRESSED CONCRETE GIRDER
 CONTINUOUS FOR LIVE LOAD
 SPAN C



| | | |
|------------------------------|--------------------|---------------|
| ASSEMBLED BY : M. M. P. /DAD | DATE : 10/1/02 | CADD STANDARD |
| CHECKED BY : H. T. BARBOUR | DATE : 11/02 | |
| DRAWN BY : RB 2/97 | REV. 10/99 MAB/LES | |
| CHECKED BY : VP 2/97 | | |

| REVISIONS | | | | | | SHEET NO. S-12 |
|-----------|-----|-------|-----|-----|-------|--------------------|
| NO. | BY: | DATE: | NO. | BY: | DATE: | |
| 1 | | | 3 | | | TOTAL SHEETS 34 |
| 2 | | | 4 | | | |