

NOTES

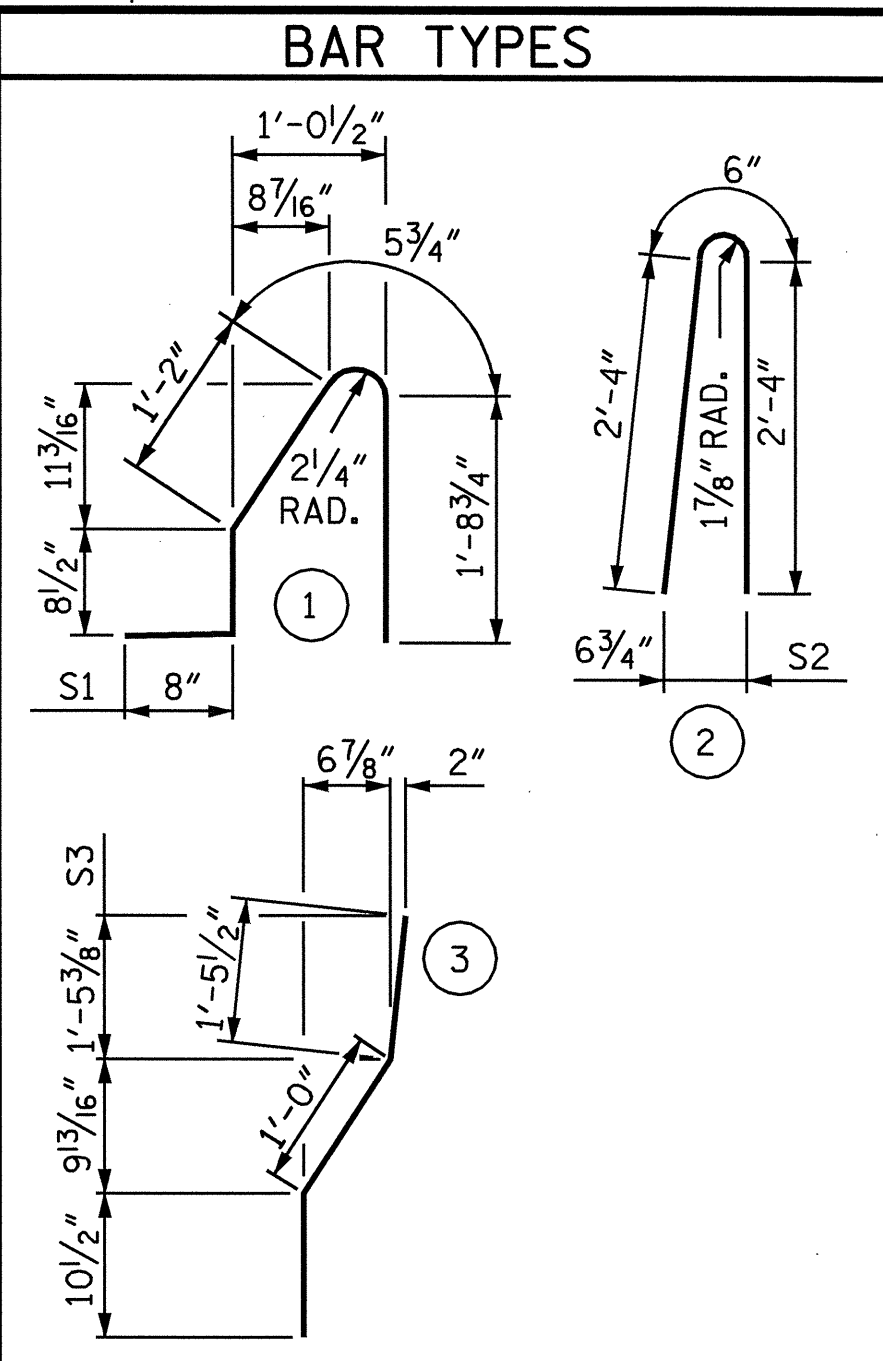
BARRIER RAIL IN A CONTINUOUS UNIT SHALL NOT BE CAST UNTIL ALL SLAB CONCRETE IN THE UNIT HAS BEEN CAST AND HAS REACHED A MINIMUM COMPRESSIVE STRENGTH OF 3,000 PSI.

ALL REINFORCING STEEL IN BARRIER RAILS SHALL BE EPOXY COATED.

WHEN EVAZOTE JOINT SEAL IS REQUIRED, THE JOINT IN THE DECK SHALL BE SAWED PRIOR TO THE CASTING OF THE BARRIER RAIL.

THE #5S3 AND #5S4 BARS SHALL BE INSTALLED, USING AN ADHESIVE ANCHORING SYSTEM, AFTER SAWING THE JOINT. FOR ADHESIVELY ANCHORED ANCHOR BOLTS OR DOWELS, SEE SPECIAL PROVISIONS. THE YIELD LOAD FOR THE #5S3 AND #5S4 BARS IS 18.6 KIPS. FIELD TESTING FOR THE ADHESIVE BONDING SYSTEM IS NOT REQUIRED.

VERTICAL GROOVED CONTRACTION JOINTS, 1/2" IN DEPTH, SHALL BE TOOLED IN ALL EXPOSED FACES OF THE BARRIER RAIL AND IN ACCORDANCE WITH ARTICLE 825-10(B) OF THE STANDARD SPECIFICATIONS. THE CONTRACTION JOINT SHALL BE LOCATED AT EACH THIRD POINT BETWEEN BARRIER RAIL EXPANSION JOINTS. ONLY ONE CONTRACTION JOINT IS REQUIRED AT MIDPOINT OF BARRIER RAIL SEGMENTS LESS THAN 20 FEET IN LENGTH AND NO CONTRACTION JOINTS ARE REQUIRED FOR THOSE SEGMENTS LESS THAN 10 FEET IN LENGTH.



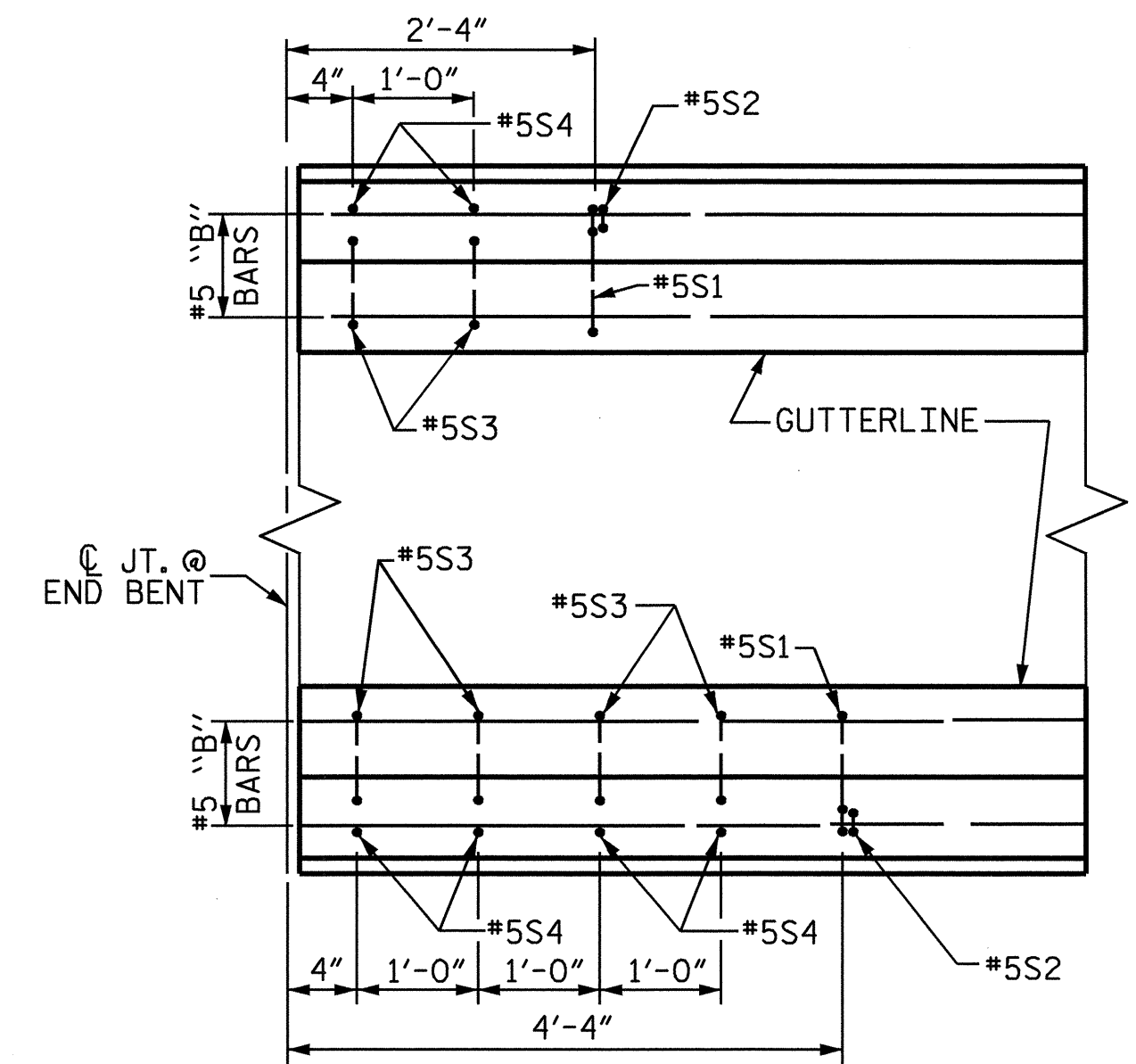
ALL BAR DIMENSIONS ARE OUT TO OUT

BILL OF MATERIAL

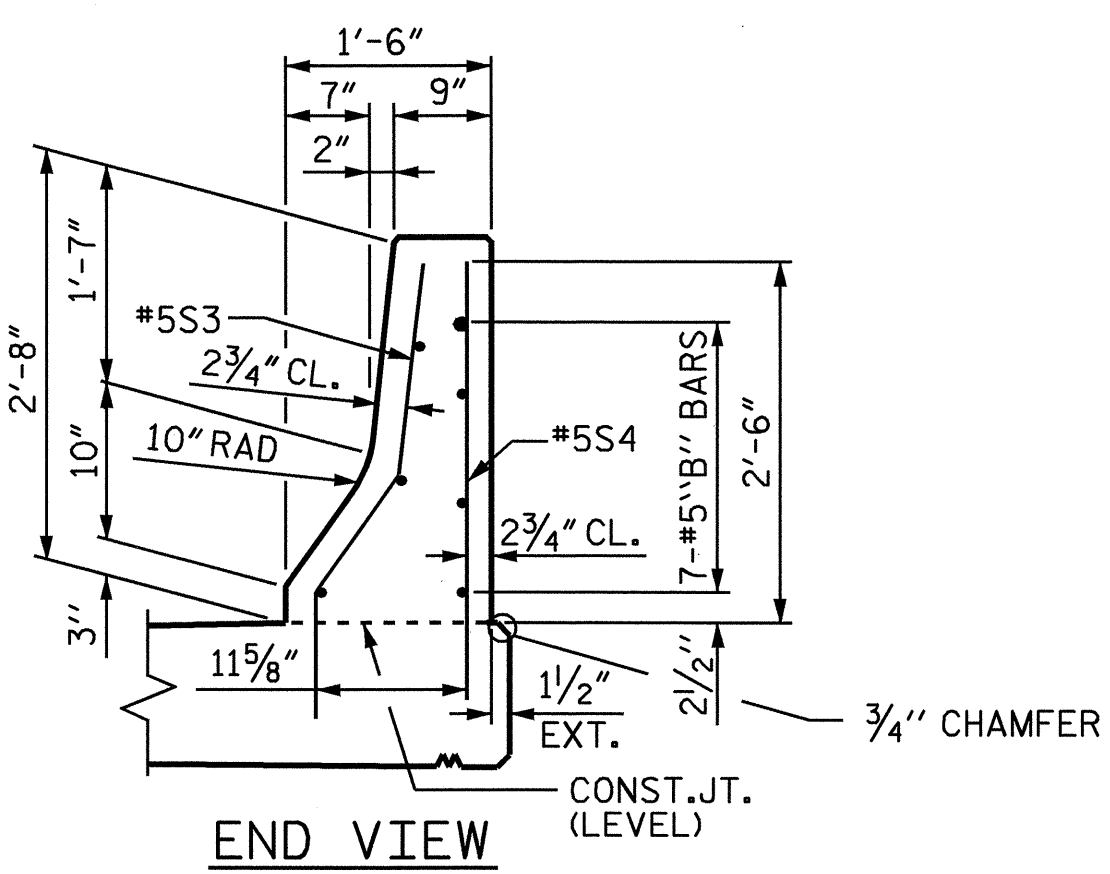
FOR CONCRETE BARRIER RAIL ONLY					
BAR	NO.	SIZE	TYPE	LENGTH	WEIGHT
* S1	446	#5	1	4'-9"	2210
* S2	446	#5	2	5'-2"	2403
* S3	12	#5	3	3'-4"	42
* S4	12	#5	STR	3'-2"	40
* B1	28	#5	STR	21'-7"	630
* B2	98	#5	STR	22'-9"	2325
* B3	14	#5	STR	22'-7"	330
* EPOXY COATED REINFORCING STEEL					7980 LBS.
CLASS AA CONCRETE					45.8 CU. YDS.
CONCRETE BARRIER RAIL					457.60 LIN. FT.

PLAN

** SEE "END OF RAIL DETAILS-PLAN VIEW" FOR ADDITIONAL REINFORCING STEEL.



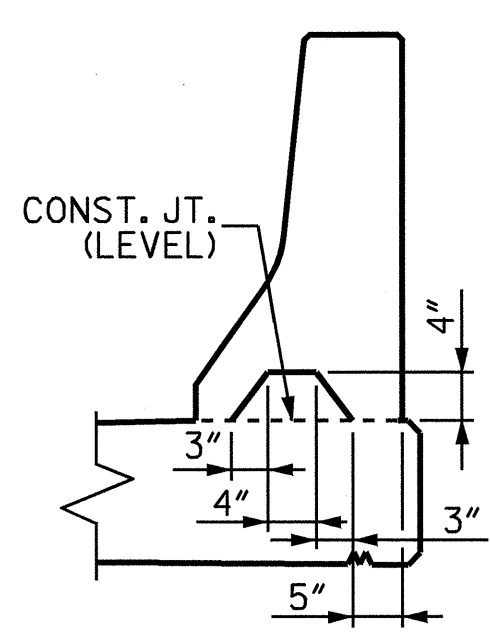
PLAN



END VIEW

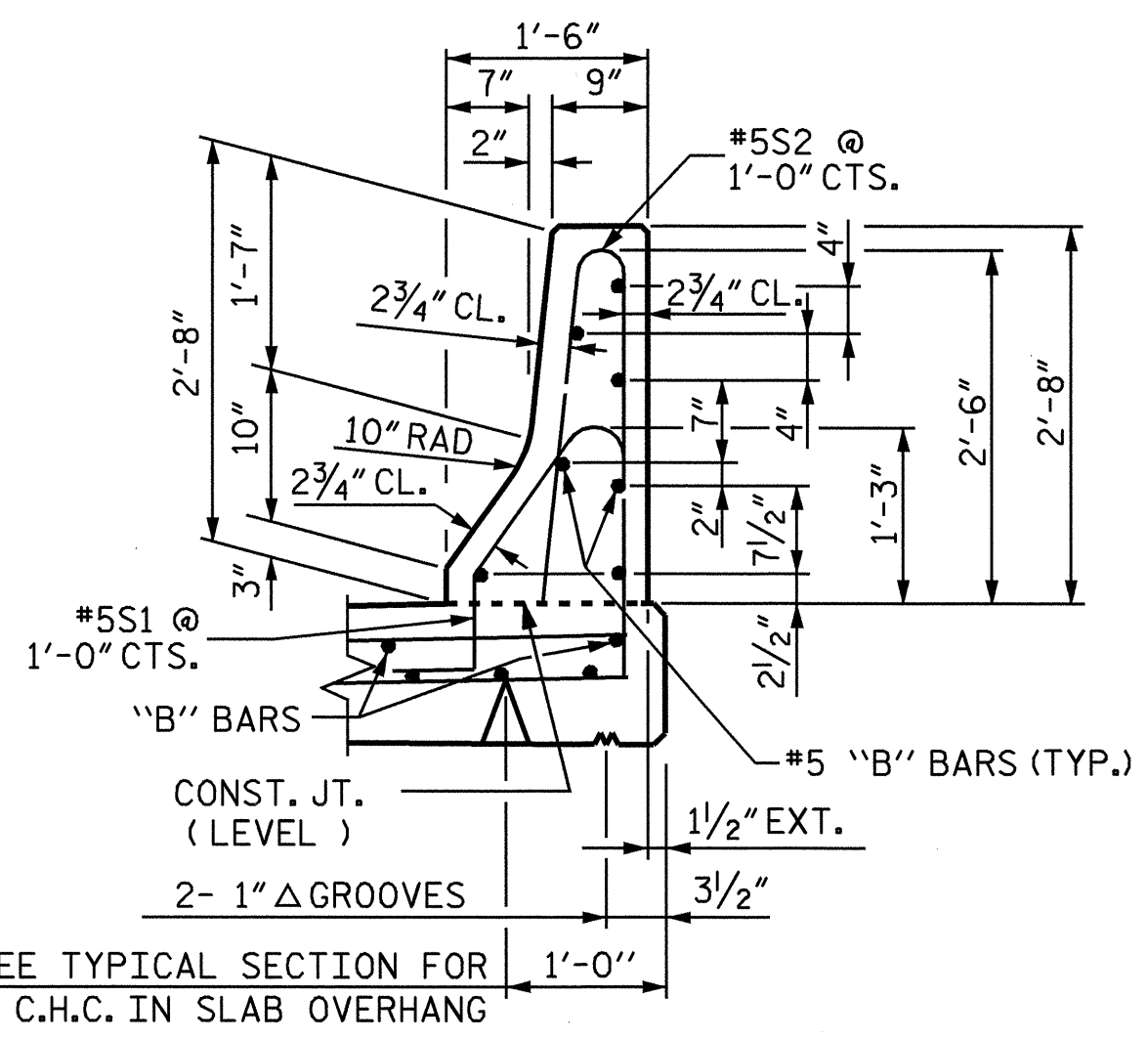
END OF RAIL DETAILS

FOR ADHESIVE ANCHORING AT SAWED JOINTS



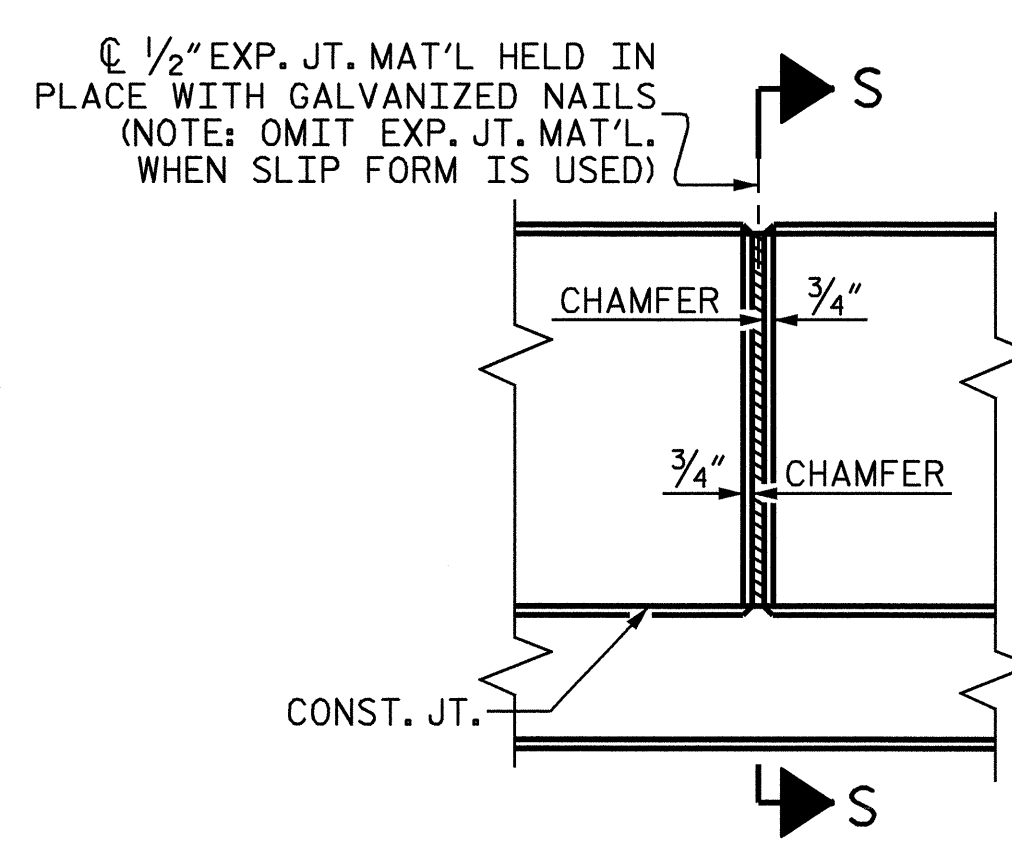
SECTION S-S

@ DAM IN OPEN JOINT (THIS IS TO BE USED ONLY WHEN SLIP FORM IS USED)



SECTION THRU RAIL

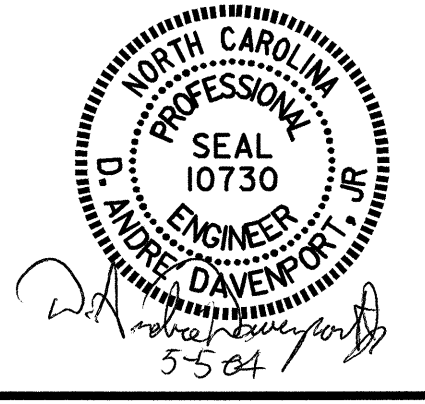
SEE TYPICAL SECTION FOR C.H.C. IN SLAB OVERHANG



ELEVATION @ EXPANSION JOINTS

BARRIER RAIL DETAILS

ASSEMBLED BY : M. M. P. / DAD	DATE : 10/9/02
CHECKED BY : H. T. BARBOUR	DATE : 11/02
DRAWN BY : ARB 5/87	REV. 7/17/98 RWW/LES
CHECKED BY : SJD 9/87	REV. 8/16/99 RWW/LES
	REV. 10/17/00R RWW/LES



PROJECT NO. B-4334
DAVIDSON COUNTY
 STATION: 27+49.00 -L-

STATE OF NORTH CAROLINA DEPARTMENT OF TRANSPORTATION RALEIGH					
STANDARD					
CONCRETE BARRIER RAIL					
REVISIONS					SHEET NO.
NO.	BY:	DATE:	NO.	BY:	DATE:
1			3		
2			4		
TOTAL SHEETS					34
					S-15