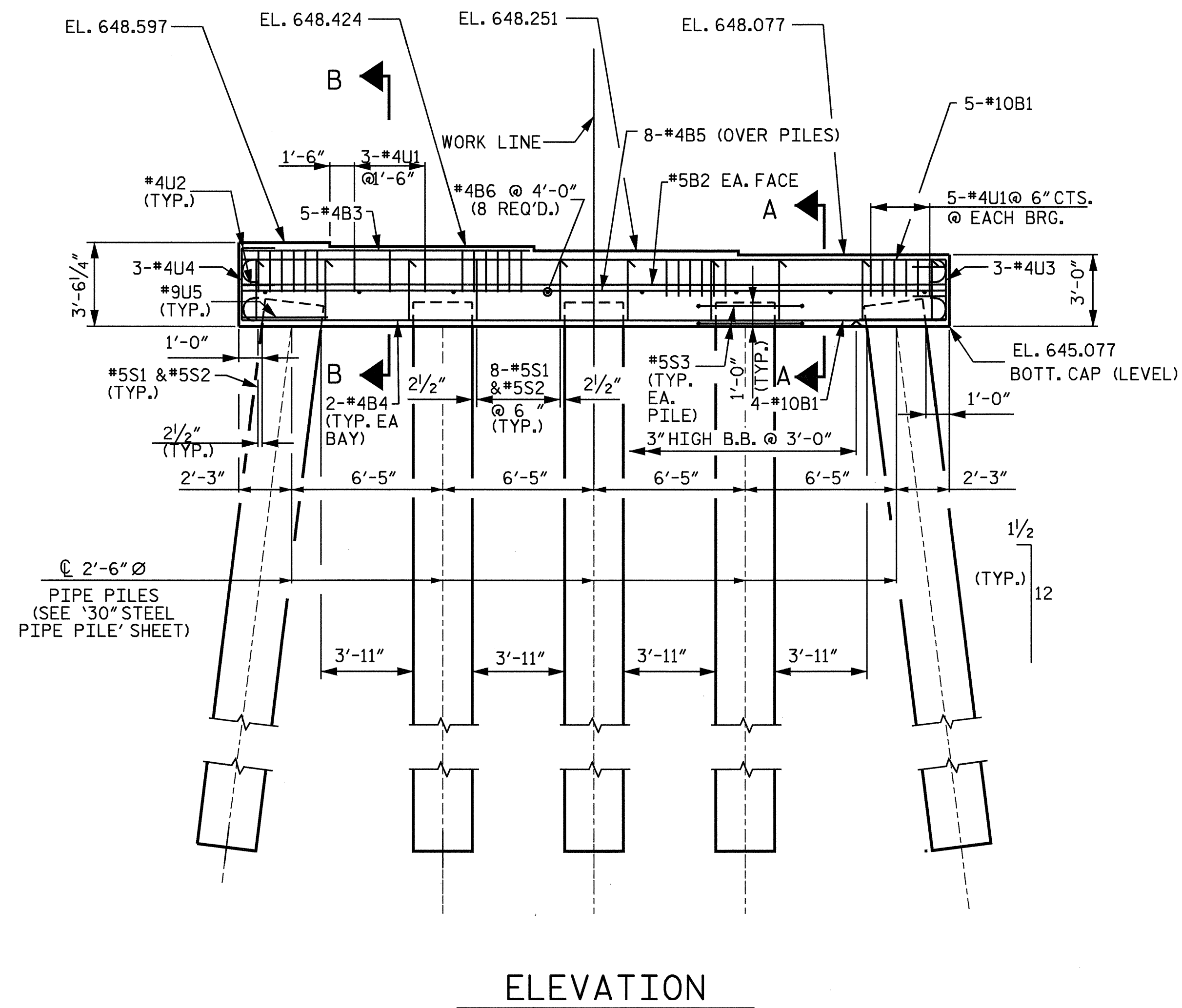
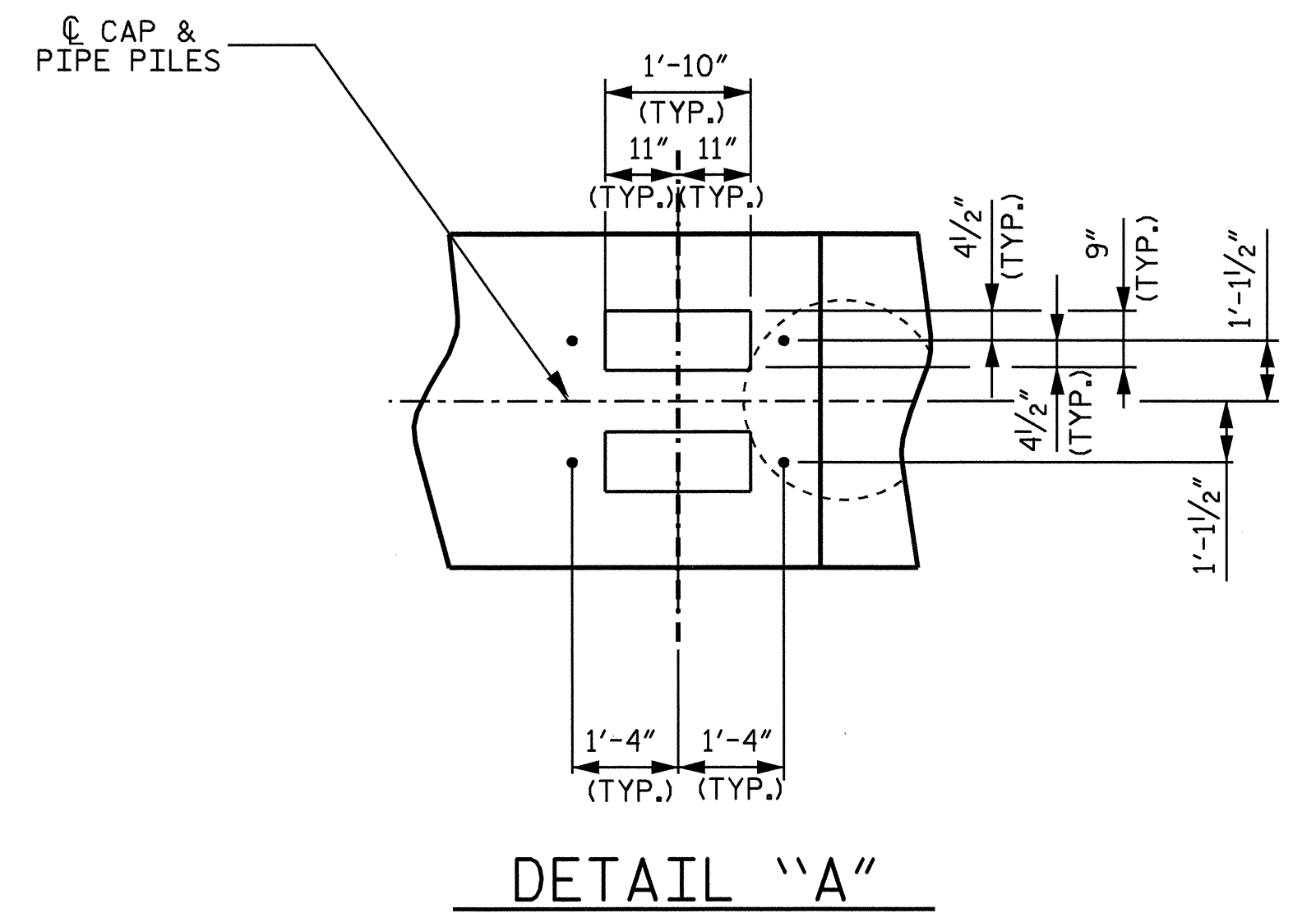


NOTES
STIRRUPS IN CAP MAY BE SHIFTED AS NECESSARY TO CLEAR ANCHOR BOLTS.
INSTALLATION OF PILES UTILIZING JETTING WILL NOT BE ALLOWED.

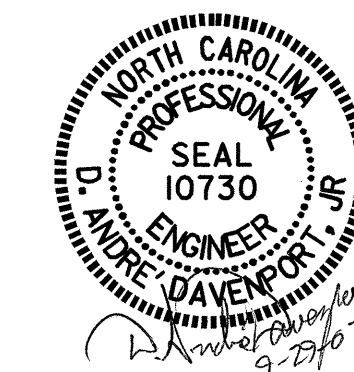


PROJECT NO. B-4334
DAVIDSON COUNTY
STATION: 27+49.00 -L-

SHEET 1 OF 2

STATE OF NORTH CAROLINA
DEPARTMENT OF TRANSPORTATION
RALEIGH

SUBSTRUCTURE
BENT #2



REVISIONS						SHEET NO.
NO.	BY:	DATE:	NO.	BY:	DATE:	5-22
1			3			TOTAL SHEETS
2			4			34

DRAWN BY : D.A. DAVENPORT DATE : 9-03
CHECKED BY : G.W. DICKEY DATE : 9-03