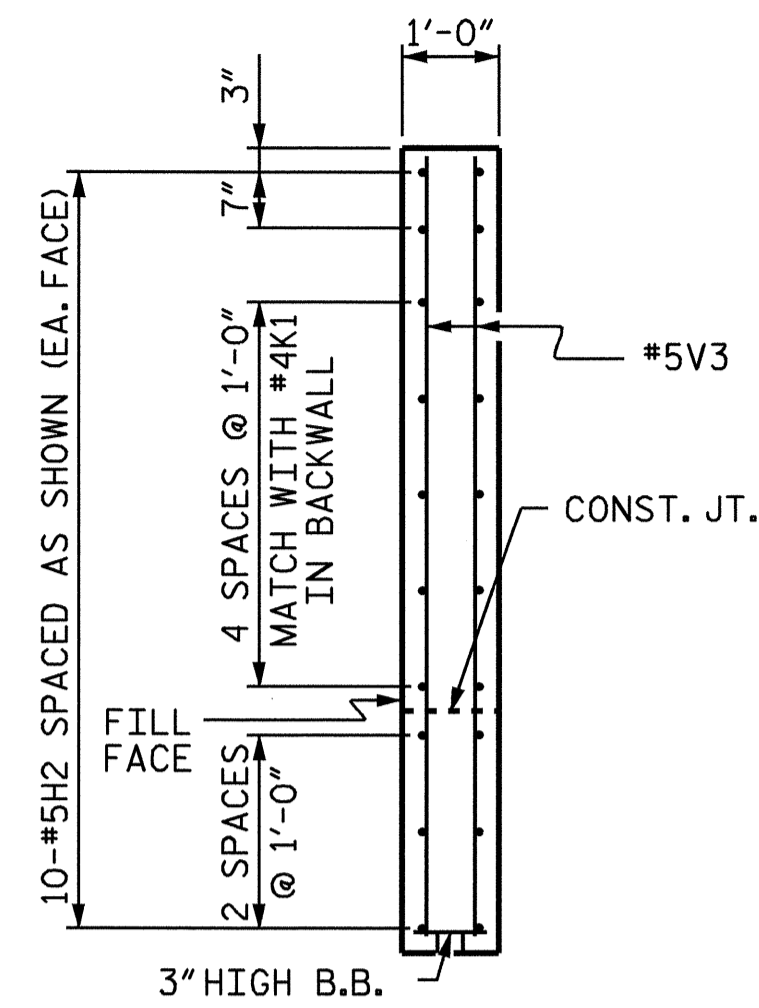
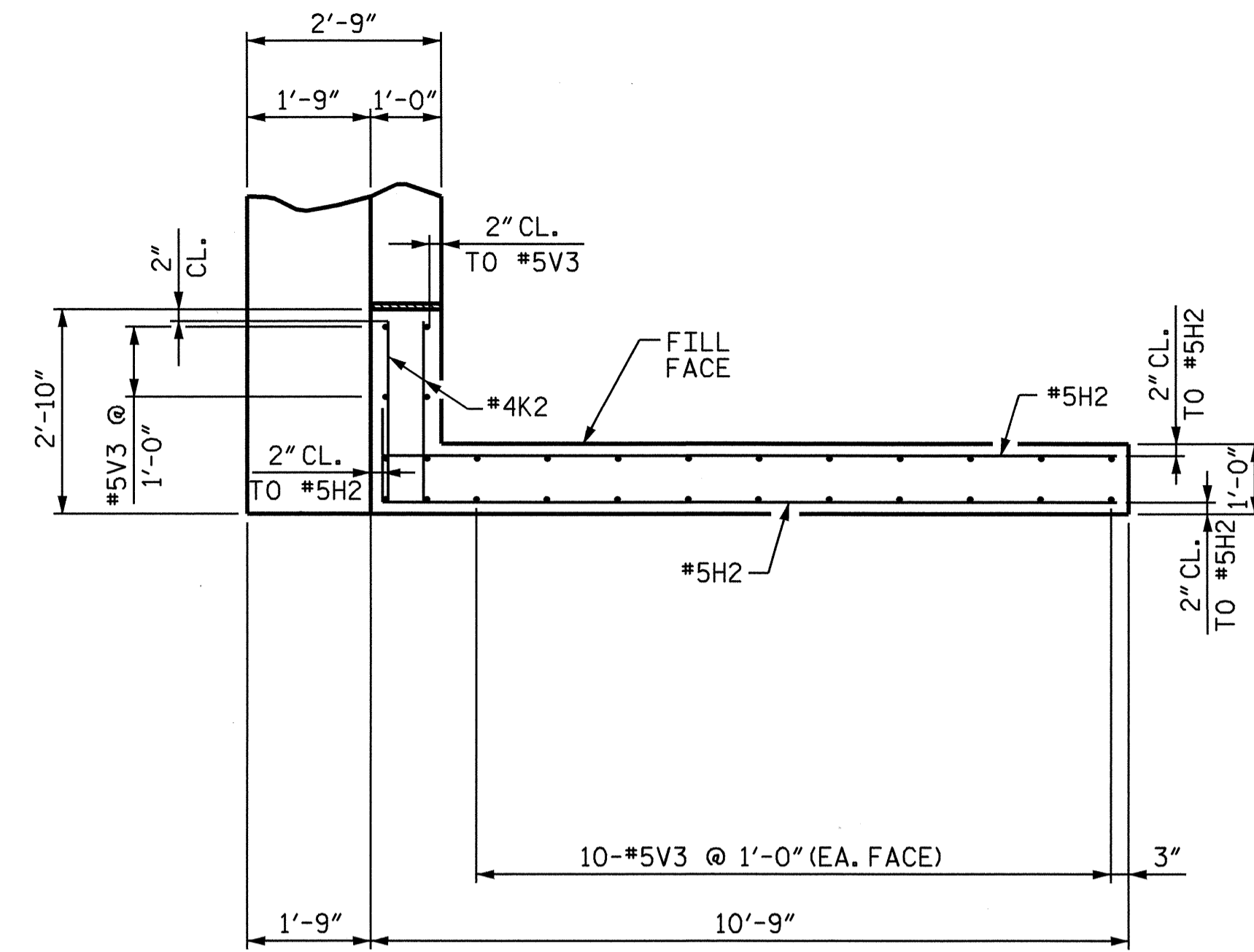


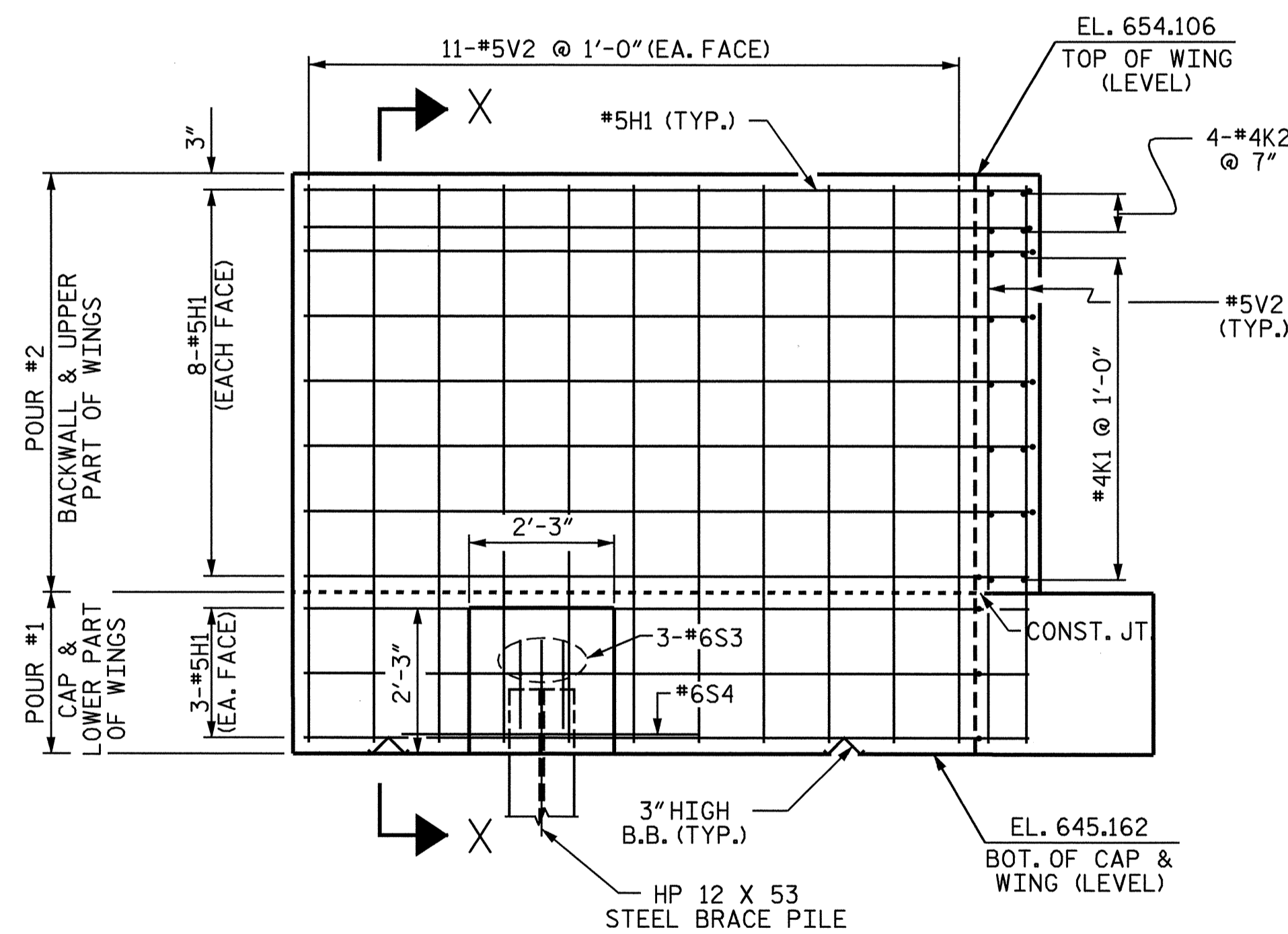
PLAN OF LEFT WING - W1



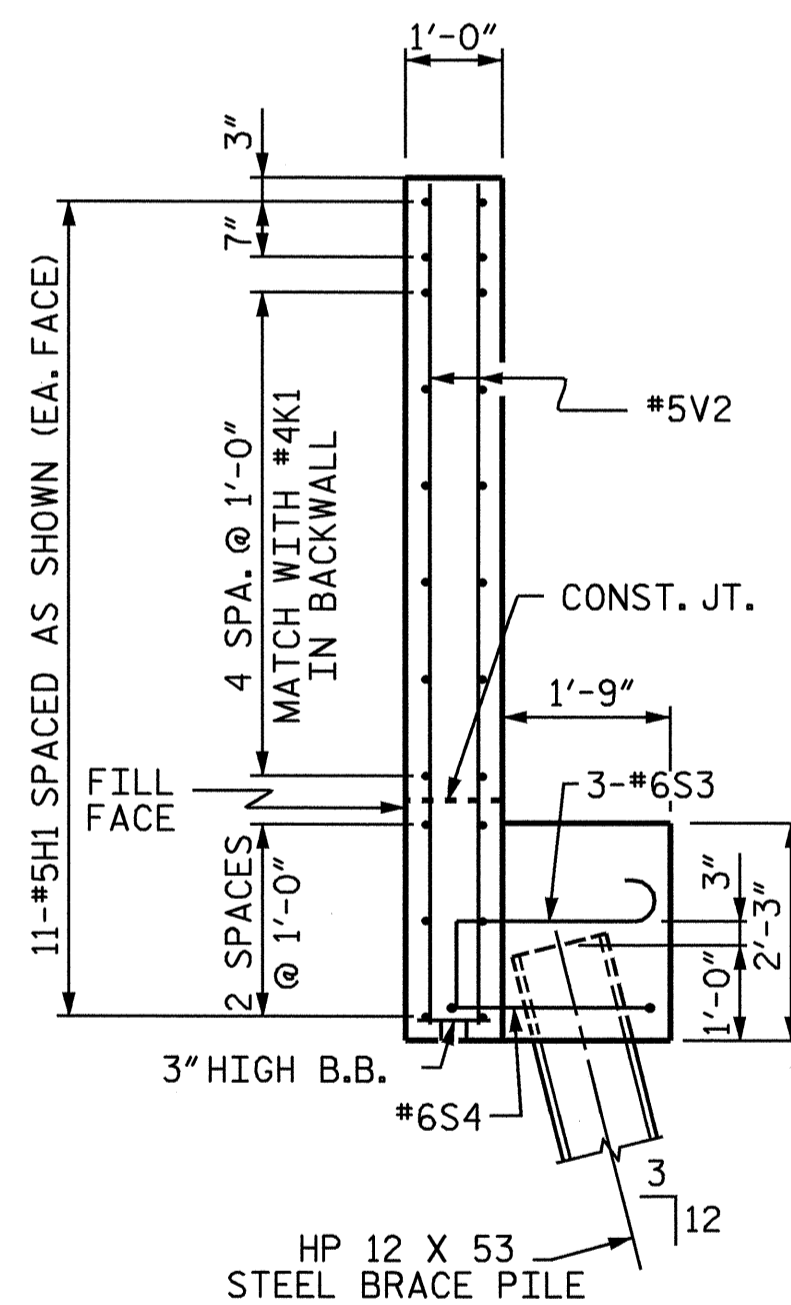
SECTION Y-Y



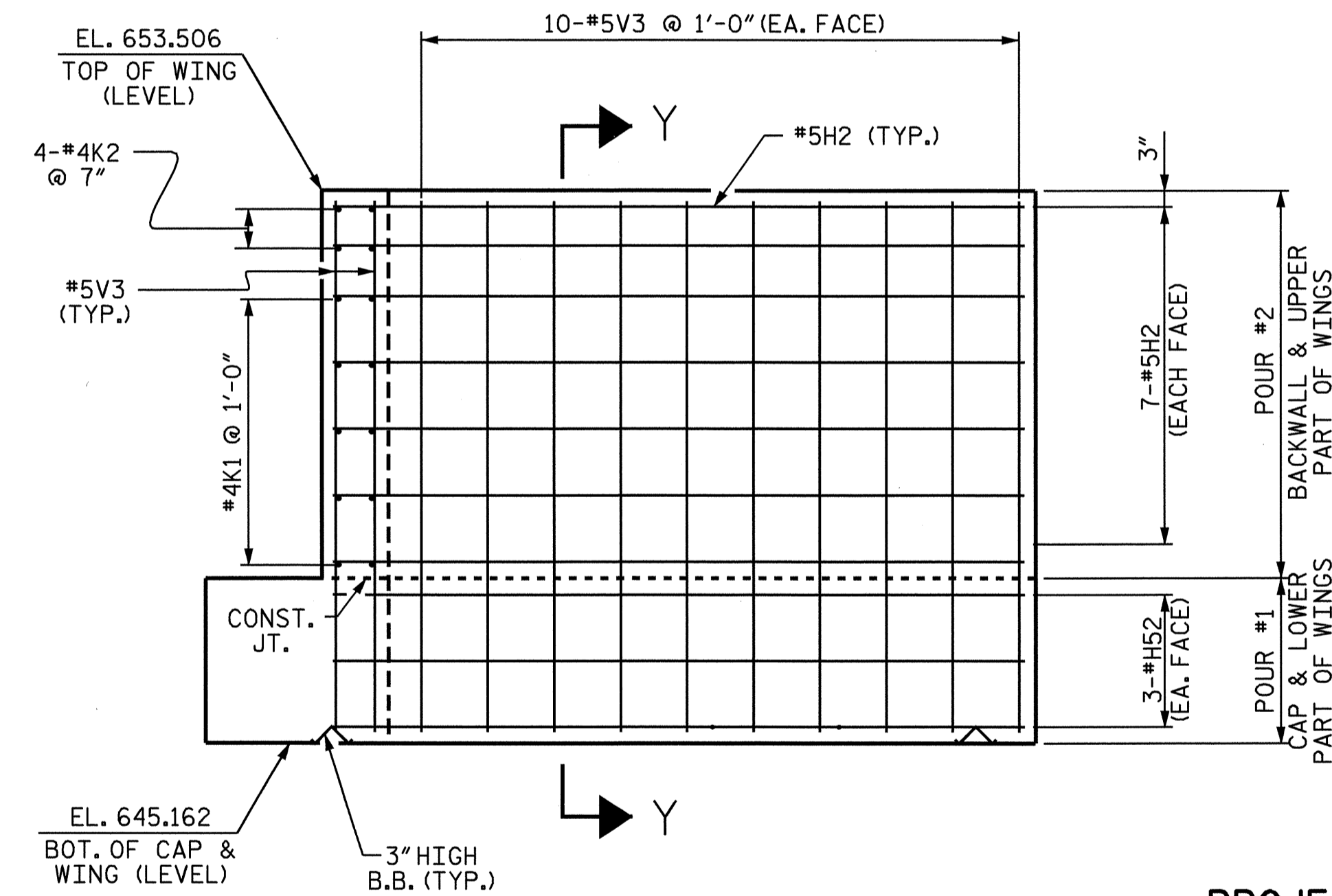
PLAN OF RIGHT WING - W2



ELEVATION OF LEFT WING - W1



SECTION X-X



ELEVATION OF RIGHT WING - W2

PROJECT NO. B-4334
DAVIDSON COUNTY
 STATION: 27+49.00 -L-

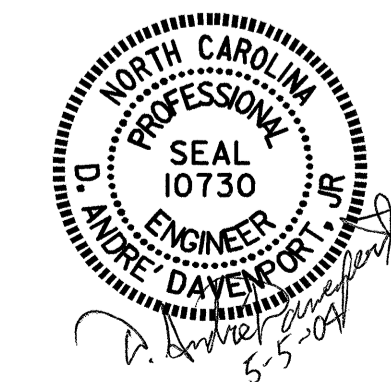
SHEET 2 OF 3

STATE OF NORTH CAROLINA
 DEPARTMENT OF TRANSPORTATION
 RALEIGH

SUBSTRUCTURE
 END BENT #2

REVISIONS						TOTAL SHEETS
NO.	BY:	DATE:	NO.	BY:	DATE:	
1			3			34
2			4			

SHEET NO. S-25



DRAWN BY : D. G. ELY / DAD DATE : 4/03
 CHECKED BY : D.A. DAVENPORT DATE : 9/03