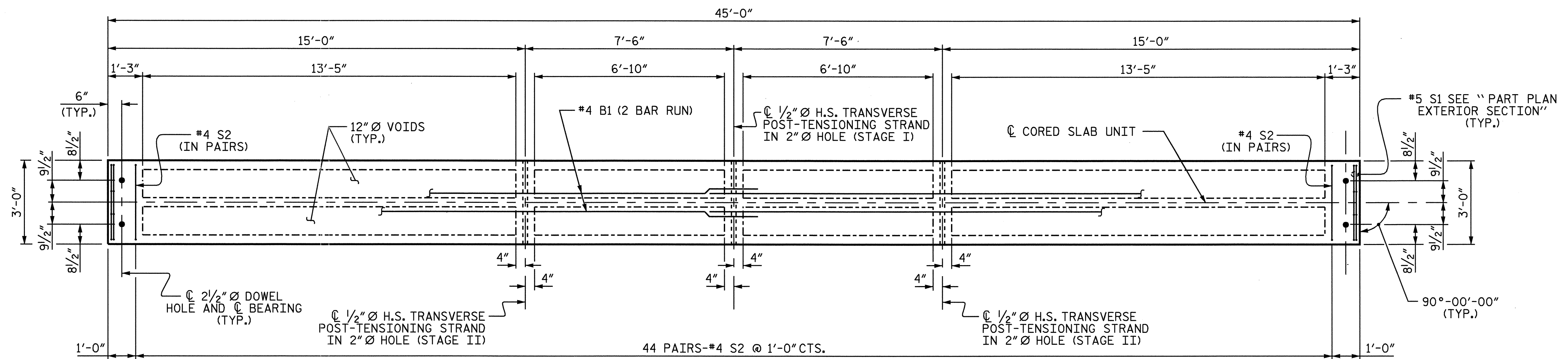
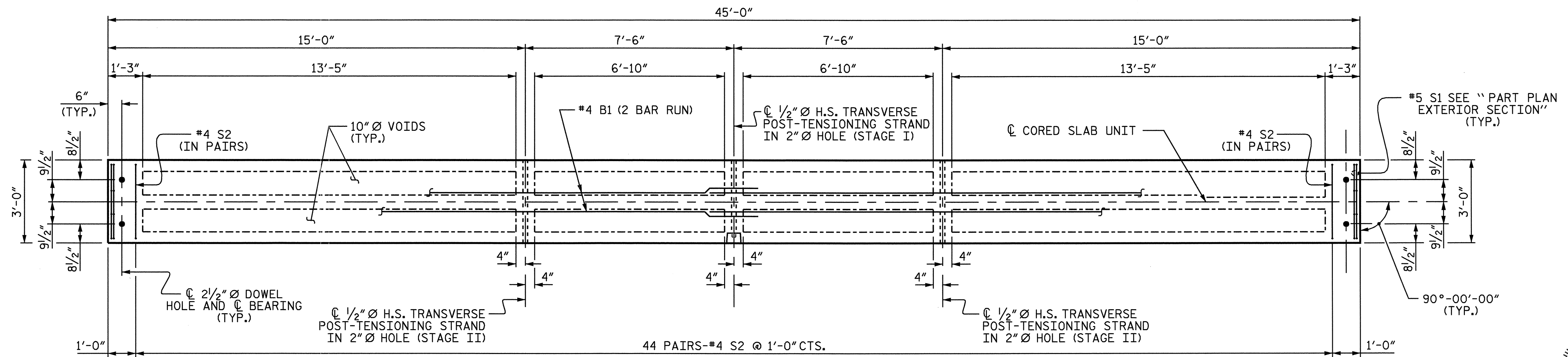


PLAN OF EXTERIOR SLAB - TYPE I UNIT



PLAN OF INTERIOR SLAB - TYPE II UNIT



PLAN OF INTERIOR SLAB - TYPE III UNIT

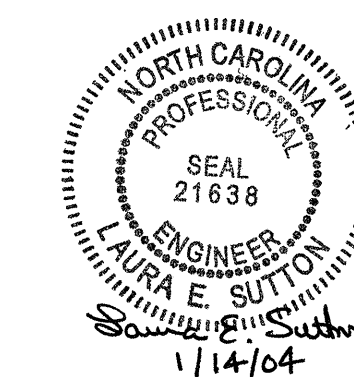
FOR LOCATION AND SPACING OF STRUCTURAL CONCRETE ANCHOR ASSEMBLIES FOR TEMPORARY BARRIER RAIL,
SEE "TEMPORARY BARRIER RAIL ANCHORAGE DETAILS FOR TYPE III CORED SLAB UNIT" SHEET.

SPlice LENGTH CHART		
BAR	SIZE	SPlice LENGTH
B1	#4	2'-0"

PROJECT NO. B-3626
CARTERET COUNTY
 STATION: 20+29.50 -L-

SHEET 1 OF 2

STATE OF NORTH CAROLINA
 DEPARTMENT OF TRANSPORTATION
 RALEIGH
 3'-0" x 1'-9"
 PRESTRESSED CONCRETE
 CORED SLAB UNIT
 DETAILS
 SPANS A & B



REVISIONS						SHEET NO.	
NO.	BY:	DATE:	NO.	BY:	DATE:	S-9	
1			3			TOTAL SHEETS	
2			4			23	

13-JAN-2004 14:05
 W:\Squid\B-3626\bbbarodawala\B3626_scf_CS_01.dgn
 SUTTON

DRAWN BY: B.N.BARODAWALA DATE: 10-30-02
 CHECKED BY: S.H.SOCKWELL DATE: 4-24-03