

CONCRETE INSERT SPACING FOR TEMPORARY BARRIER RAIL - STAGE 1

NOTES

THE STRUCTURAL CONCRETE INSERT ASSEMBLY SHALL CONSIST OF THE FOLLOWING COMPONENTS:

- A. FERRULES SHALL BE MADE FROM STEEL MEETING THE REQUIREMENTS OF AASHTO M169, GRADE 12L14 AND SHALL HAVE A MINIMUM LENGTH OF THREADS OF 1 3/8".
- B. 1 - 7/8" Ø X 8 1/2" BOLT WITH WASHER. BOLT SHALL CONFORM TO THE REQUIREMENTS OF ASTM A307. BOLT AND WASHER SHALL BE GALVANIZED. AT THE CONTRACTORS OPTION, STAINLESS STEEL BOLT AND WASHER MAY BE USED AS AN ALTERNATE FOR THE 7/8" Ø X 8 1/2" GALVANIZED BOLT AND WASHER. THEY SHALL CONFORM TO OR EXCEED THE MECHANICAL REQUIREMENTS OF ASTM A307. THE USE OF THIS ALTERNATE SHALL BE APPROVED BY THE ENGINEER.
- C. WIRE STRUT SHOWN IN THE CONCRETE INSERT ASSEMBLY DETAIL IS THE MINIMUM ALLOWABLE SIZE AND SHALL HAVE A MINIMUM TENSILE STRENGTH OF 100,000 PSI.
- D. STRUCTURAL CONCRETE INSERT ASSEMBLIES SHALL BE HOT-DIP GALVANIZED IN ACCORDANCE WITH AASHTO M111.

THE COST OF THE STRUCTURAL CONCRETE INSERT ASSEMBLY, COMPLETE IN PLACE, SHALL BE INCLUDED IN THE UNIT CONTRACT PRICE BID FOR 3'-0" X 1'-9" PRESTRESSED CONCRETE CORED SLABS.

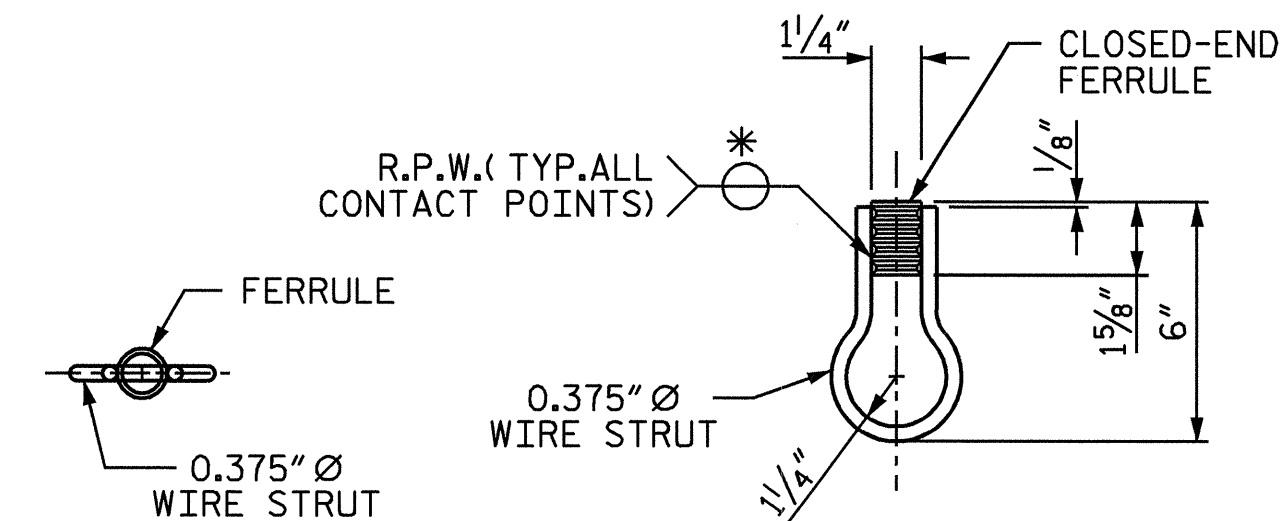
TO FACILITATE PLACEMENT OF STRUCTURAL CONCRETE INSERT ASSEMBLIES, #3 BARS MAY BE TIED TO THE #4 B1 BARS IN THE CORED SLAB UNITS. THE COST OF THE #3 BARS SHALL BE INCLUDED IN THE UNIT CONTRACT PRICE BID FOR 3'-0" X 1'-9" PRESTRESSED CONCRETE CORED SLABS.

STIRRUPS IN THE CORED SLAB UNITS MAY BE SHIFTED SLIGHTLY AS NECESSARY TO CLEAR STRUCTURAL CONCRETE INSERT ASSEMBLIES.

FERRULES TO BE PLUGGED DURING CASTING OF THE CORED SLAB UNITS AS RECOMMENDED BY THE MANUFACTURER.

SEE TRAFFIC CONTROL PLANS FOR TEMPORARY BARRIER RAIL.

AFTER REMOVAL OF TEMPORARY BARRIER RAIL, THE STRUCTURAL CONCRETE INSERTS SHALL BE FILLED WITH GROUT.

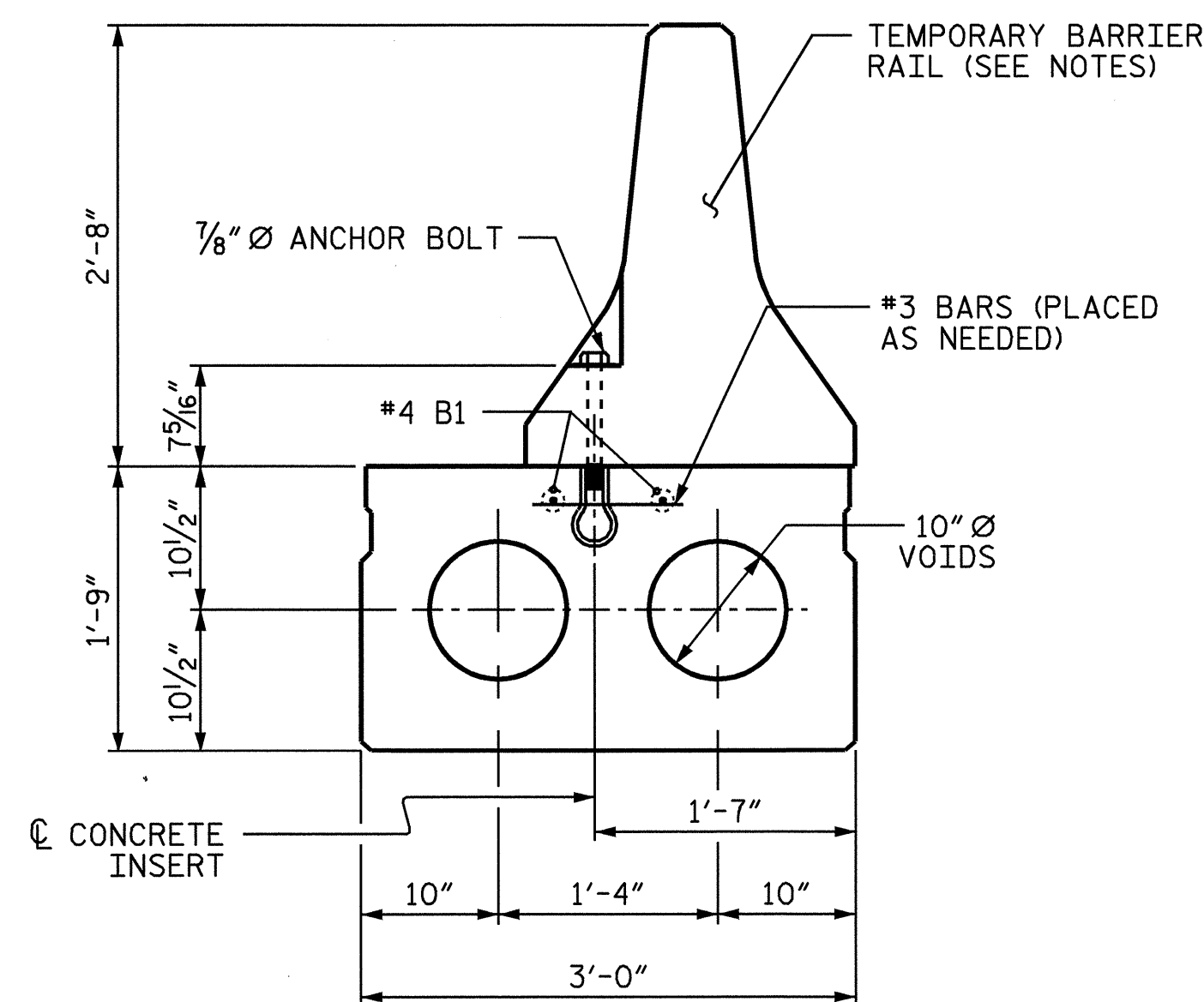


PLAN

ELEVATION

STRUCTURAL CONCRETE INSERT

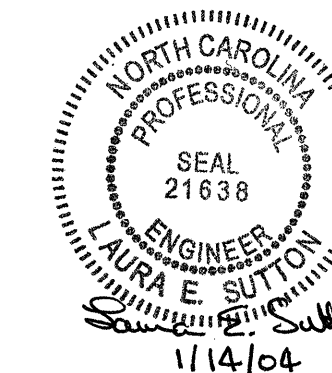
* EACH WELDED ATTACHMENT OF WIRE TO FERRULE SHALL DEVELOP THE TENSILE STRENGTH OF THE WIRE.



SECTION OF CONCRETE INSERT LOCATION

(TYPE III UNIT, STAGE I)

PROJECT NO. B-3626
CARTERET COUNTY
 STATION: 20+29.50-L-



STATE OF NORTH CAROLINA
 DEPARTMENT OF TRANSPORTATION
 RALEIGH
**TEMPORARY BARRIER
 RAIL ANCHORAGE
 DETAILS FOR TYPE III
 CORED SLAB UNIT**

REVISIONS						SHEET NO.
NO.	BY:	DATE:	NO.	BY:	DATE:	TOTAL SHEETS
1			3			S-12
2			4			23

22-DEC-2003 09:54 B:\111001\13626\barodawala\B3626.scd.or_01.dgn

DRAWN BY: B.N.BARODAWALA DATE: 7-17-03
 CHECKED BY: L.E. SUTTON DATE: 12-10-03