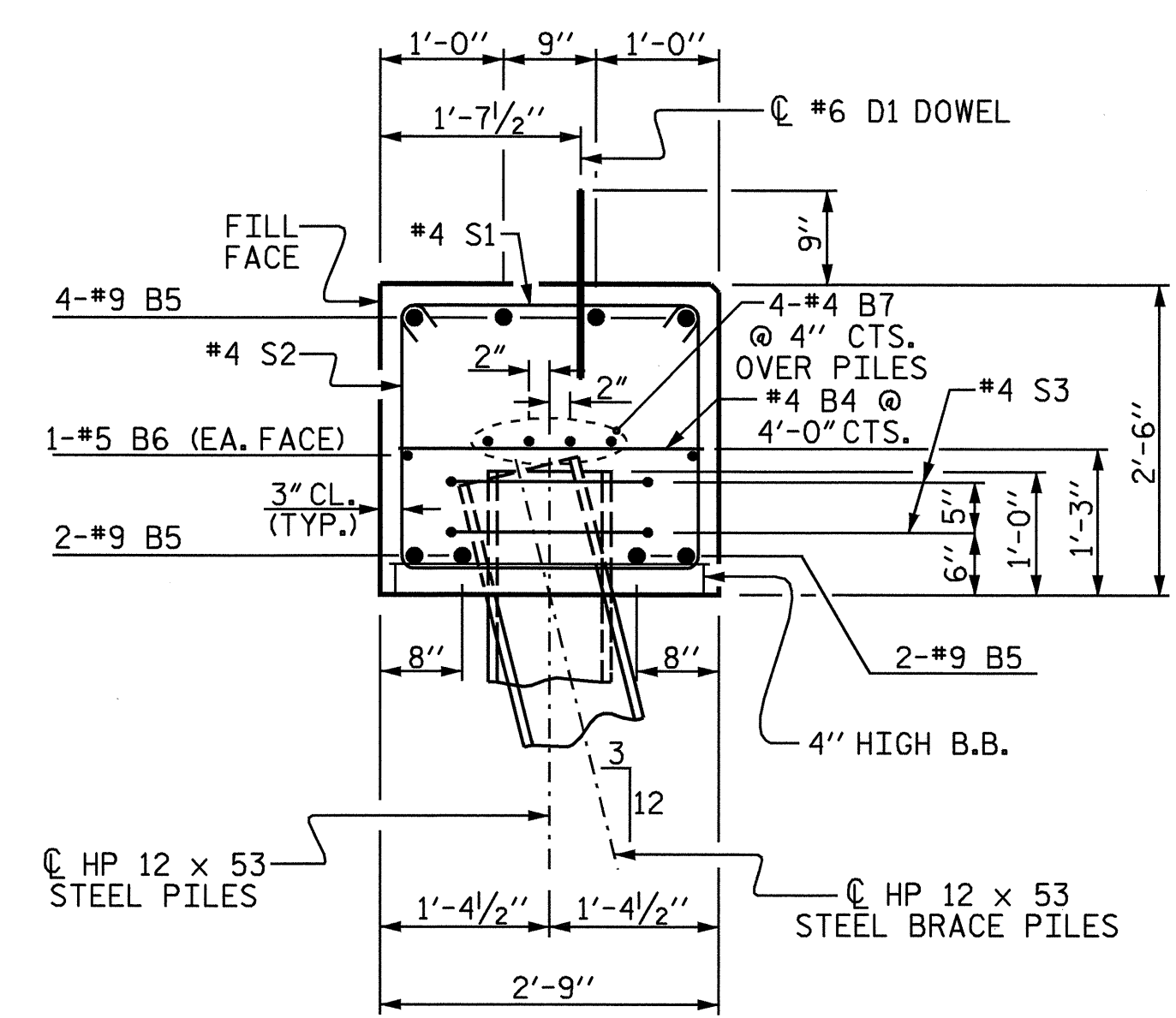
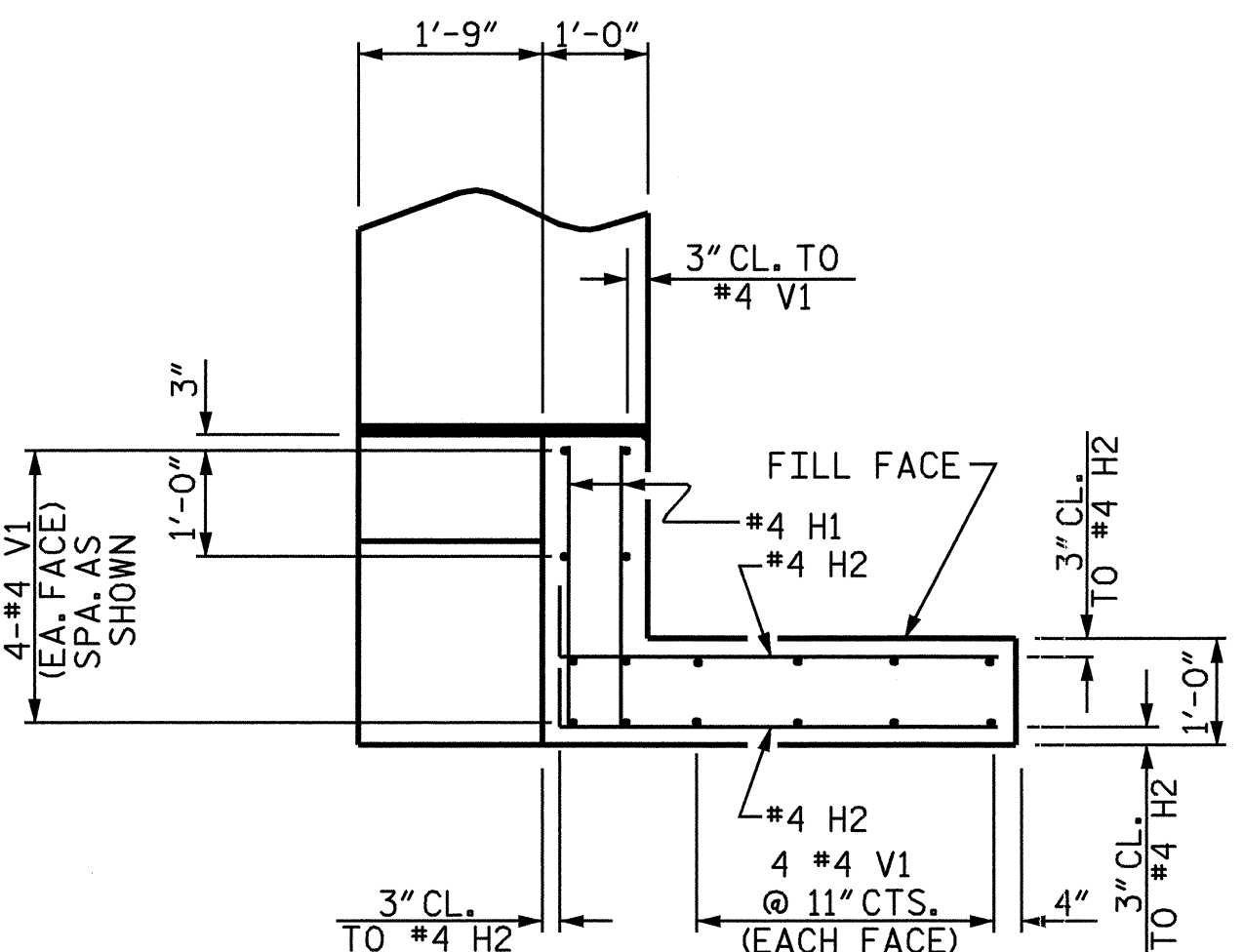


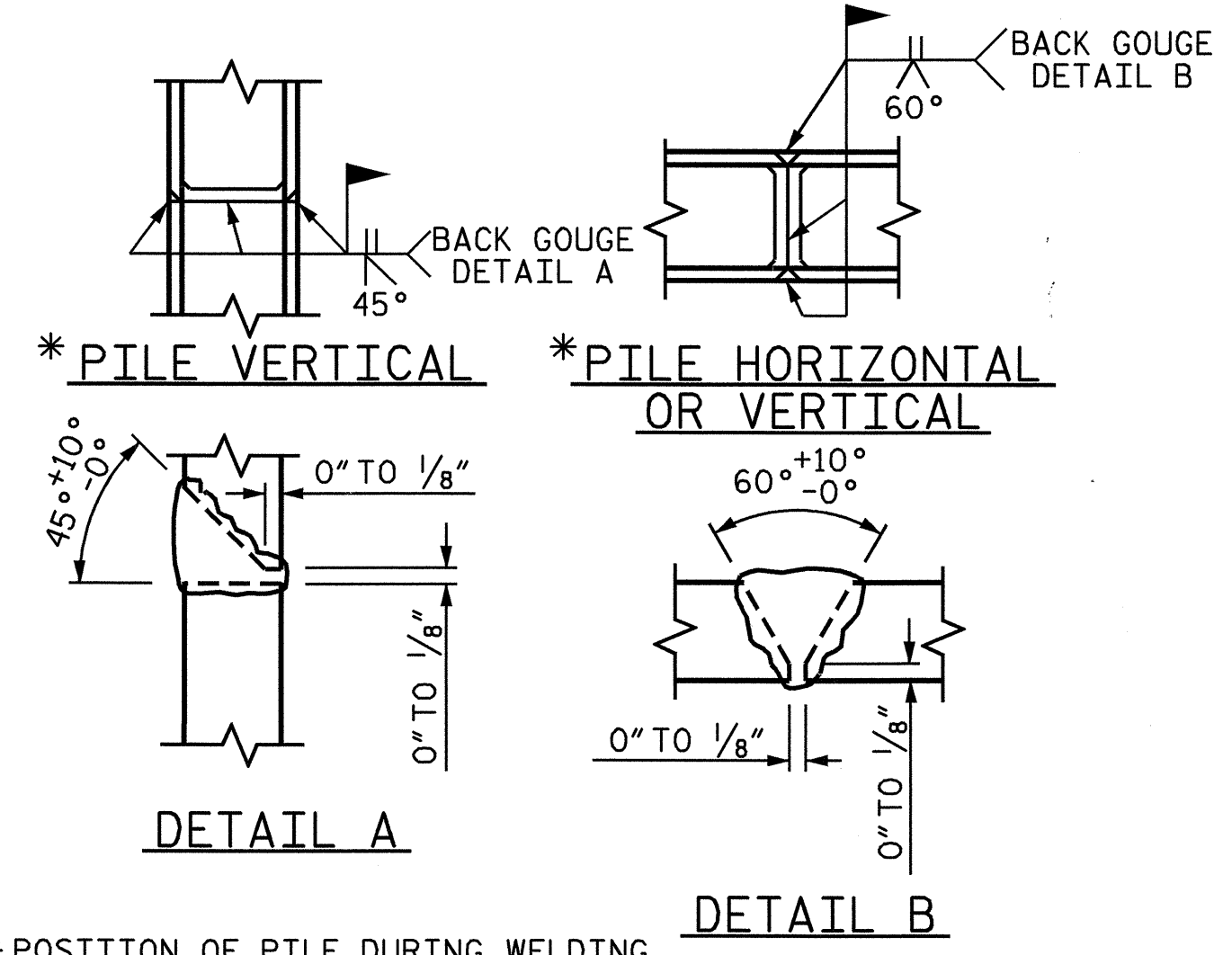
SECTION A-A



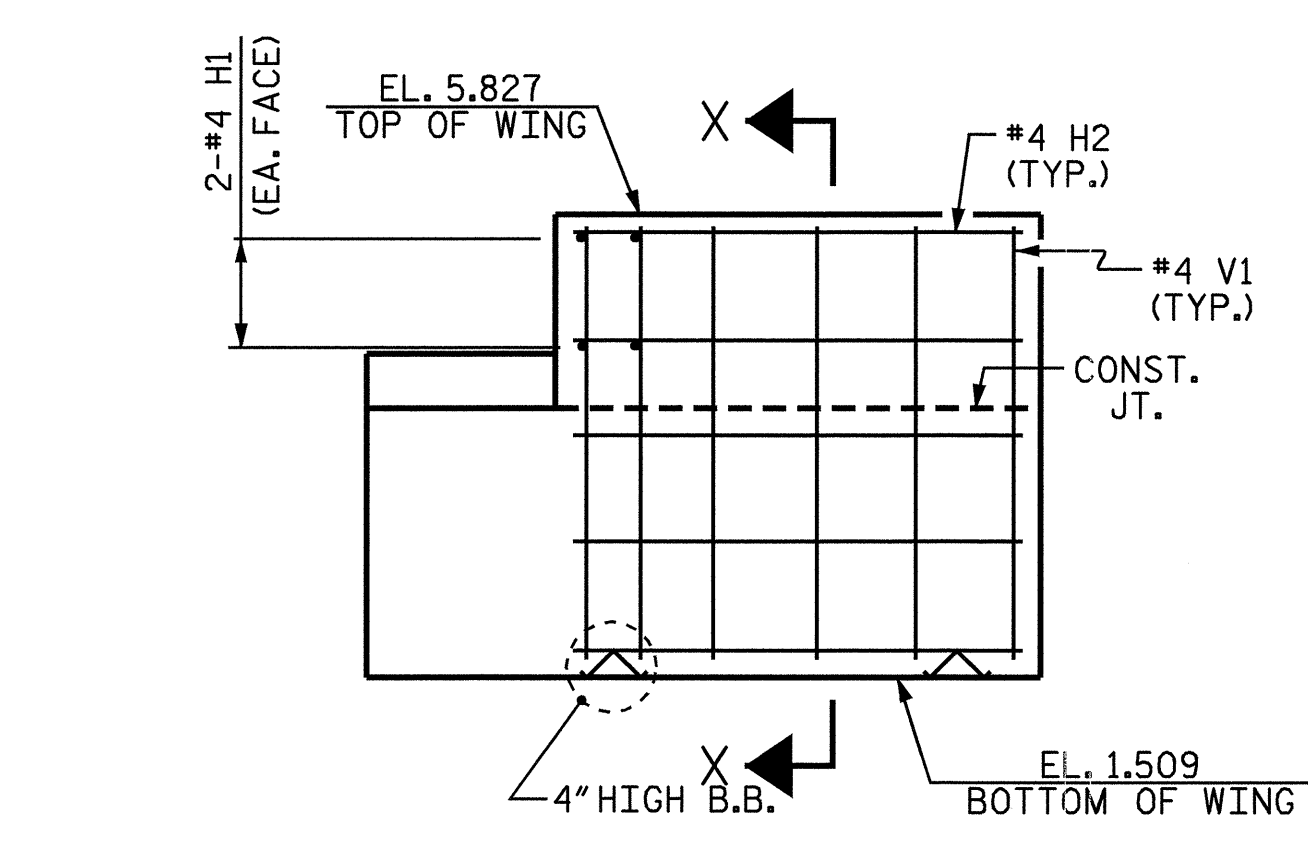
SECTION B-B



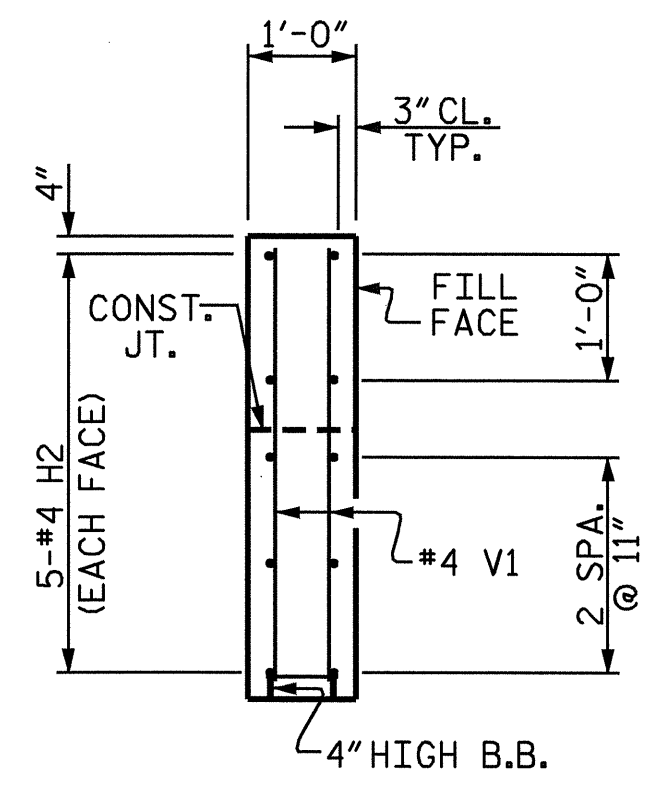
PLAN OF WING



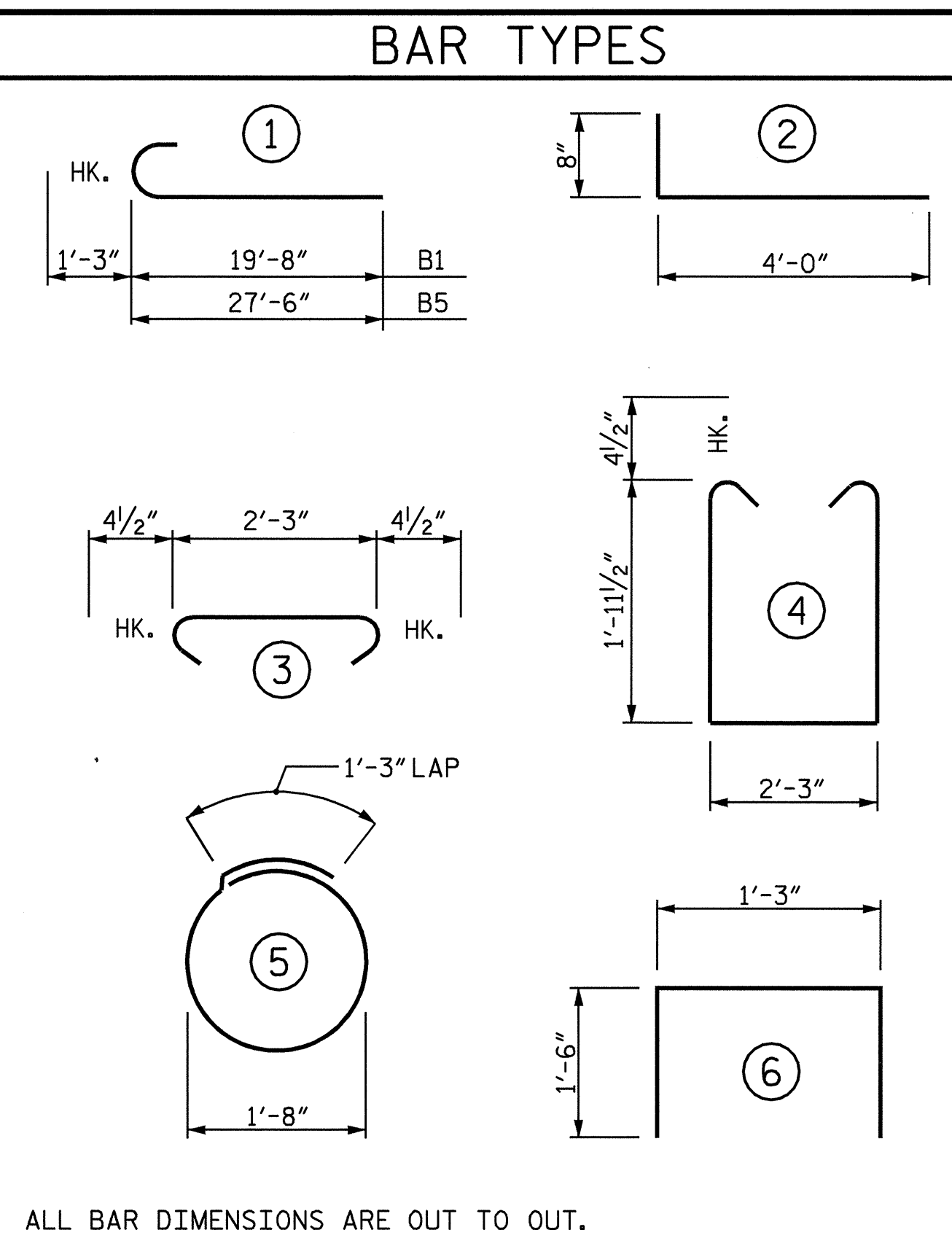
PILE SPLICE DETAILS



ELEVATION OF WING

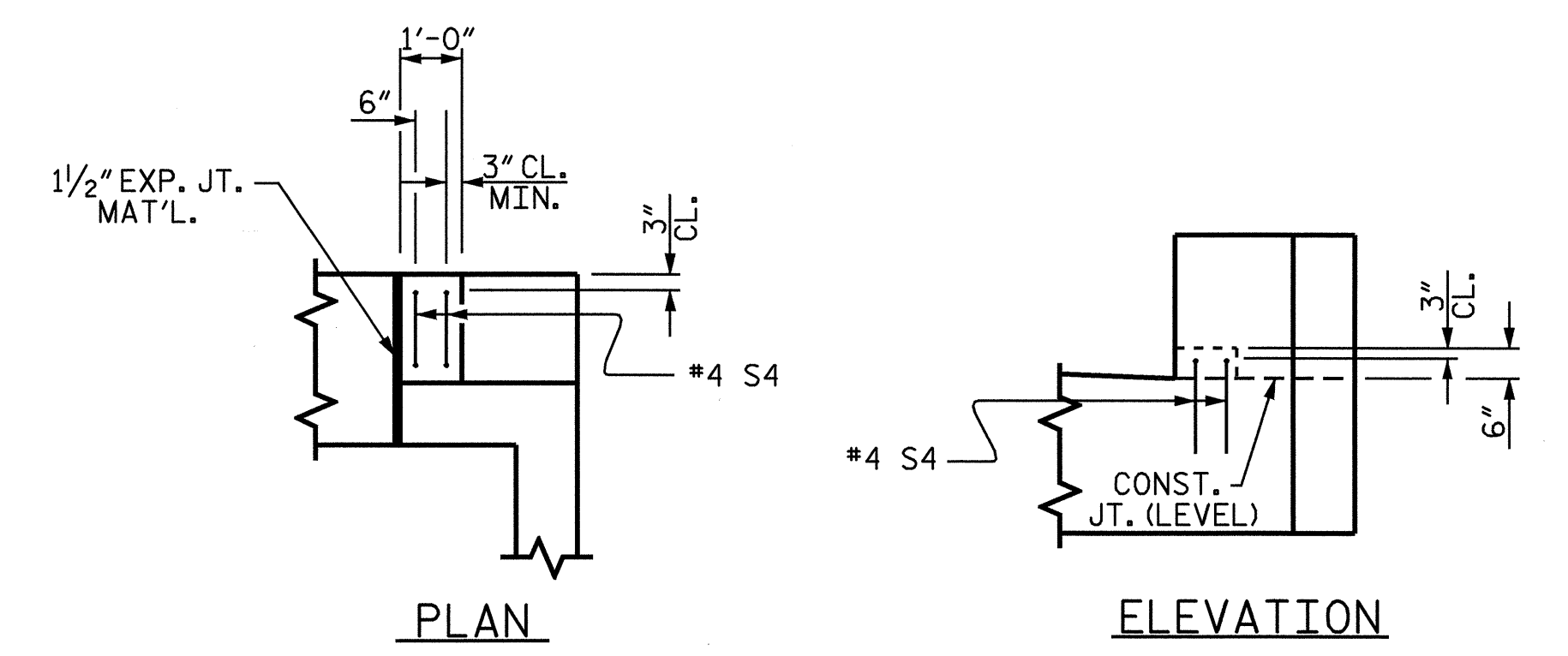


SECTION X-X

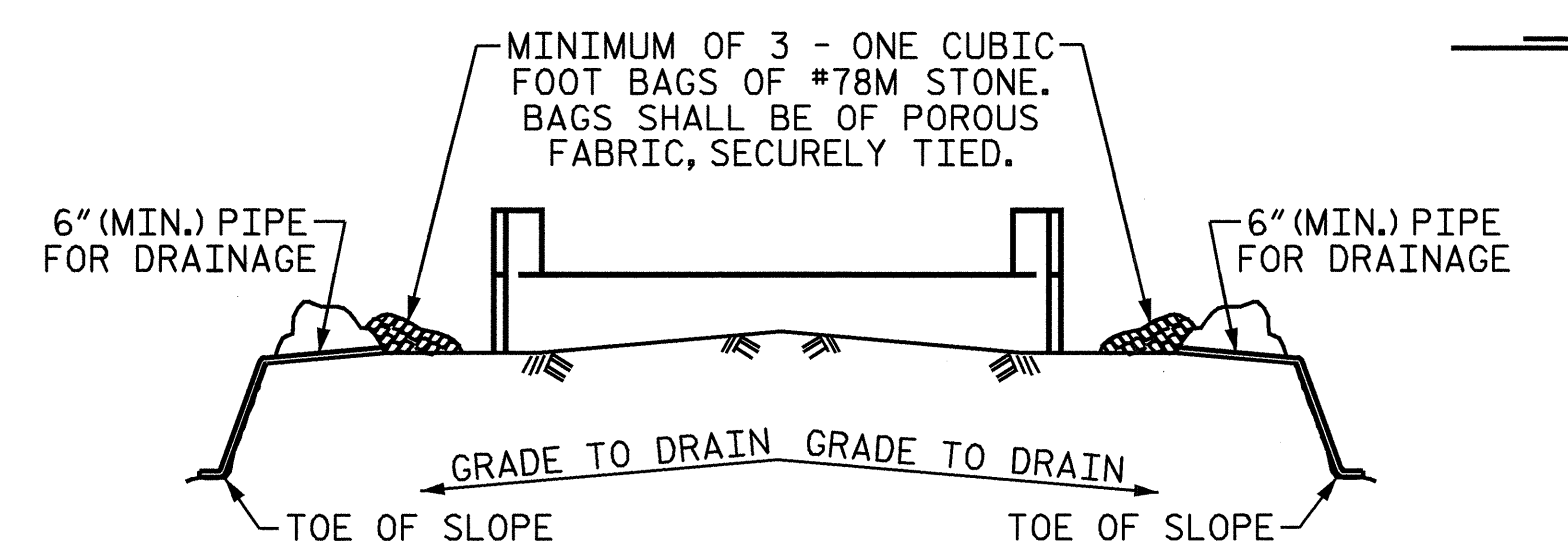


ALL BAR DIMENSIONS ARE OUT TO OUT.

BILL OF MATERIAL													
END BENT 2													
STAGE I					STAGE II								
BAR	NO.	SIZE	TYPE	LENGTH	WEIGHT	BAR	NO.	SIZE	TYPE	LENGTH	WEIGHT		
*B1	8	#9	1	20'-11"	569	*B4	7	#4	STR	2'-3"	11		
*B2	2	#5	STR	19'-9"	41	*B5	8	#9	1	28'-9"	782		
*B3	4	#4	STR	19'-9"	53	*B6	2	#5	STR	27'-9"	58		
*B4	5	#4	STR	2'-3"	8	*B7	4	#4	STR	27'-9"	74		
						*B8	4	#9	STR	10'-10"	147		
						*B9	4	#9	STR	9'-7"	130		
*D1	11	#6	STR	1'-6"	25	*D1	17	#6	STR	1'-6"	38		
*H1	4	#4	STR	2'-4"	6	*H1	4	#4	STR	2'-4"	6		
*H2	10	#4	2	4'-8"	31	*H2	10	#4	2	4'-8"	31		
*S1	17	#4	3	3'-0"	34	*S1	25	#4	3	3'-0"	50		
*S2	17	#4	4	6'-11"	79	*S2	25	#4	4	6'-11"	116		
*S3	8	#4	5	6'-6"	35	*S3	10	#4	5	6'-6"	43		
*S4	2	#4	6	4'-3"	6	*S4	2	#4	6	4'-3"	6		
*V1	16	#4	STR	3'-9"	40	*V1	16	#4	STR	3'-9"	40		
EPOXY COATED REINF. STEEL					LBS	927	EPOXY COATED REINF. STEEL					LBS	1532
CLASS AA CONCRETE							CLASS AA CONCRETE						
POUR #1: CAP & WING					C. Y.	5.4	POUR #1: CAP & WING					C. Y.	7.5
POUR #2: WING					C. Y.	0.4	POUR #2: WING					C. Y.	0.4
POUR #3: LATERAL GUIDES					C. Y.	0.1	POUR #3: LATERAL GUIDES					C. Y.	0.1
TOTAL					C. Y.	5.9	TOTAL					C. Y.	8.0
HP 12 X 53 STEEL PILES							HP 12 X 53 STEEL PILES						
NO. 4					LIN. FT.	120	NO. 5					LIN. FT.	150



LATERAL GUIDE DETAILS



BAGGED STONE AND PIPE SHALL BE PLACED IMMEDIATELY AFTER COMPLETION OF END BENT EXCAVATION. PIPE MAY BE EITHER CONCRETE, CORRUGATED STEEL, CORRUGATED ALUMINUM ALLOY, OR CORRUGATED PLASTIC. PERFORATED PIPE WILL NOT BE ALLOWED.

BAGGED STONE SHALL REMAIN IN PLACE UNTIL THE ENGINEER DIRECTS THAT IT BE REMOVED. THE CONTRACTOR SHALL REMOVE AND DISPOSE OF SILT ACCUMULATIONS AT BAGGED STONE WHEN SO DIRECTED BY THE ENGINEER. BAGS SHALL BE REMOVED AND REPLACED WHENEVER THE ENGINEER DETERMINES THAT THEY HAVE DETERIORATED AND LOST THEIR EFFECTIVENESS.

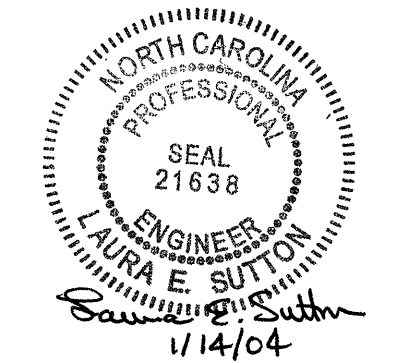
NO SEPARATE PAYMENT WILL BE MADE FOR THIS WORK AND THE ENTIRE COST OF THIS WORK SHALL BE INCLUDED IN THE UNIT CONTRACT PRICE BID FOR THE SEVERAL PAY ITEMS.

TEMPORARY DRAINAGE AT END BENT

PROJECT NO. B-3626
CARTERET COUNTY
 STATION: 20+29.50 -L-

SHEET 2 OF 2

STATE OF NORTH CAROLINA DEPARTMENT OF TRANSPORTATION RALEIGH					
SUBSTRUCTURE END BENT 2					
REVISIONS					
NO.	BY:	DATE:	NO.	BY:	DATE:
1			3		
2			4		
					SHEET NO. S-18
					TOTAL SHEETS 23



13-JAN-2004 14:05
 W:\Squid\B3626\Miller\B3626.sct.E*.dgn
 DRAWN BY: J.H. MILLER DATE: 4-25-03
 CHECKED BY: S.H. SOCKWELL DATE: 6-19-03