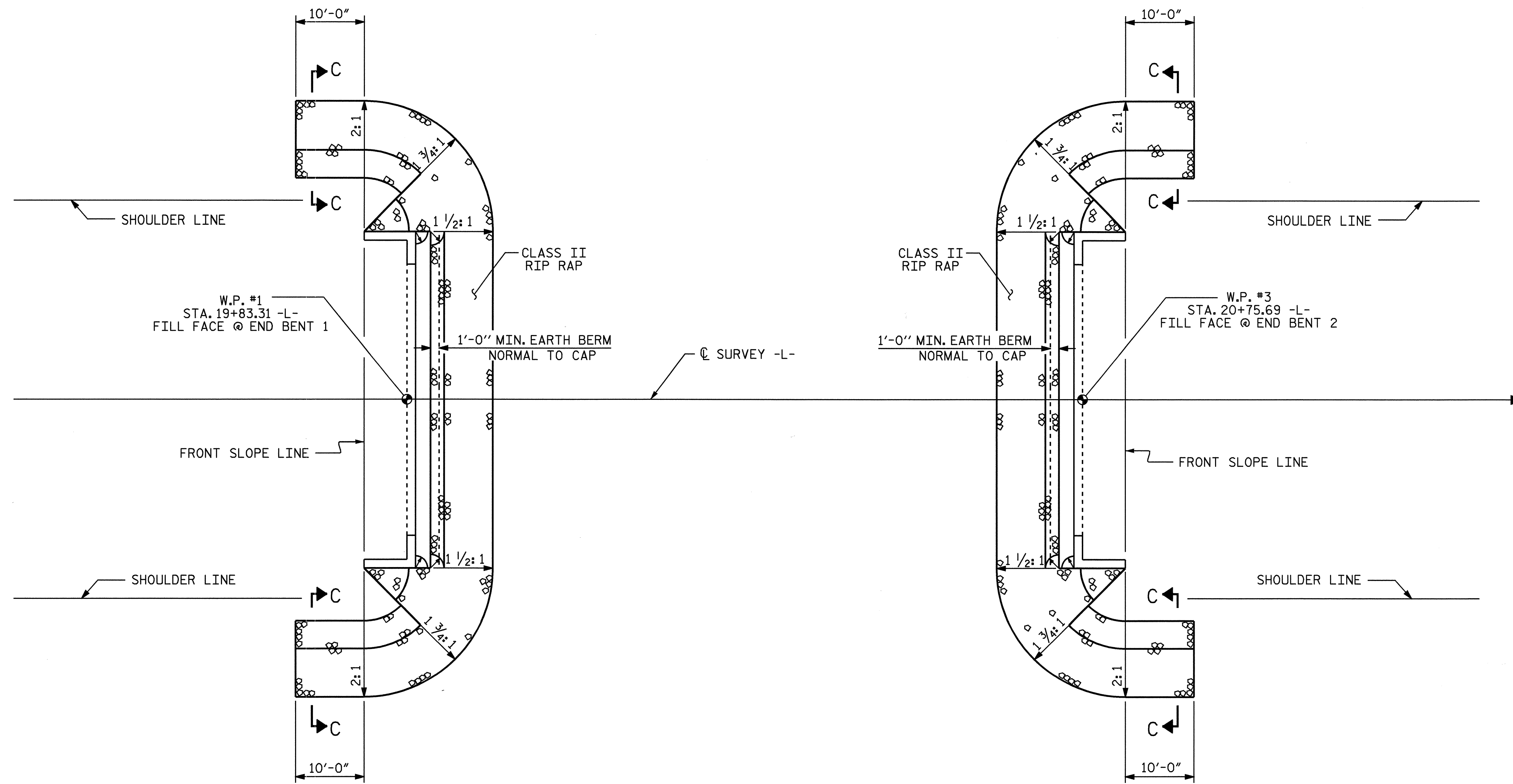
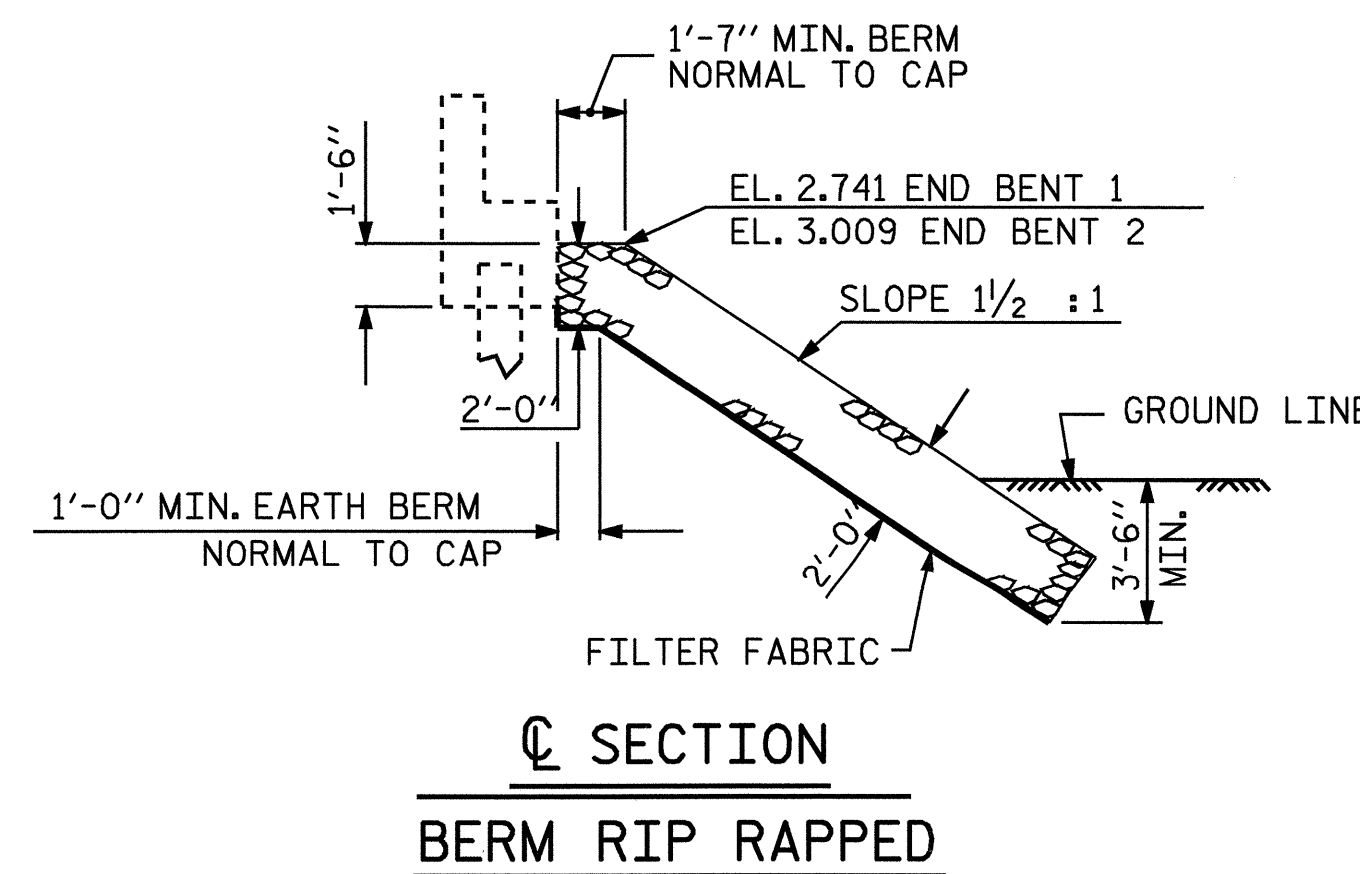


NOTES :
FOR BERM WIDTH DIMENSIONS, SEE GENERAL DRAWING.

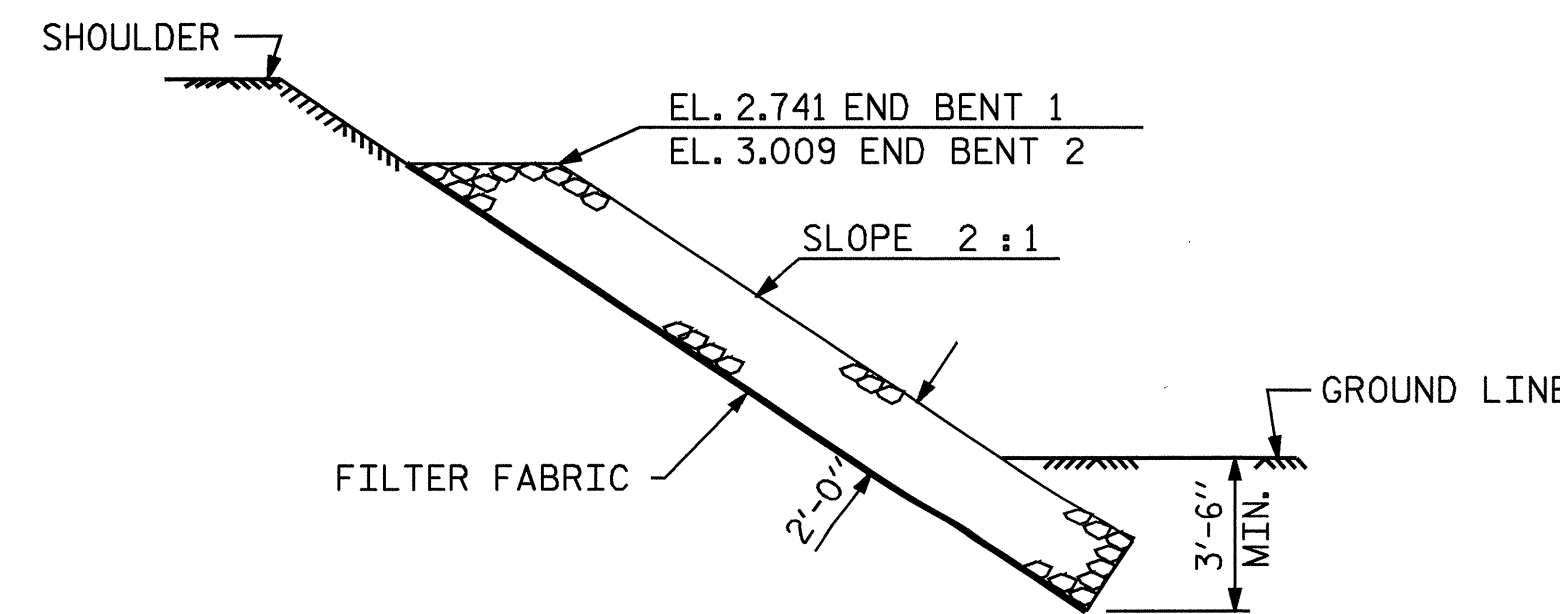


ESTIMATED QUANTITIES		
BRIDGE @ STA. 20+29.50 -L-	PLAIN RIP RAP CLASS II	FILTER FABRIC FOR DRAINAGE
	TONS	SQUARE YARDS
END BENT 1	106	118
END BENT 2	135	150

PLAN



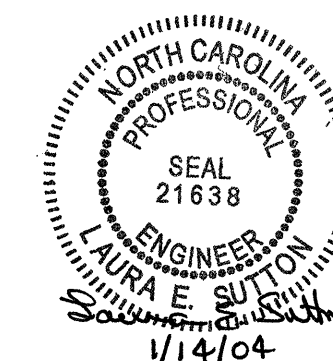
SECTION
BERM RIP RAPPED



SECTION C-C

PROJECT NO. B-3626
CARTERET COUNTY
STATION: 20+29.50 -L-

STATE OF NORTH CAROLINA
DEPARTMENT OF TRANSPORTATION
RALEIGH
STANDARD
RIP RAP DETAILS



ASSEMBLED BY : J.L. WALTON DATE : 2/26/03
CHECKED BY : B.N. BARODAWALA DATE : 3/25/03
DRAWN BY : FCJ 2/88 REV. 7/17/98 REK/RWW
CHECKED BY : ARB 8/88 REV. 8/16/99 RWW/LES
REV. 10/17/00 RWW/LES

REVISIONS						SHEET NO.
NO.	BY:	DATE:	NO.	BY:	DATE:	S-20
1			3			TOTAL SHEETS
2			4			23