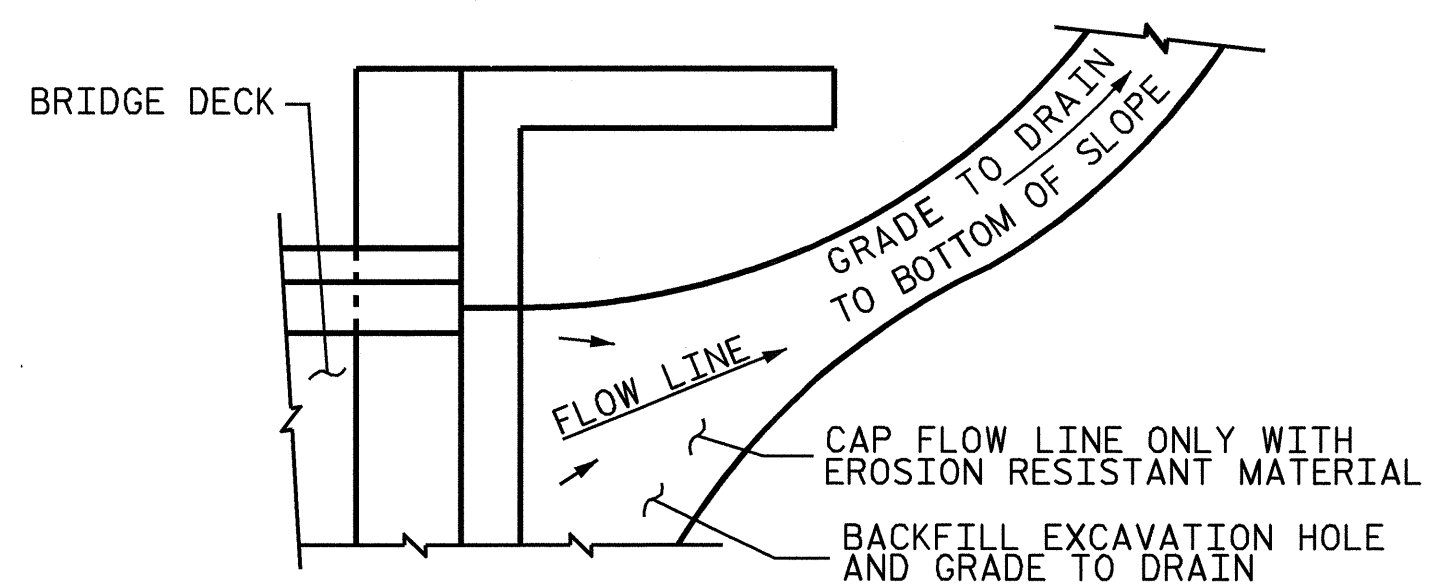


NOTE: IMMEDIATELY AFTER THE CONSTRUCTION OF THE APPROACH SLAB, THE CONTRACTOR SHALL PROVIDE TEMPORARY BERM AND SLOPE DRAIN. CONTRACTOR SHALL GRADE TO PIPE INLET AND PROVIDE EROSION RESISTANT MATERIAL AS SHOWN. THE EROSION RESISTANT MATERIAL SHALL BE EITHER 1) ASPHALT PLANT MIX, TYPE 1 OR TYPE 2, MIN. 2" DEPTH, 2) EROSION CONTROL MAT, OR 3) CONCRETE, AS DIRECTED BY THE ENGINEER. THE SLOPE DRAIN SHALL CONSIST OF A NON-PERFORATED TEMPORARY DRAINAGE PIPE, 12 INCHES IN DIAMETER.

PLAN VIEW

TEMPORARY BERM AND SLOPE DRAIN DETAILS

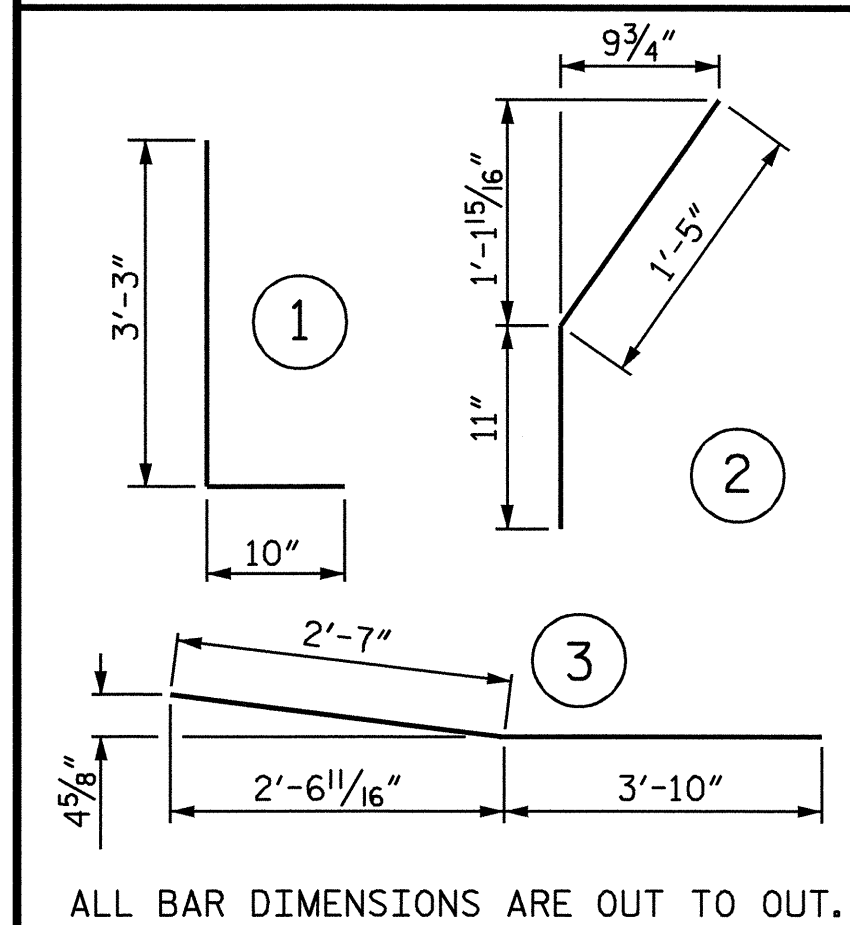


NOTE: IF THE APPROACH SLAB IS NOT CONSTRUCTED IMMEDIATELY AFTER THE BACKFILLING OF THE END BENT EXCAVATION, GRADE TO DRAIN TO THE BOTTOM OF THE SLOPE AND PROVIDE EROSION RESISTANT MATERIAL, SUCH AS FIBERGLASS ROVING OR AS DIRECTED BY THE ENGINEER TO PREVENT SOIL EROSION AND TO PROTECT THE AREA ADJACENT TO THE STRUCTURE. THE CONTRACTOR WILL BE REQUIRED TO REMOVE THESE MATERIALS PRIOR TO CONSTRUCTION OF THE APPROACH SLAB.

TEMPORARY DRAINAGE DETAIL

BILL OF MATERIAL											
STAGE I APPROACH SLAB (2 REQ'D)						STAGE II APPROACH SLAB (2 REQ'D)					
BAR	NO.	SIZE	TYPE	LENGTH	WEIGHT	BAR	NO.	SIZE	TYPE	LENGTH	WEIGHT
*A1	23	#5	STR	14'-10"	356	*A3	23	#5	STR	26'-10"	644
*A2	9	#4	STR	14'-10"	89	*A4	9	#4	STR	26'-10"	161
*B1	30	#6	STR	11'-2"	503	*B1	54	#6	STR	11'-2"	906
*B2	30	#6	STR	11'-8"	526	*B2	54	#6	STR	11'-8"	946
*B3	7	#5	STR	11'-8"	85	*B3	7	#5	STR	11'-8"	85
*B4	1	#5	3	6'-5"	7	*B4	1	#5	3	6'-5"	7
*S1	24	#5	STR	3'-3"	81	*S1	24	#5	STR	3'-3"	81
*S2	24	#5	1	4'-1"	102	*S2	24	#5	1	4'-1"	102
*S3	10	#5	2	2'-4"	24	*S3	10	#5	2	2'-4"	24
*EPOXY COATED REINFORCING STEEL LBS. 1773						*EPOXY COATED REINFORCING STEEL LBS. 2956					
CLASS AA CONCRETE BREAKDOWN						CLASS AA CONCRETE BREAKDOWN					
POUR 1 SLAB				C. Y.	6.7	POUR 1 SLAB				C. Y.	12.0
POUR 2 RAIL				C. Y.	1.2	POUR 2 RAIL				C. Y.	1.2
CLASS AA CONCRETE C. Y. 7.9						CLASS AA CONCRETE C. Y. 13.2					

BAR TYPES



ALL BAR DIMENSIONS ARE OUT TO OUT.

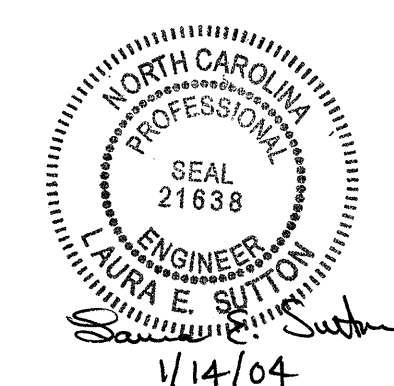
PROJECT NO. B-3626
CARTERET COUNTY
 STATION: 20+29.50 -L-

SHEET 3 OF 3

STATE OF NORTH CAROLINA
 DEPARTMENT OF TRANSPORTATION
 RALEIGH

**BRIDGE APPROACH
 SLAB DETAILS**

REVISIONS					SHEET NO.
NO.	BY:	DATE:	NO.	DATE:	S-23
1			3		TOTAL SHEETS
2			4		23



05-JAN-2004 08:17 W:\Squid\B3626\Walton\B3626_sd_AS_01.dgn

DRAWN BY: J.L. WALTON DATE: 10/29/03
 CHECKED BY: L.E. SUTTON DATE: 11/5/03