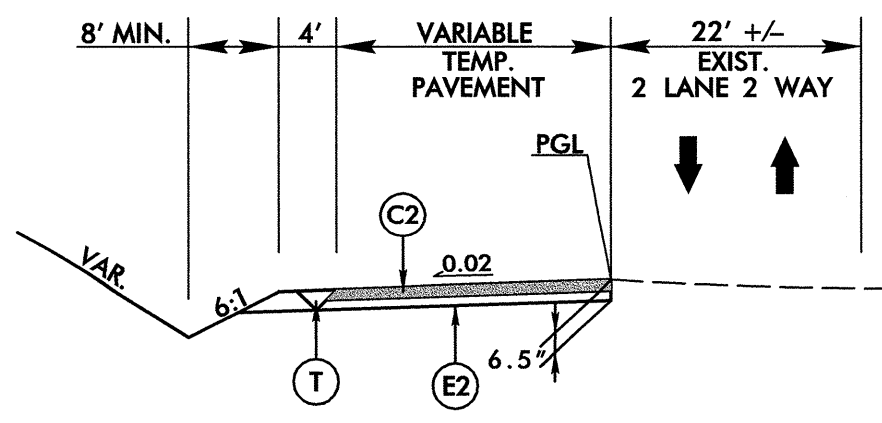
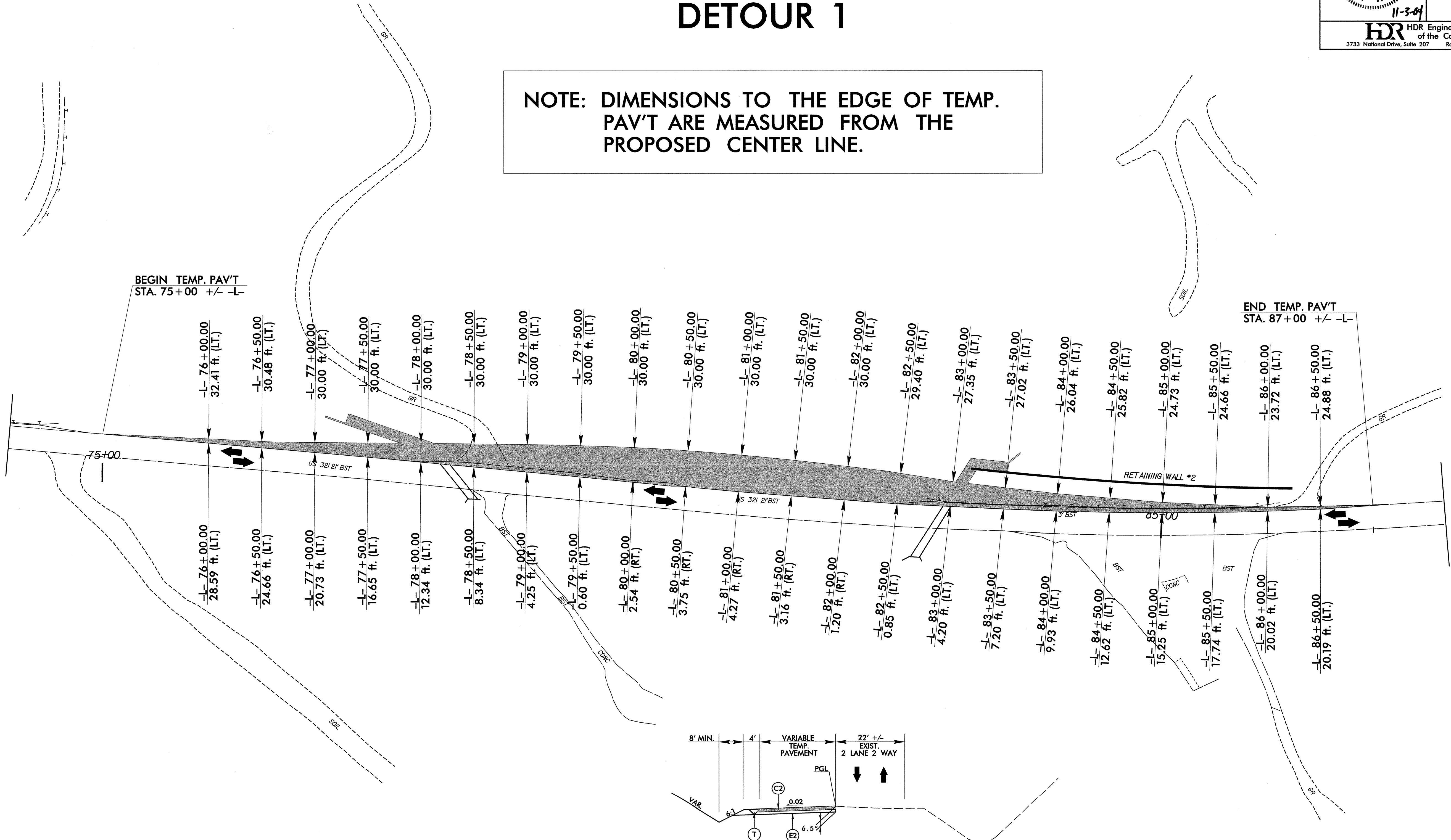


DETOUR 1

NOTE: DIMENSIONS TO THE EDGE OF TEMP. PAV'T ARE MEASURED FROM THE PROPOSED CENTER LINE.



REFERENCES:
FOR -DETOUR- PROFILE SEE SHEET 65

REVISIONS

8/17/99

11/2/2004
2:44:16 PM
6362237B.dwg
N:\projects\2004\6362237B.dwg