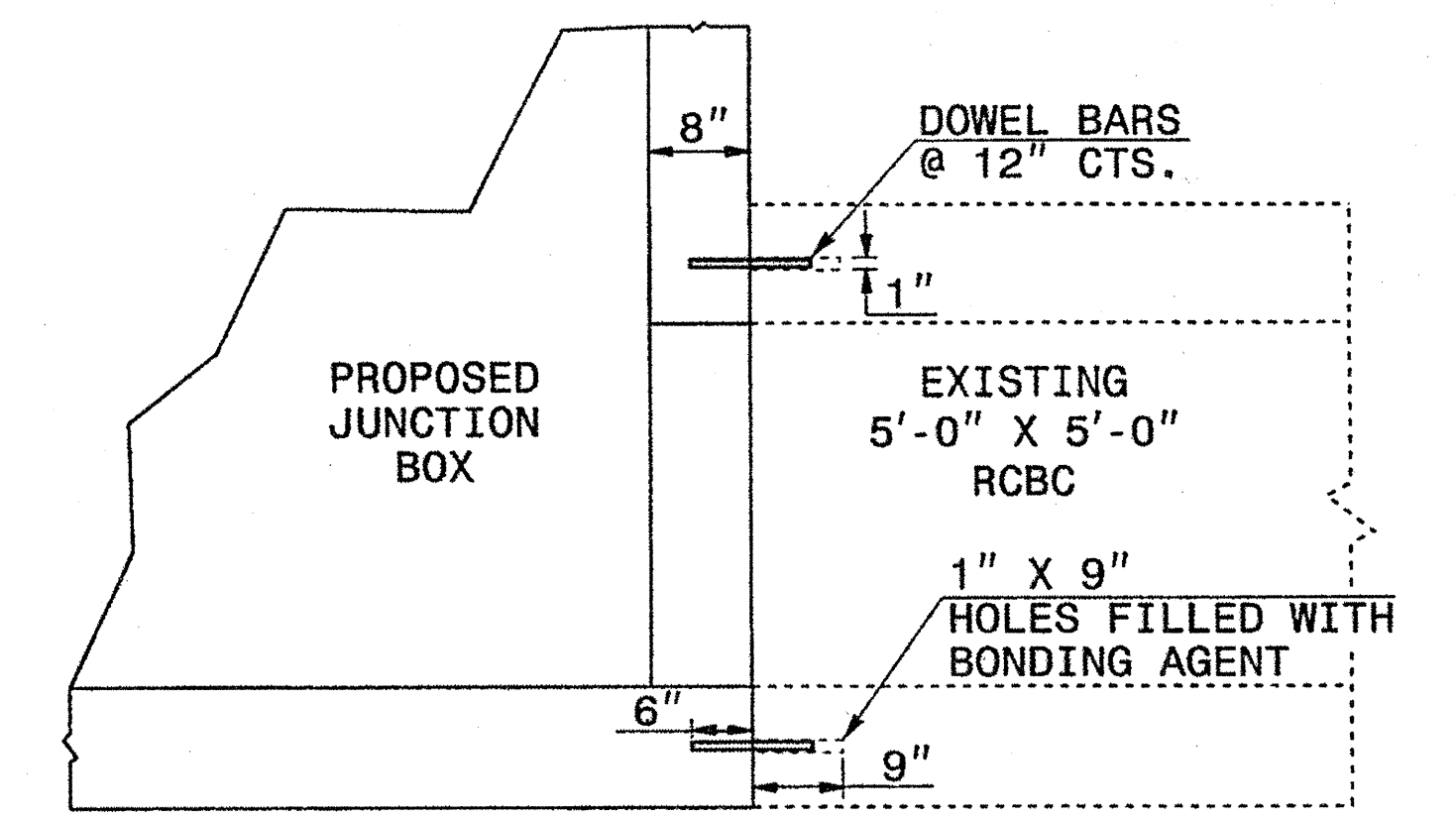
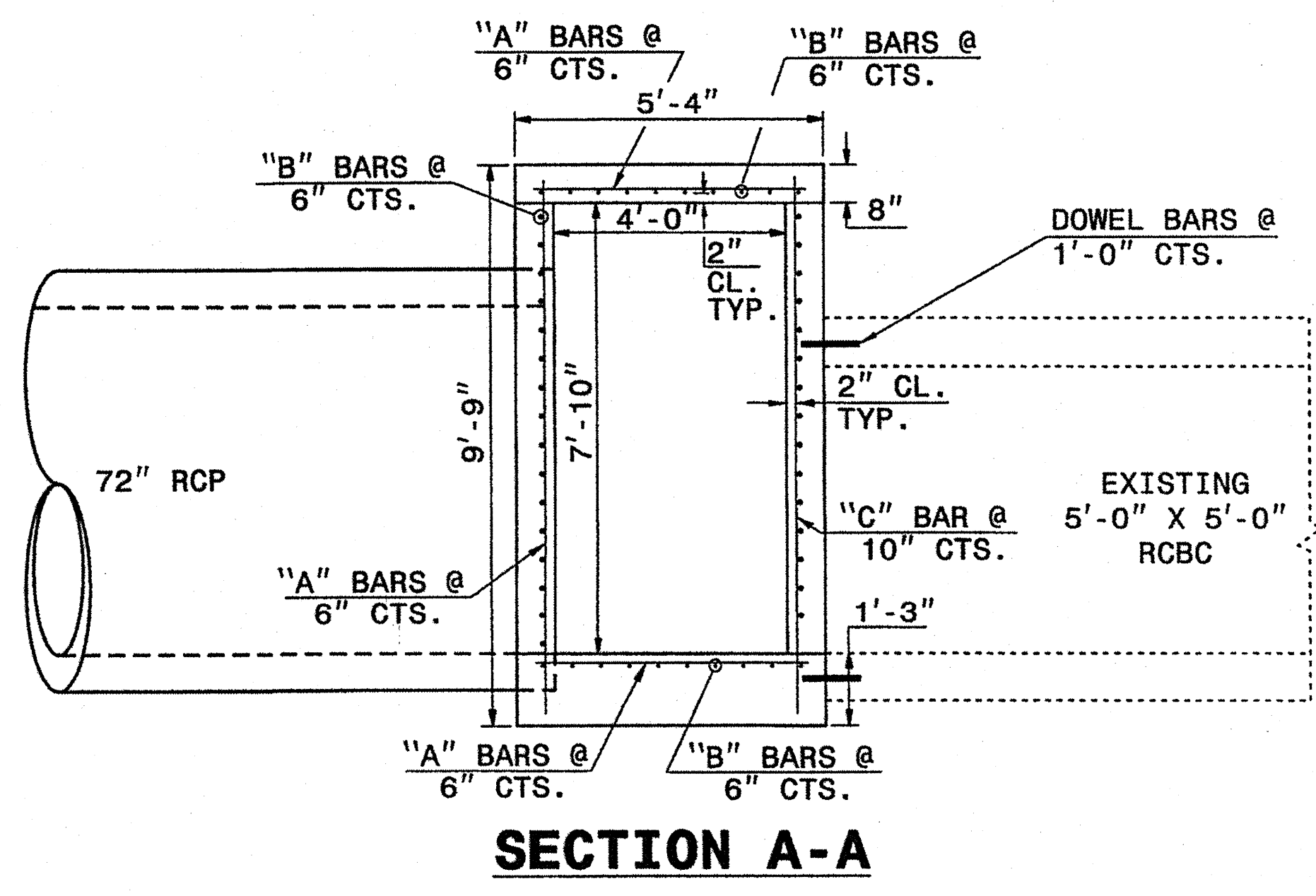
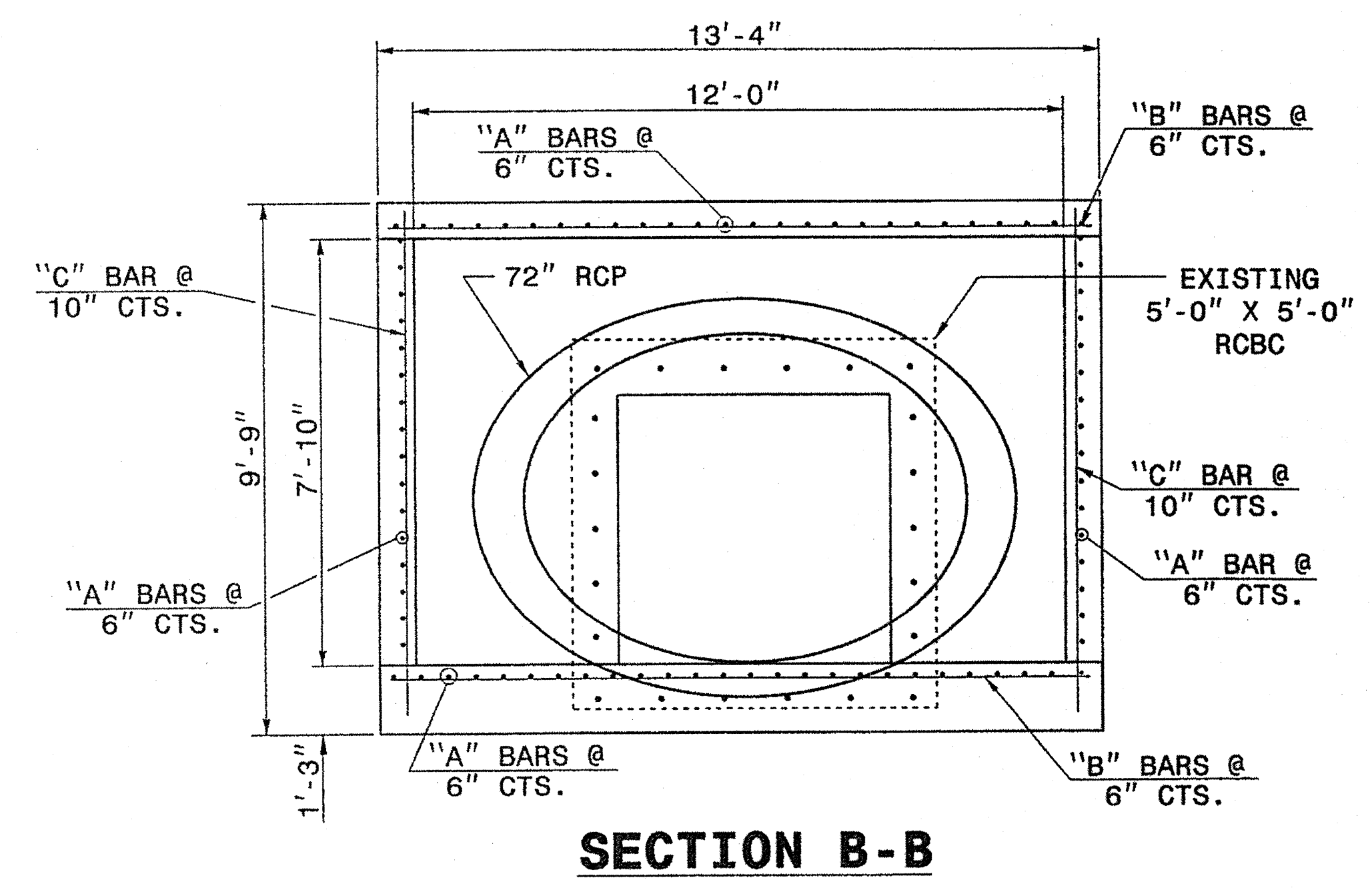


GENERAL NOTES:

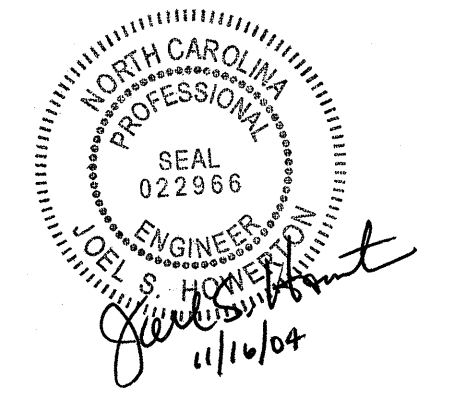
1. CONSTRUCT THE BASE SLAB BY FORMING.
2. USE CLASS 'A' CONCRETE THROUGHOUT.
3. CONSTRUCTION OPTIONS: CAST-IN-PLACE; CONSTRUCTION JOINTS AT UNION OF WALLS WITH FLOOR AND/OR TOP SLAB.
4. CUT, BEND OR RELOCATE REINFORCING STEEL TO POSITION PIPE AS DIRECTED BY THE ENGINEER.
5. ALL EXPOSED CORNERS SHALL BE CHAMFERED 1".
6. DIMENSIONS MAY BE ADJUSTED AS NECESSARY AS DIRECTED BY THE ENGINEER.

BILL OF MATERIAL

| BAR NO. | SIZE | LENGTH | NUMBER | TOTAL |
|------------------------------|------|--------|--------|-------|
| A | #5 | 5'-0" | 92 | 480 |
| B | #5 | 13'-0" | 60 | 814 |
| C | #5 | 9'-5" | 46 | 452 |
| D | #6 | 3'-0" | 8 | 36 |
| DOWEL | #6 | 1'-0" | 22 | 33 |
| TOTAL WEIGHT - (LBS.) | | | | 1815 |
| CLASS "A" CONC. - (CU. YDS.) | | | | 10.2 |



DOWEL BAR DETAIL
SEE NOTES



DESIGN SERVICES UNIT
STANDARDS AND SPECIAL DESIGN
Office 919-250-4128 FAX 919-250-4119

DETAIL OF SPECIAL JUNCTION BOX

ORIGINAL BY: T.S. Spell DATE: 6-14-04
 MODIFIED BY: [Signature] DATE: [Signature]
 CHECKED BY: [Signature] DATE: 6/21/04
 FILE SPEC.: w:\dtdetails\metric\stand\jb_rcbc_r2237b.dgn