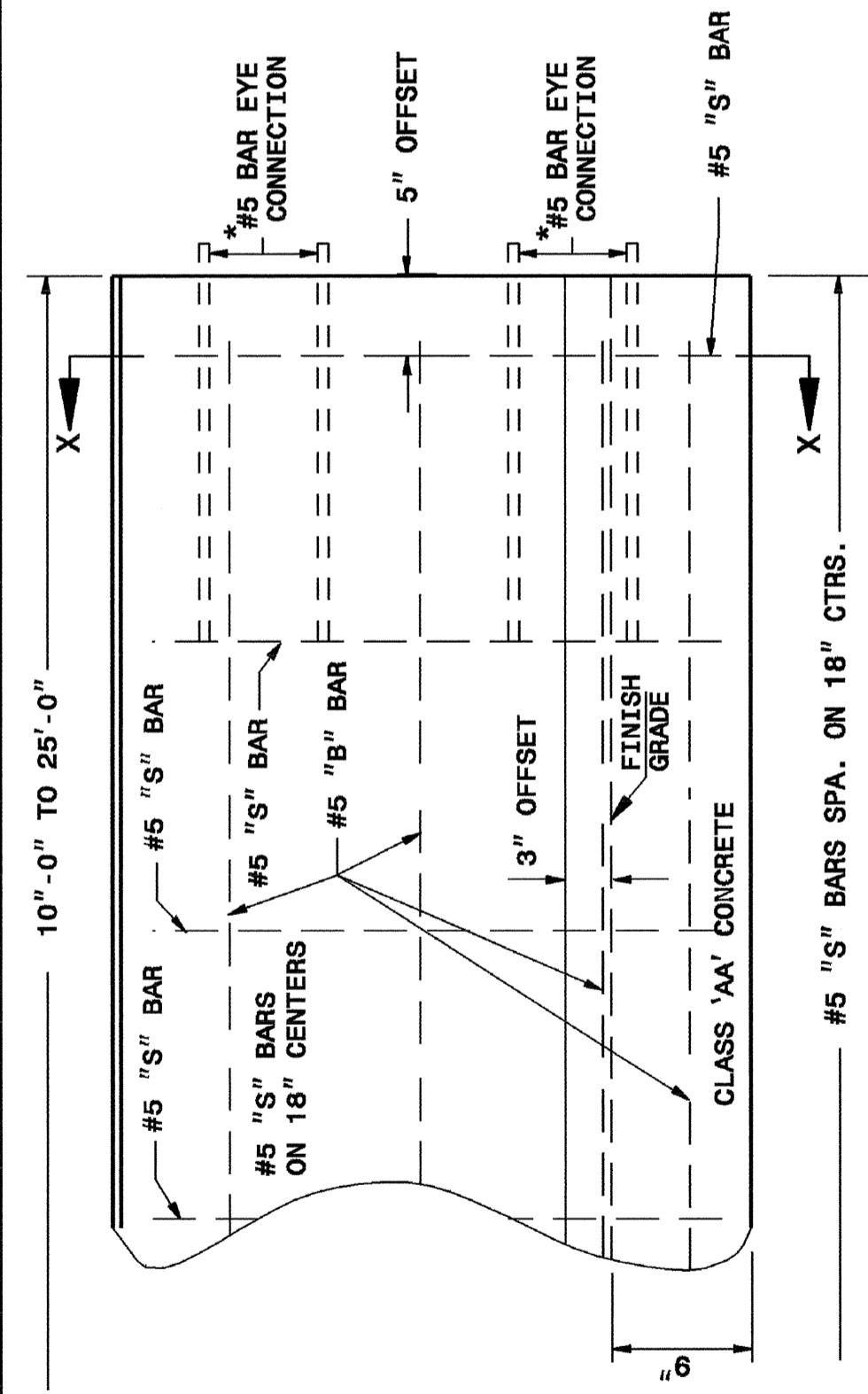


12-APR-2004 15:55
 W:\Special Details\encl\ward\stds\02\stds to Special Details\english\85701\857d01.dgn
 encl\ward AT DSZ12260

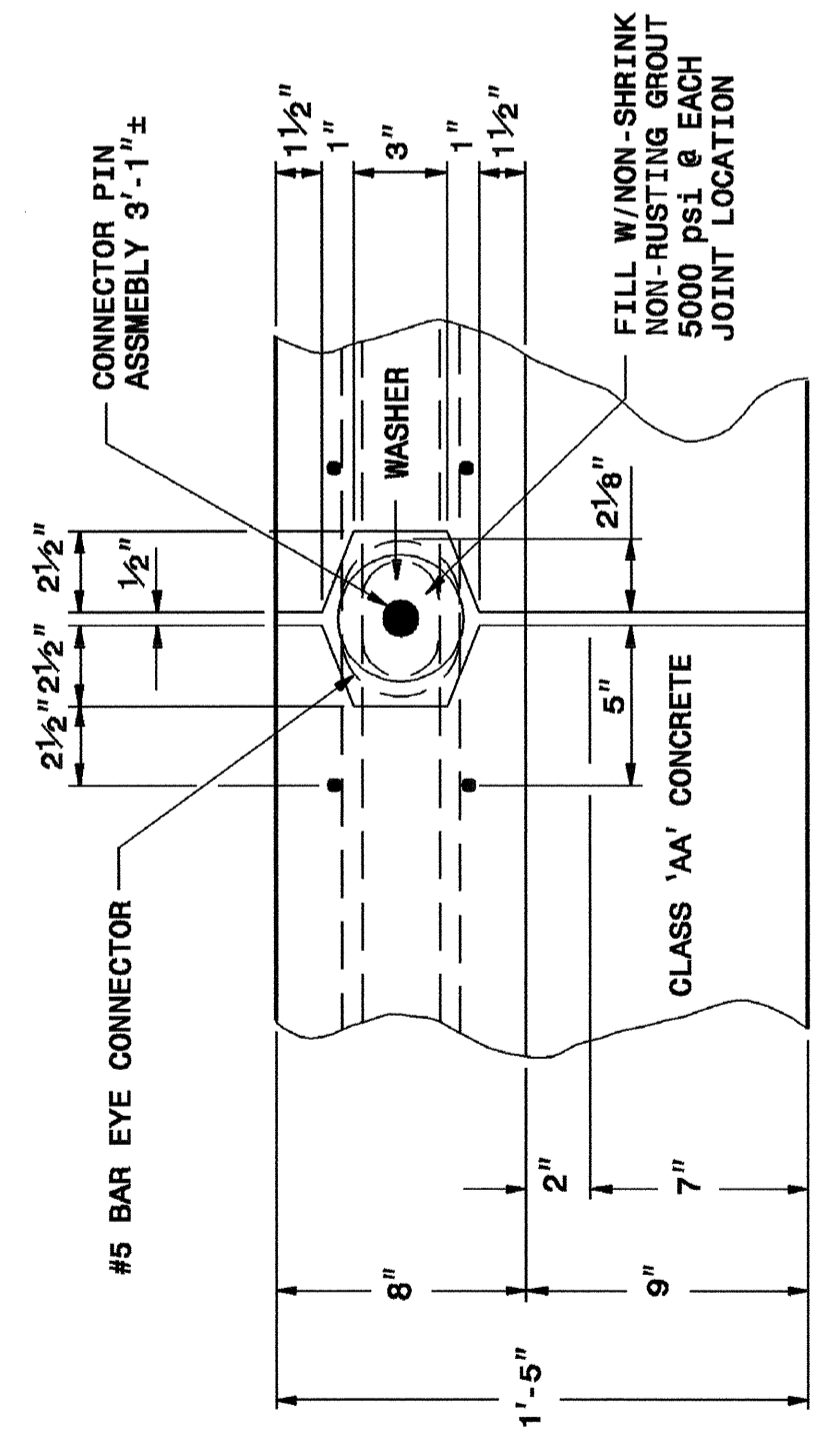
STATE OF NORTH CAROLINA
 DEPT. OF TRANSPORTATION
 DIVISION OF HIGHWAYS
 RALEIGH, N.C.

ENGLISH DETAIL DRAWING FOR
PRECAST REINFORCED CONCRETE BARRIER
 41" SINGLE FACED

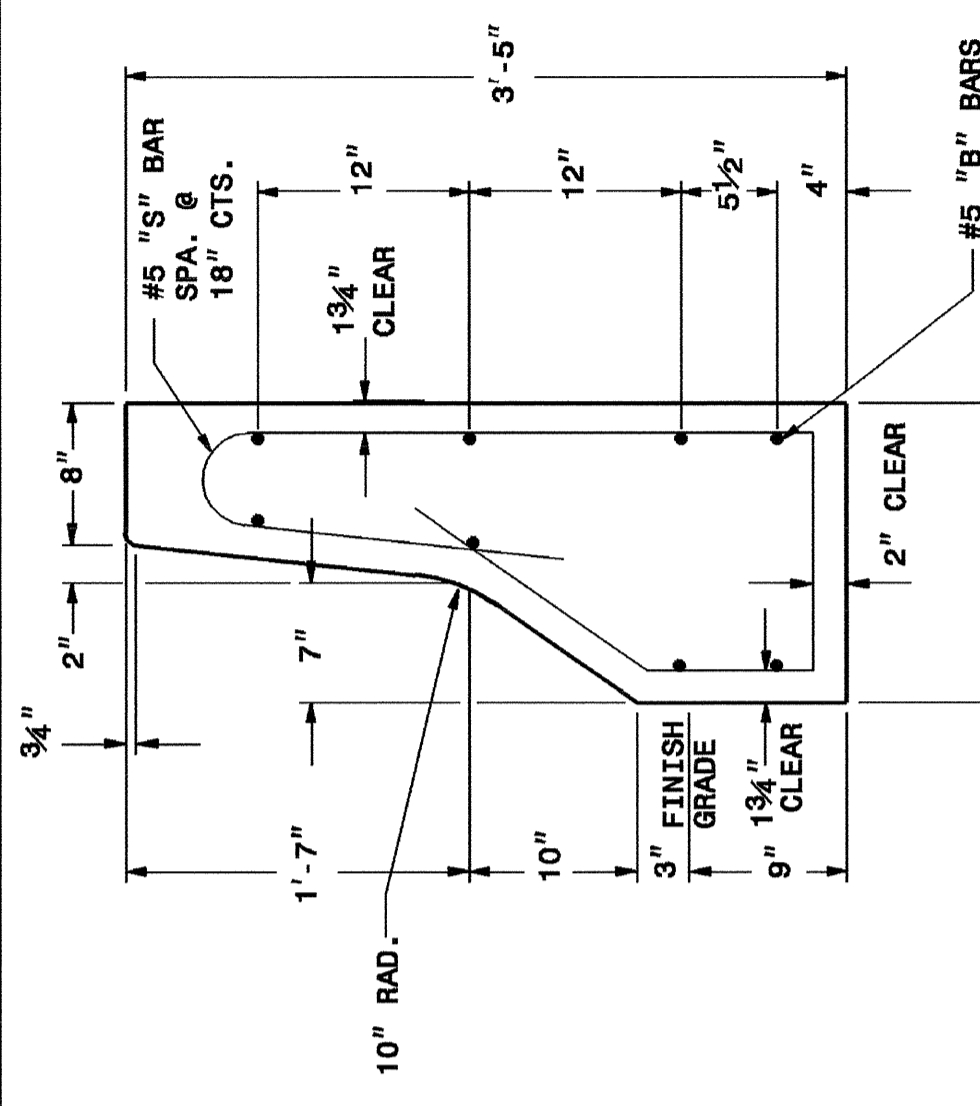
SHEET 5 OF 8
857D01



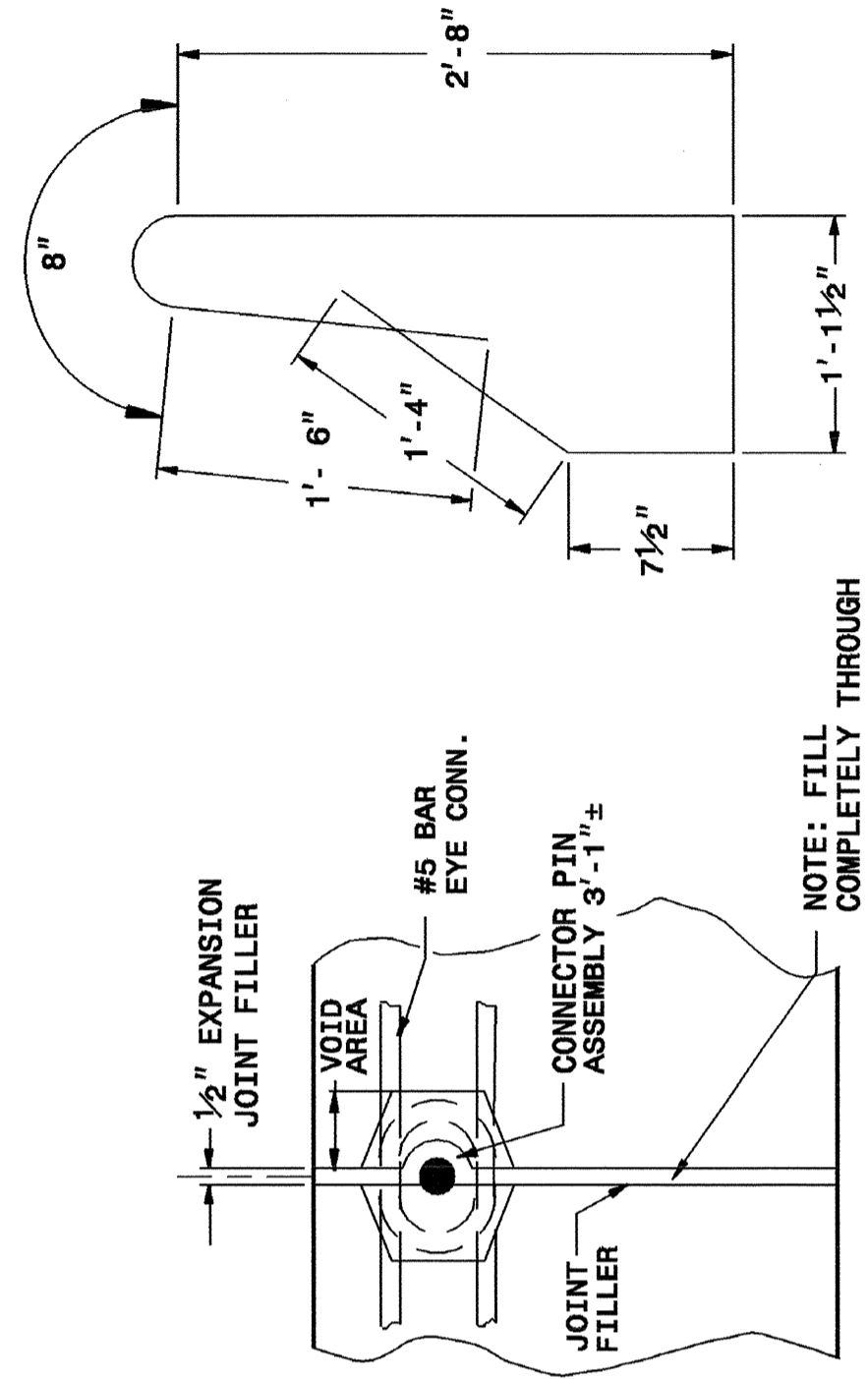
PART FRONT ELEVATION



PLAN OF BONDED CONNECTION OF PRECAST UNIT



DETAIL X-X
 CROSS SECTIONAL VIEW



JOINT FILLER DETAIL

SHEET 5 OF 8
857D01

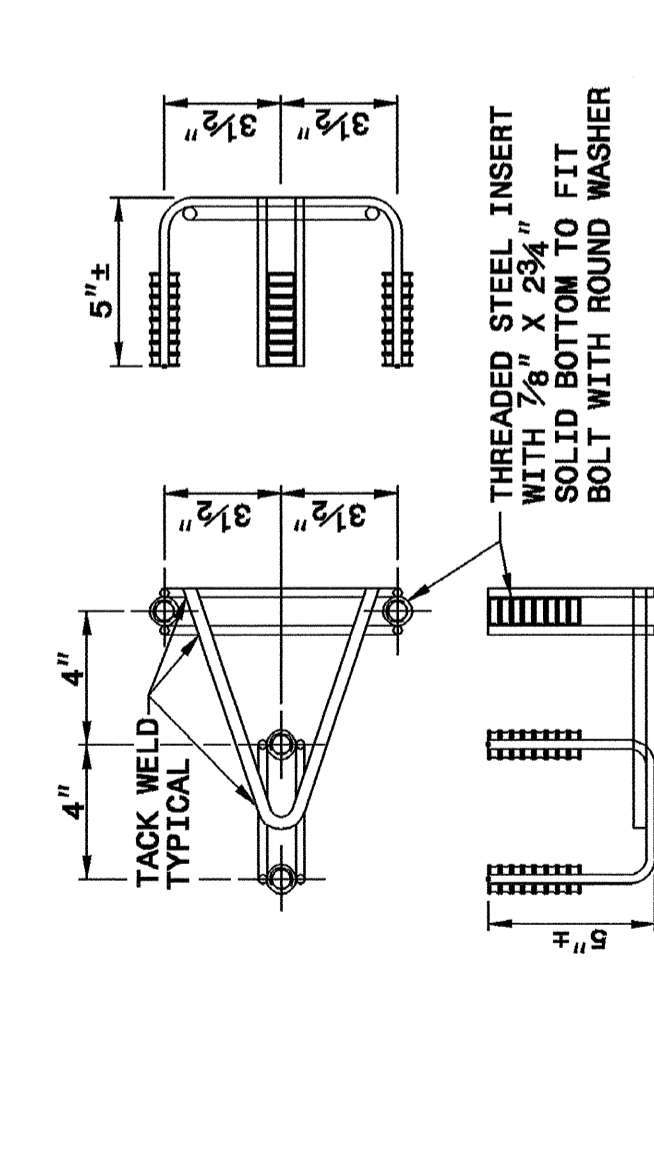
STATE OF NORTH CAROLINA
 DEPT. OF TRANSPORTATION
 DIVISION OF HIGHWAYS
 RALEIGH, N.C.

ENGLISH DETAIL DRAWING FOR
PRECAST REINFORCED CONCRETE BARRIER
 41" SINGLE FACED

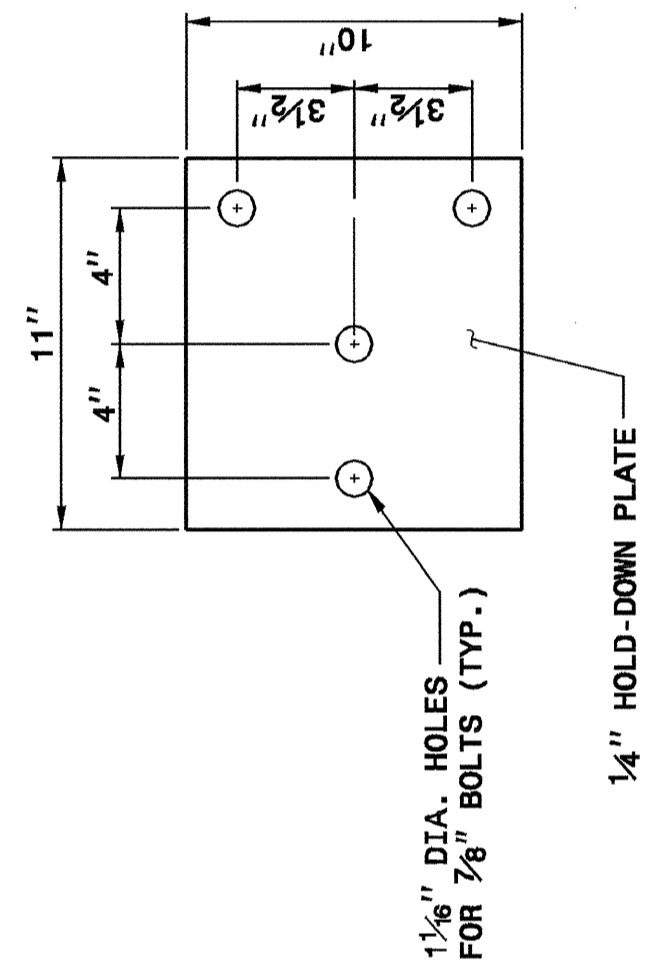
STATE OF NORTH CAROLINA
 DEPT. OF TRANSPORTATION
 DIVISION OF HIGHWAYS
 RALEIGH, N.C.

ENGLISH DETAIL DRAWING FOR
PRECAST REINFORCED CONCRETE BARRIER
 41" SINGLE FACED

SHEET 6 OF 8
857D01



DETAIL A
 4 BOLT INSERT ASSEMBLY



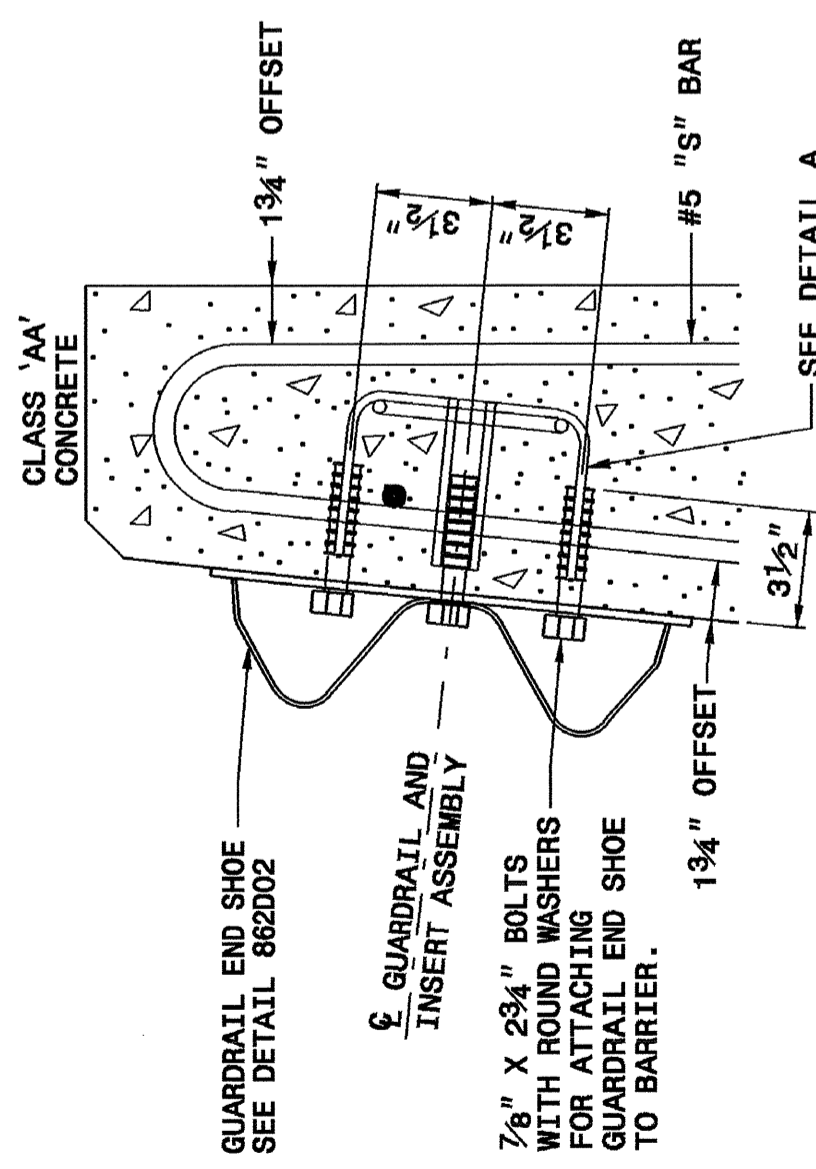
DETAIL B
 4 BOLT HOLD DOWN PLATE

STATE OF NORTH CAROLINA
 DEPT. OF TRANSPORTATION
 DIVISION OF HIGHWAYS
 RALEIGH, N.C.

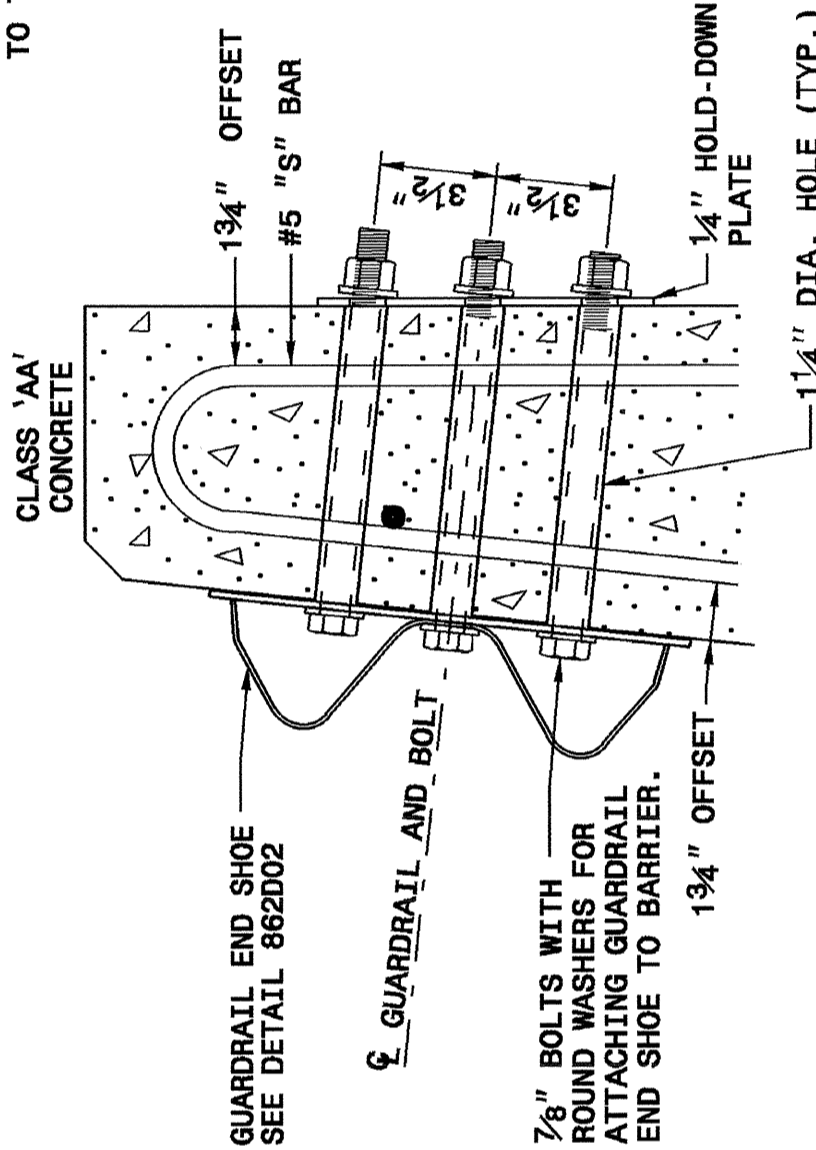
ENGLISH DETAIL DRAWING FOR
PRECAST REINFORCED CONCRETE BARRIER
 41" SINGLE FACED

SHEET 6 OF 8
857D01

NOTES FOR 4 BOLT HOLD-DOWN PLATE
 THE GUARDRAIL ANCHOR ASSEMBLY SHALL CONSIST OF A 1/4" HOLD-DOWN PLATE AND 4 - 7/8" DIA. BOLTS WITH NUTS AND WASHERS. THE HOLD-DOWN PLATE SHALL CONFORM TO AASHTO M270 GRADE 36. AFTER FABRICATION, THE HOLD-DOWN PLATE SHALL BE HOT-DIP GALVANIZED IN ACCORDANCE WITH AASHTO M111.
 AFTER INSTALLATION, THE EXPOSED THREAD OF THE BOLT SHALL BE BURRED WITH A SHARP POINTED TOOL.
 THE 1 1/4" DIA. HOLES SHALL BE FORMED OR DRILLED WITH A CORE BIT. IMPACT TOOLS WILL NOT BE PERMITTED. ANY CONCRETE DAMAGED BY THIS WORK SHALL BE REPAIRED TO THE SATISFACTION OF THE ENGINEER.



PART SECTION
 OF BARRIER
 THRU END SHOE SECTION AND
 4 BOLT INSERT ASSEMBLY



PART SECTION
 OF BARRIER
 THRU END SHOE SECTION AND
 4 BOLT HOLD DOWN PLATE

DESIGN SERVICES UNIT
 STANDARDS AND SPECIAL DESIGN
 Office 919-250-4128 FAX 919-250-4119

SEE PLATE FOR TITLE

ORIGINAL BY: 2002 STD.857.01 DATE:
 MODIFIED BY: E.E. WARD DATE: 4-07-04
 CHECKED BY: DATE:
 FILE SPEC.: /usr/stds/02todeta11/eng11sh/85701/857d01.dgn

