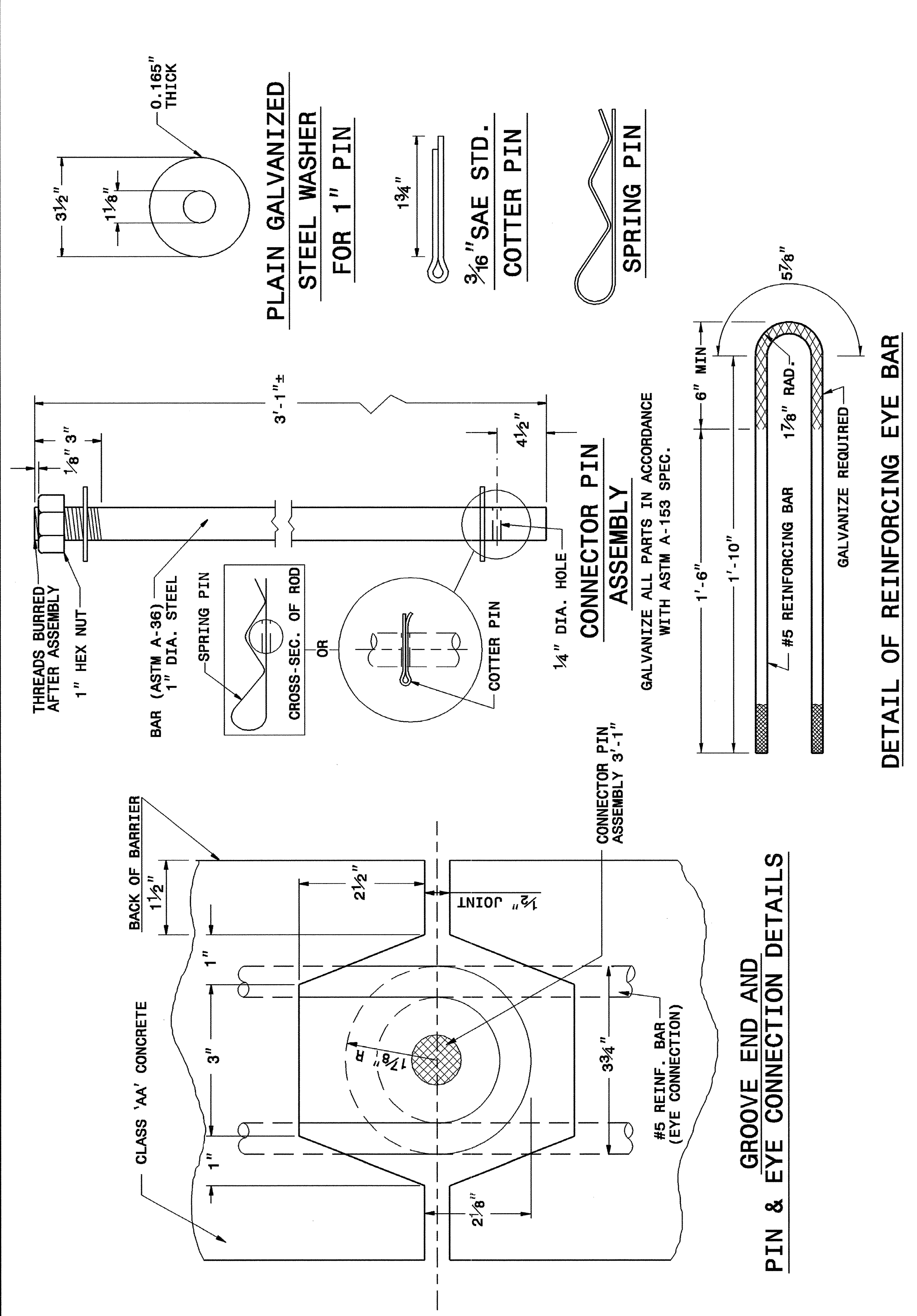


ENGLISH DETAIL DRAWING FOR
PRECAST REINFORCED CONCRETE BARRIER
 41" SINGLE FACED

STATE OF NORTH CAROLINA
 DEPT. OF TRANSPORTATION
 DIVISION OF HIGHWAYS
 RALEIGH, N.C.

SHEET 7 OF 8
857D01



STATE OF NORTH CAROLINA
 DEPT. OF TRANSPORTATION
 DIVISION OF HIGHWAYS
 RALEIGH, N.C.

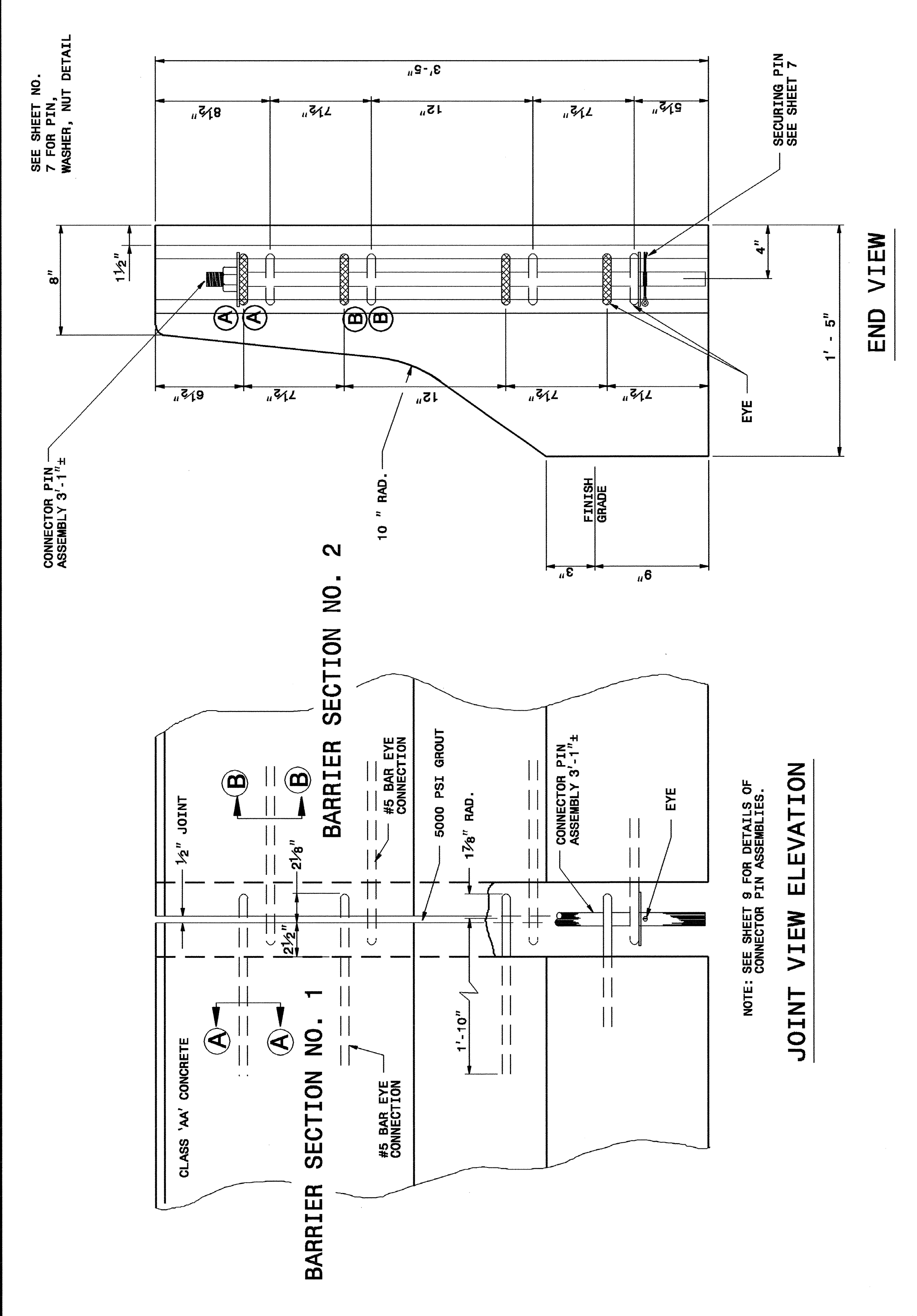
ENGLISH DETAIL DRAWING FOR
PRECAST REINFORCED CONCRETE BARRIER
 41" SINGLE FACED

SHEET 7 OF 8
857D01

ENGLISH DETAIL DRAWING FOR
PRECAST REINFORCED CONCRETE BARRIER
 41" SINGLE FACED

STATE OF NORTH CAROLINA
 DEPT. OF TRANSPORTATION
 DIVISION OF HIGHWAYS
 RALEIGH, N.C.

SHEET 8 OF 8
857D01



STATE OF NORTH CAROLINA
 DEPT. OF TRANSPORTATION
 DIVISION OF HIGHWAYS
 RALEIGH, N.C.

ENGLISH DETAIL DRAWING FOR
PRECAST REINFORCED CONCRETE BARRIER
 41" SINGLE FACED

SHEET 8 OF 8
857D01

NOTE: SEE SHEET 9 FOR DETAILS OF CONNECTOR PIN ASSEMBLIES.



**DESIGN SERVICES UNIT
 STANDARDS AND SPECIAL DESIGN**
 Office 919-250-4128 FAX 919-250-4119

SEE PLATE FOR TITLE

ORIGINAL BY: 2002 STD.857.01 DATE:
 MODIFIED BY: E.E. WARD DATE: 6-12-03
 CHECKED BY: DATE:
 FILE SPEC.: /usr/stds/02todetail/english/85701/857d01.dgn