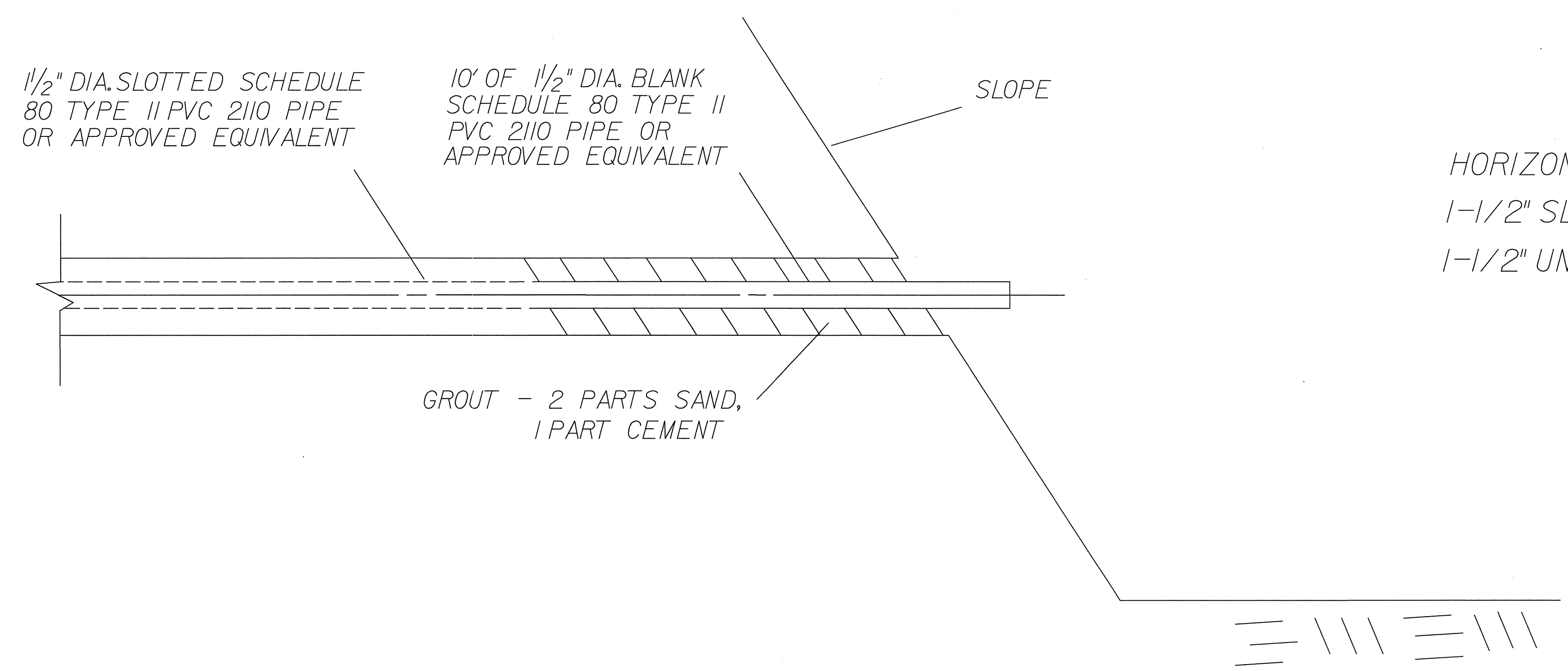


8/17/99

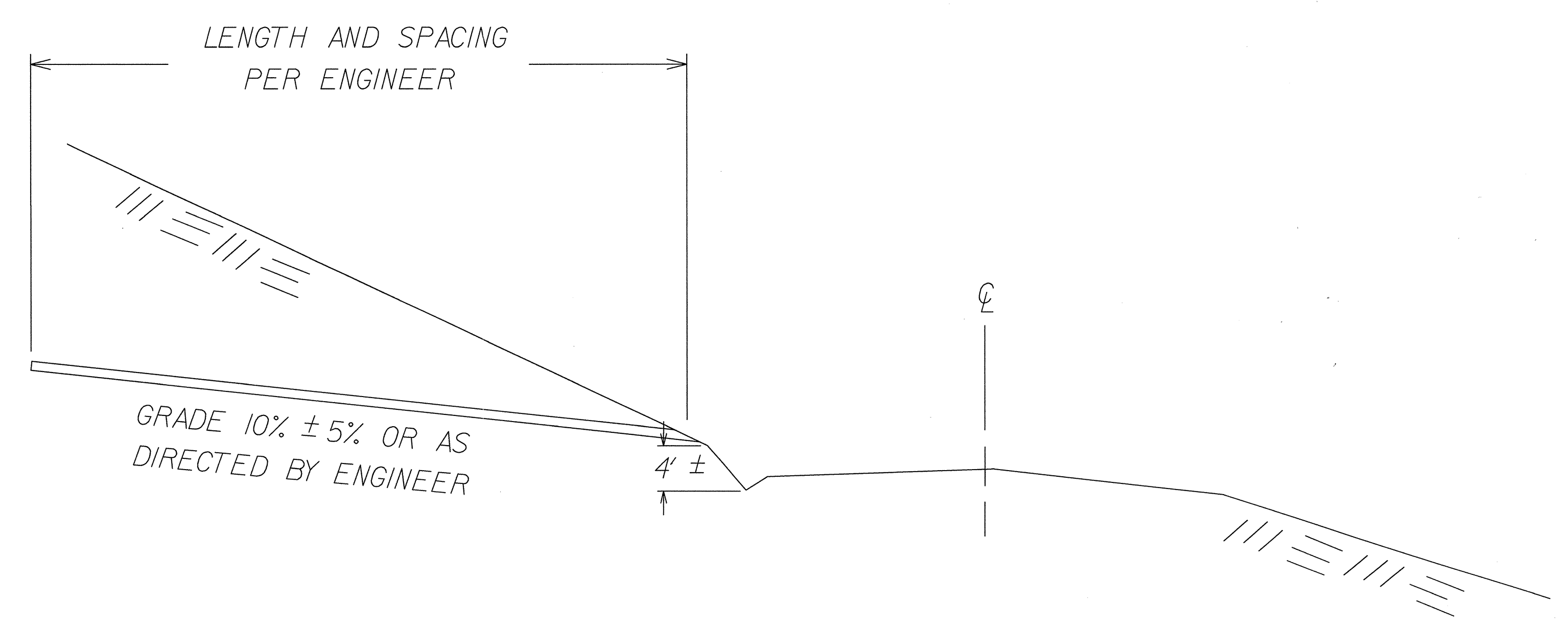
REVISIONS



DETAIL OF HORIZONTAL DRAINS  
N.T.S.

QUANTITIES

HORIZONTAL DRAIN BOREHOLE .....	12500 LF
1-1/2" SLOTTED PVC 2110 PIPE, TYPE II .....	10000 LF
1-1/2" UNSLOTTED PVC 2110 PIPE, TYPE II .....	2500 LF



TYPICAL CROSS SECTION  
N.T.S.

LOCATIONS TO BE DETERMINED BY ENGINEER

10/27/2004  
3:25:17 PM  
C:\B237B\Notes\Horizontal Drains\Detail Drawings\Detail 7.dwg