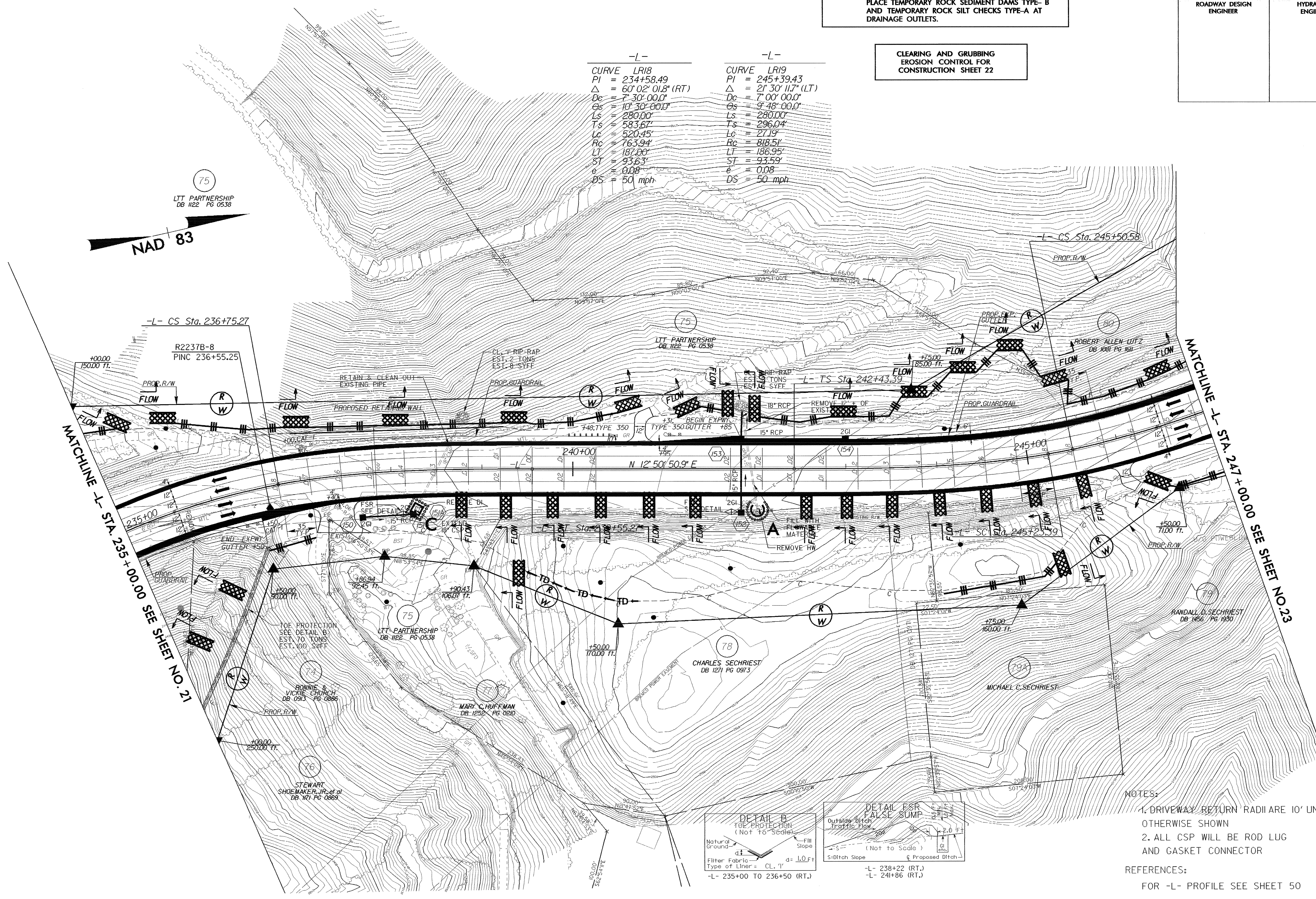
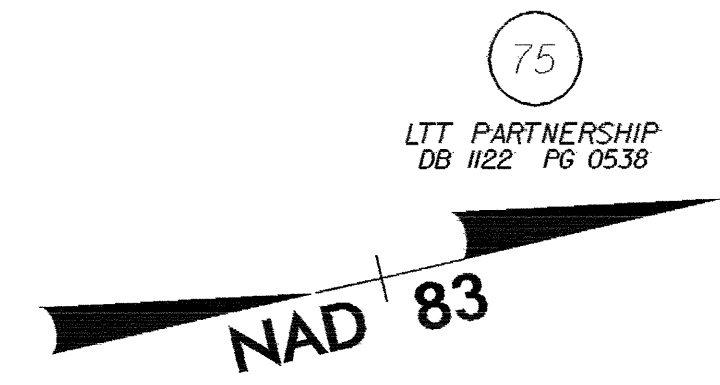


PROJECT REFERENCE NO.	SHEET NO.
R-2237B	EC-23/CONST 22
RW SHEET NO.	
ROADWAY DESIGN ENGINEER	HYDRAULICS ENGINEER

NOTE:
PLACE TEMPORARY ROCK SEDIMENT DAMS TYPE-B AND TEMPORARY ROCK SILT CHECKS TYPE-A AT DRAINAGE OUTLETS.

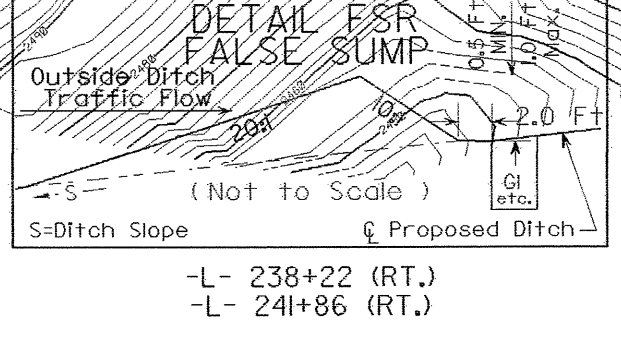
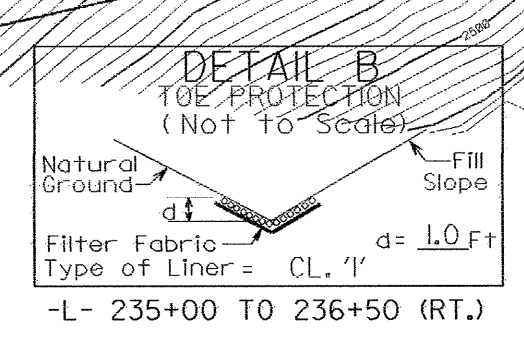
CLEARING AND GRUBBING
EROSION CONTROL FOR
CONSTRUCTION SHEET 22

-L-		-L-	
CURVE	LR18	CURVE	LR19
PI	= 234+58.49	PI	= 245+39.43
Δ	= 60° 02' 01.8" (RT)	Δ	= 21° 30' 11.7" (LT)
Dc	= 7° 30' 00.0"	Dc	= 7° 00' 00.0"
Θ_s	= 10° 30' 00.0"	Θ_s	= 9° 48' 00.0"
Ls	= 280.00'	Ls	= 280.00'
Ts	= 583.67'	Ts	= 296.04'
Lc	= 520.45'	Lc	= 27.19'
Rc	= 763.94'	Rc	= 818.51'
LT	= 187.00'	LT	= 186.95'
ST	= 93.63'	ST	= 93.59'
e	= 0.08'	e	= 0.08'
DS	= 50 mph	DS	= 50 mph



MATCHLINE -L- STA. 235+00.00 SEE SHEET NO. 21

MATCHLINE -L- STA. 247+00.00 SEE SHEET NO. 23



- NOTES:
1. DRIVEWAY RETURN RADII ARE 10' UNLESS OTHERWISE SHOWN
 2. ALL CSP WILL BE ROD LUG AND GASKET CONNECTOR

REFERENCES:
FOR -L- PROFILE SEE SHEET 50