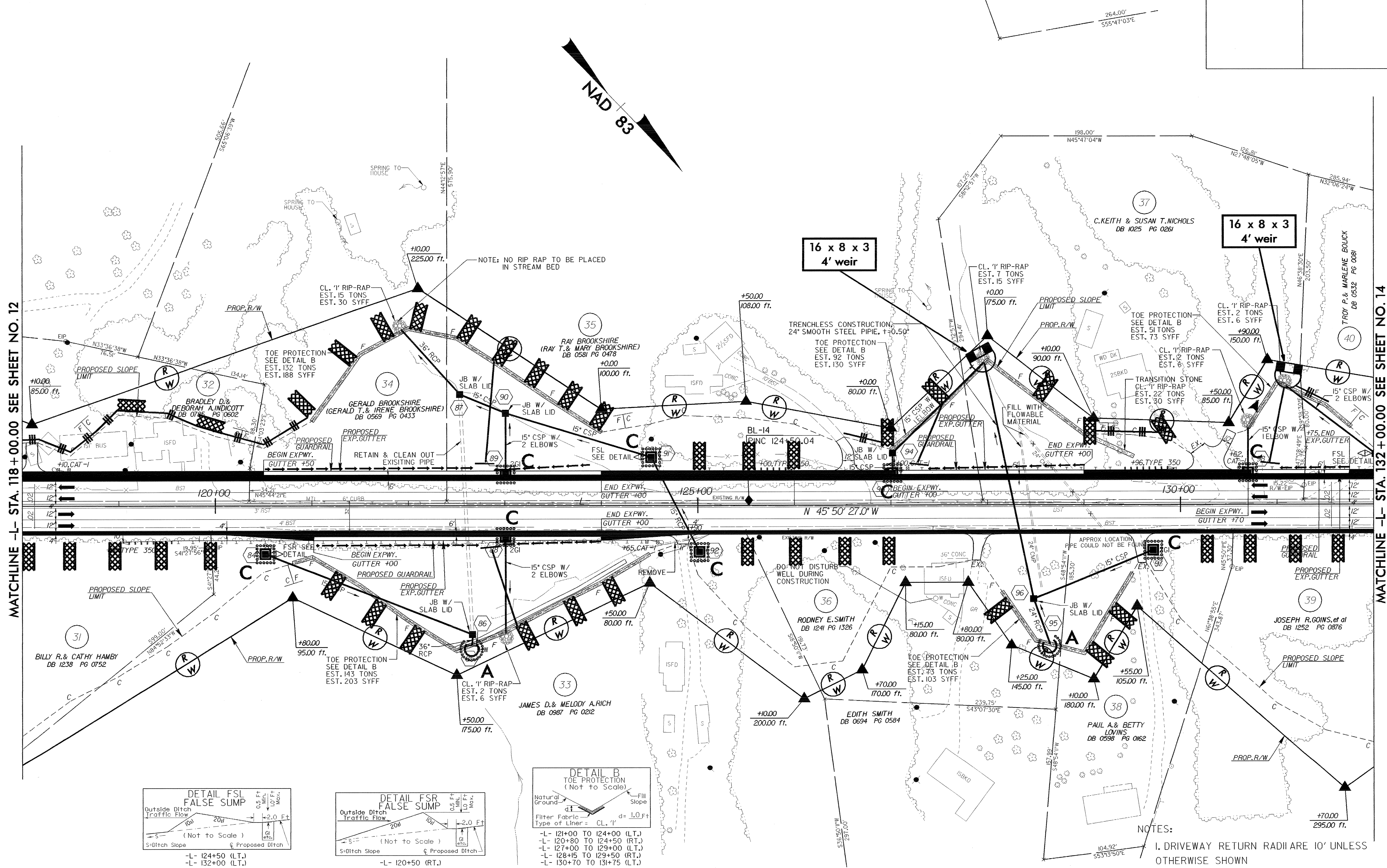
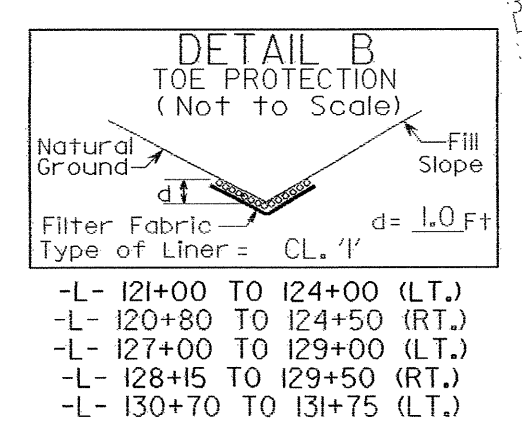
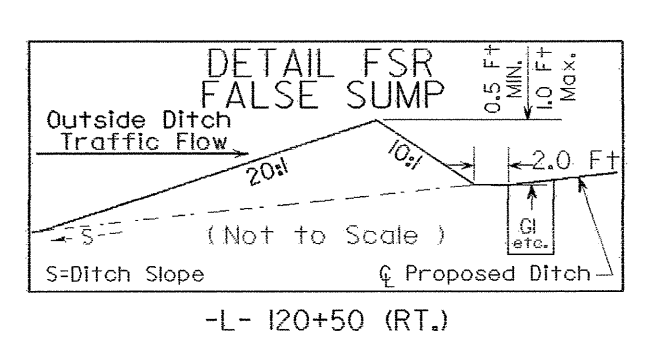
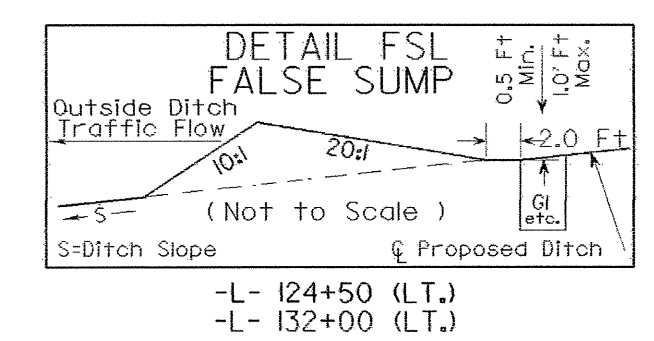


PROJECT REFERENCE NO.	SHEET NO.
R-2237B	EC-42/CONST 13
RW SHEET NO.	
ROADWAY DESIGN ENGINEER	HYDRAULICS ENGINEER



MATCHLINE -L- STA. 118+00.00 SEE SHEET NO. 12

MATCHLINE -L- STA. 132+00.00 SEE SHEET NO. 14



- NOTES:
1. DRIVEWAY RETURN RADII ARE 10' UNLESS OTHERWISE SHOWN
 2. ALL CSP WILL BE ROD LUG AND GASKET CONNECTOR
 3. ALL U/G TELEPHONE LOCATED AS MARKED BY PRO-MARK ON JULY 17 AND 18, 2000

REFERENCES:
 FOR -L- PROFILE SEE SHEET 41