

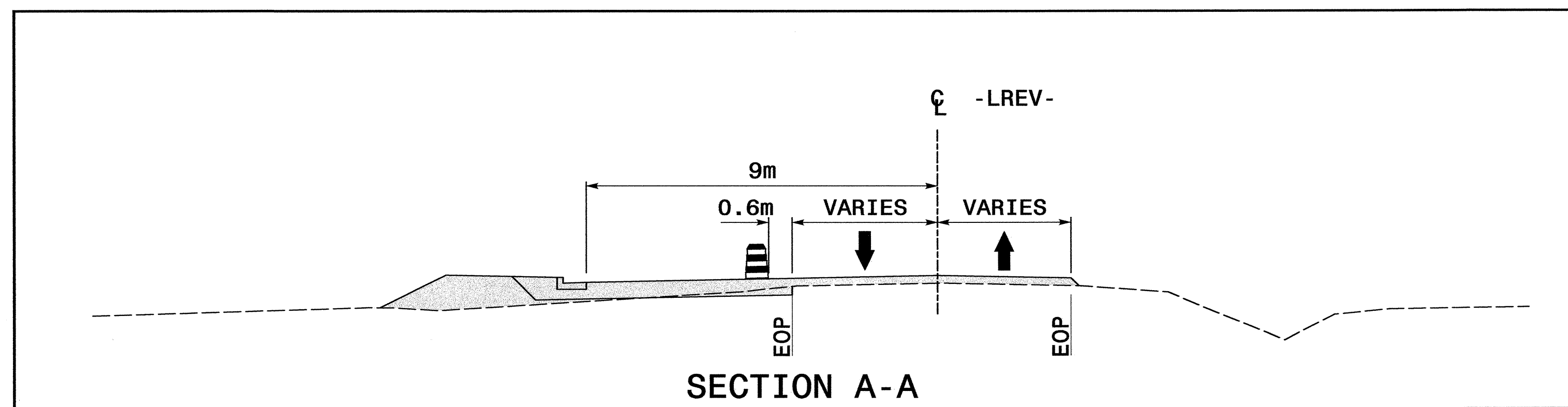
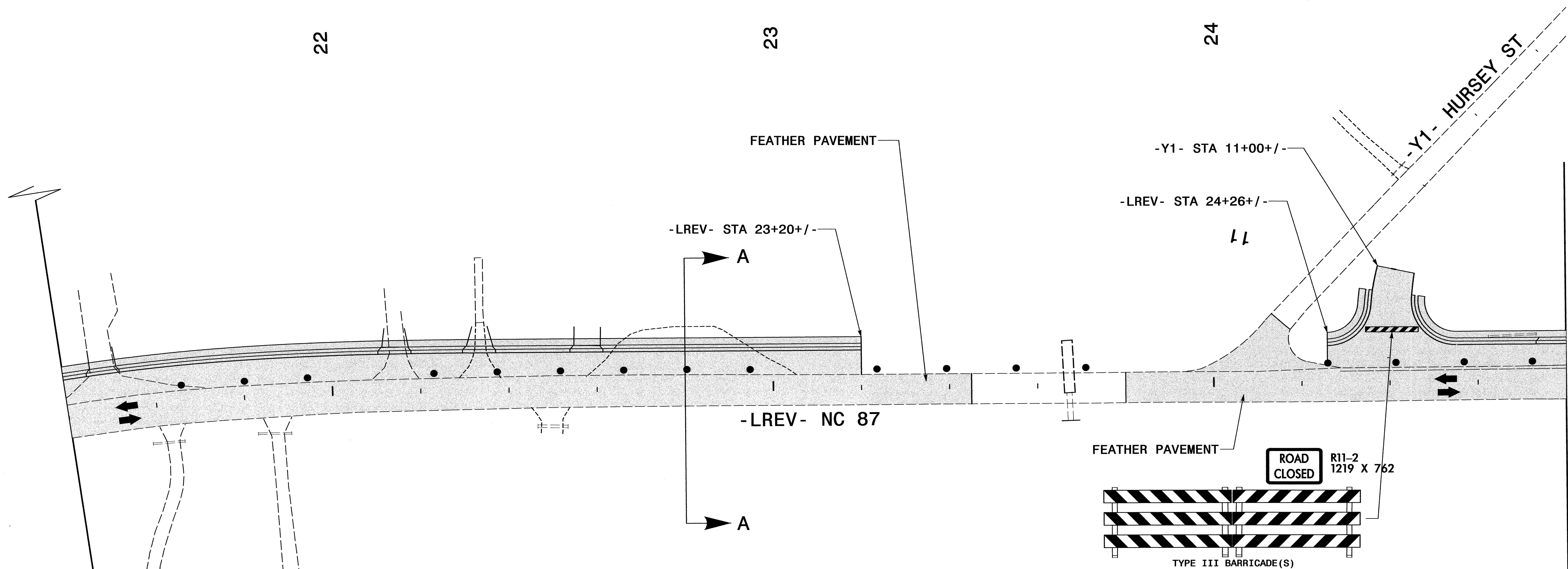


PROJ. REFERENCE NO. R-2562D	SHEET NO. TCP-4
--------------------------------	--------------------

22

23

24



PO BOX 30128 TELE 919.788.0224
 RALEIGH, NC 27622 FAX 919.788.0232

PHASE I - STEP 2											
SCALE: NONE											
DATE: 9/2004											
DWG. BY: KWB											
DESIGN BY: KWB											
REVIEWED BY: TRH											
<table border="1"> <thead> <tr> <th colspan="2">REVISIONS</th> </tr> </thead> <tbody> <tr> <td> </td> <td> </td> </tr> <tr> <td> </td> <td> </td> </tr> <tr> <td> </td> <td> </td> </tr> <tr> <td> </td> <td> </td> </tr> </tbody> </table>		REVISIONS									
REVISIONS											

9/13/2004 10:31:04 AM F:\projects\2562D\TrafFico\CON\TCP-4\2562D_top.dwg