



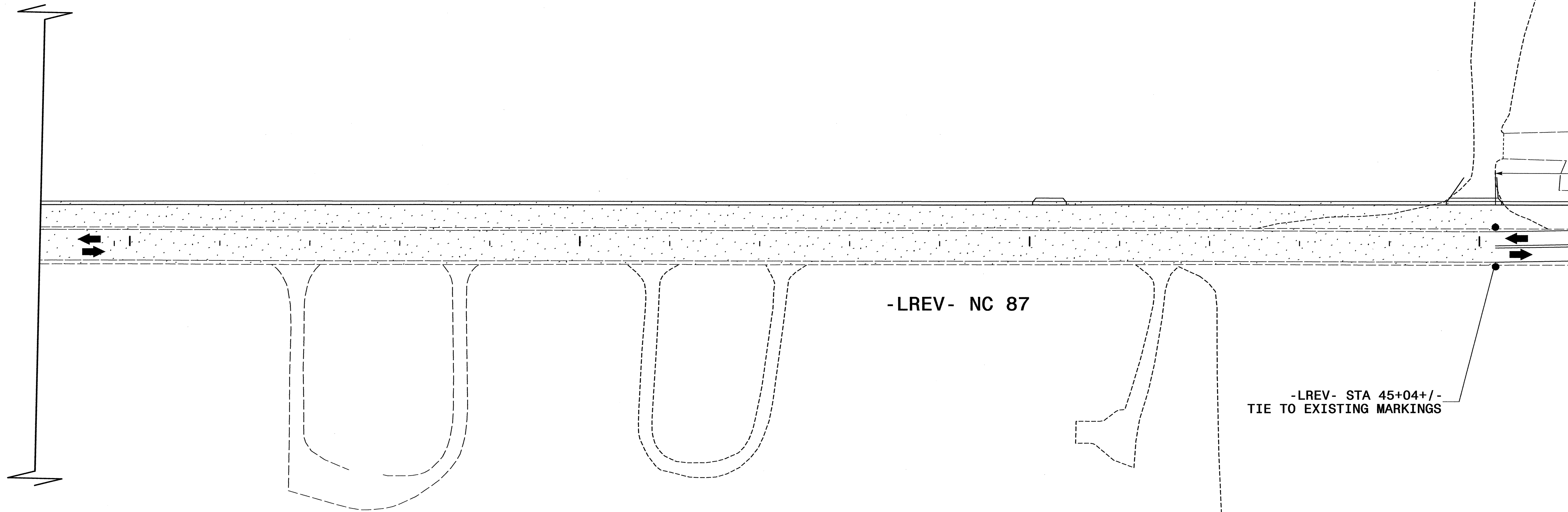
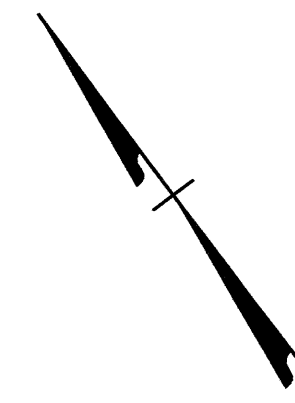
PROJ. REFERENCE NO.	SHEET NO.
R-2562D	TCP-26

42

43

44

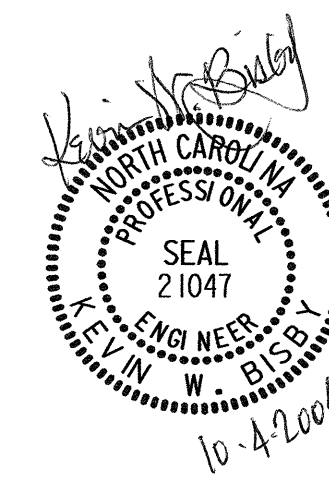
45



-LREV- NC 87

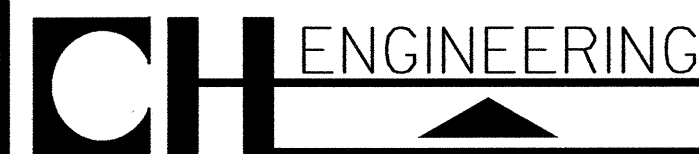
-LREV- STA 45+04+/-  
TIE TO EXISTING MARKINGS

MATCHLINE -LREV- STA 45+20 SEE TCP-27



SEE TCP-1A FOR PAVEMENT MARKING SCHEDULE

### PHASE I - STEP 7



PO BOX 30128 TELE 919.788.0224  
 RALEIGH, NC 27622 FAX 919.788.0232

SCALE:	NONE		REVISIONS
DATE:	9/2004		
DWG. BY:	KWB		
DESIGN BY:	KWB		
REVIEWED BY:	TRH		

07/27/2004 10:46:40 AM F:\projects\envi6\hertl\nc-2562\1\c11\c11\con\con\_04\nc-2562\01\_tcp-26\step7.dgn