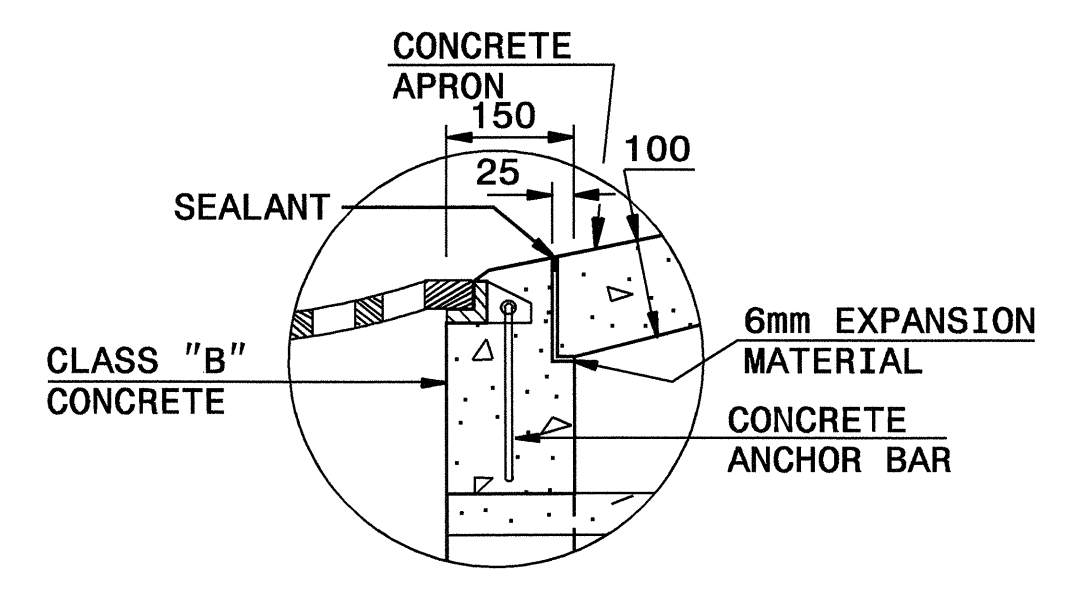
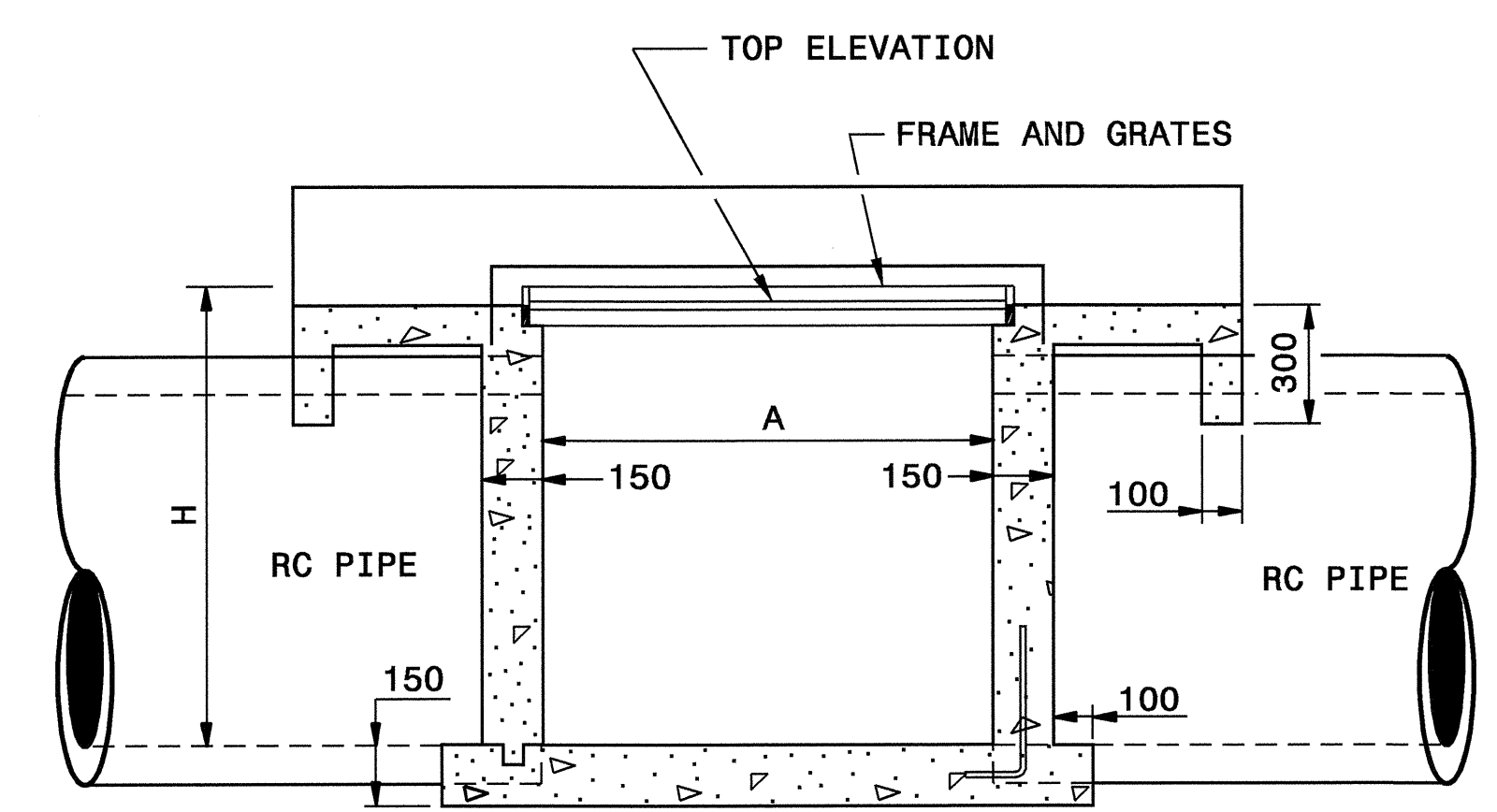


PLAN

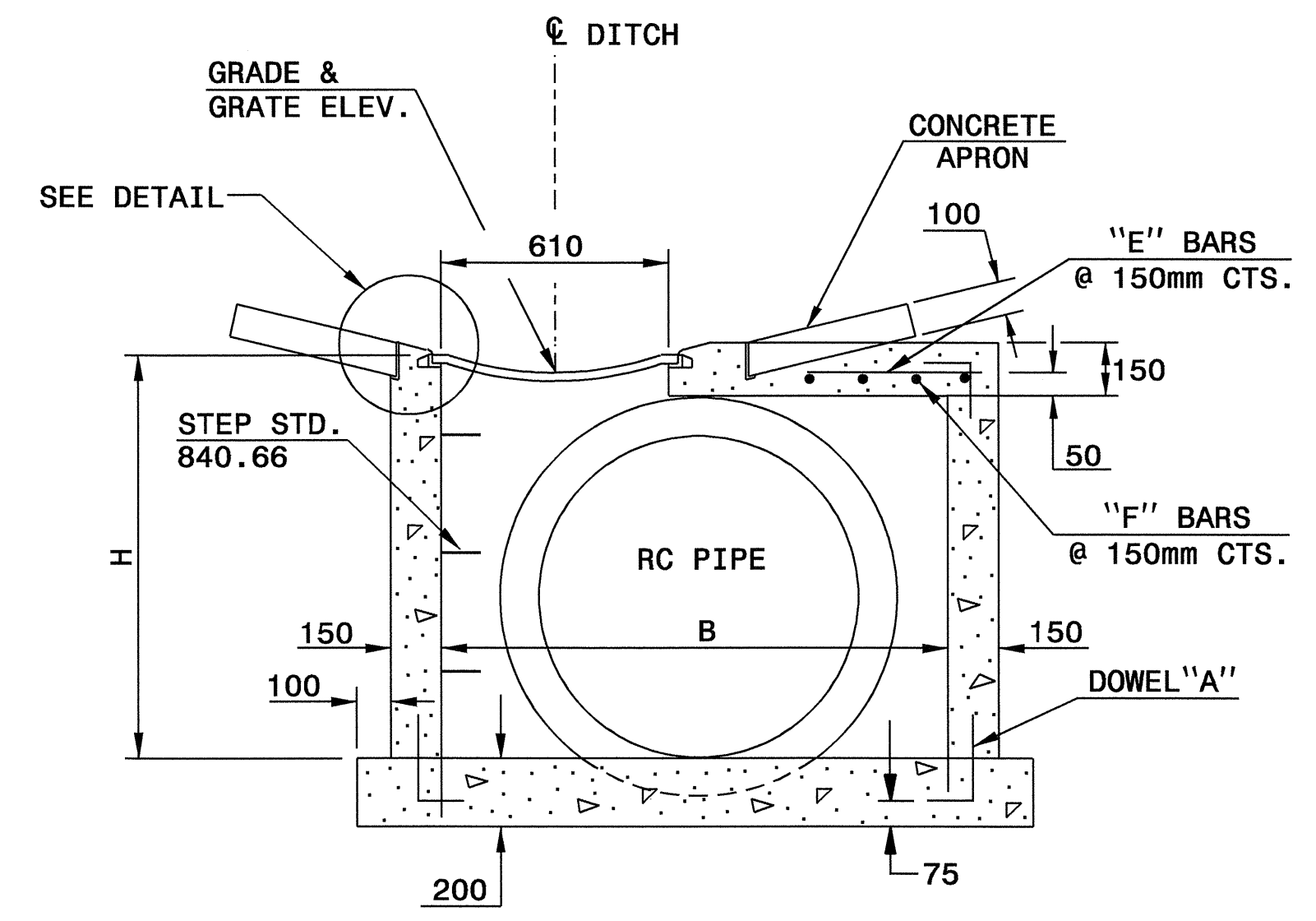


DETAIL
(APRON SUPPORT NOTCH)

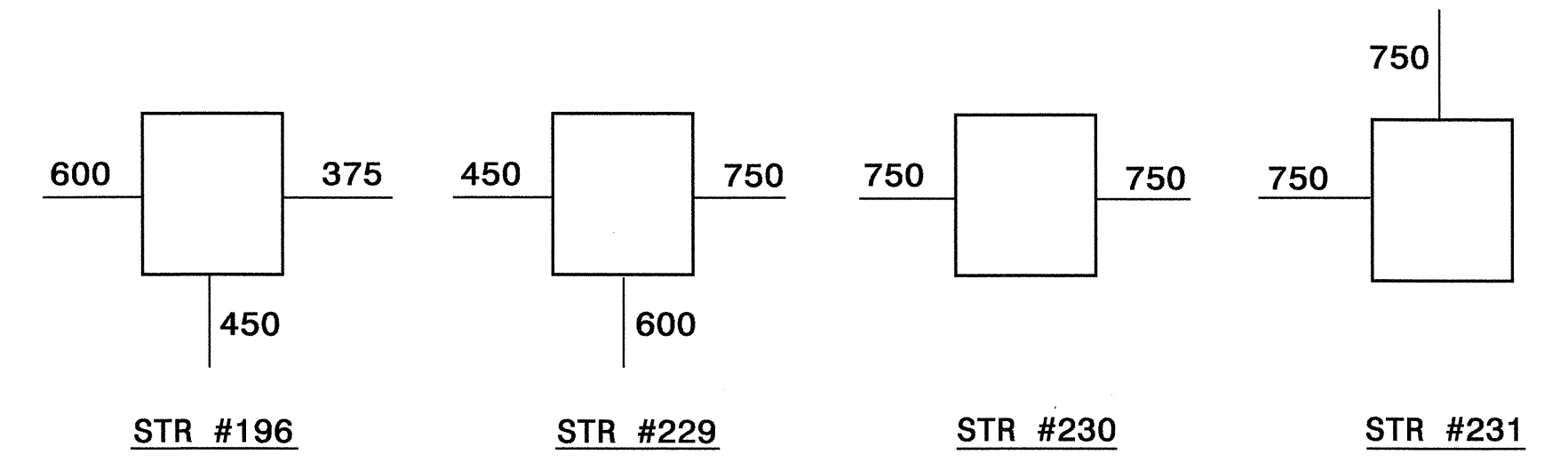
GENERAL NOTES:
 USE CLASS "B" CONCRETE THROUGHOUT.
 PROVIDE ALL DROP INLETS OVER 1.0m IN DEPTH WITH STEPS 300mm ON CENTER. USE STEPS WHICH COMPLY WITH STD. DRAWING 840.66.
 OPTIONAL CONSTRUCTION - MONOLITHIC POUR, 50mm KEYWAY, OR #13 BAR DOWELS AT 300mm CENTERS AS DIRECTED BY THE ENGINEER.
 USE FORMS FOR THE CONSTRUCTION OF THE BOTTOM SLAB.
 IF REINFORCED CONCRETE PIPE IS SET IN BOTTOM SLAB OF BOX, ADD TO SLAB AS SHOWN ON STD. NO. 840.00.
 WHEN PAYMENT FOR THE DROP INLET IS MADE ON APER EACH BASIS, THE CONCRETE APRON WILL BE CONSIDERED PART OF THE DROP INLET.
 CONSTRUCT WITH PIPE CROWNS MATCHING.
 USE STANDARD FRAMES AND GRATES 840.22 (SHOWN), 840.24 (SHOWN), 840.20, 840.29, AND 840.33.
 SEE STANDARD DRAWING 840.25 FOR ATTACHMENT OF FRAMES AND GRATES NOT SHOWN.
 CHAMFER ALL EXPOSED CORNERS 25mm.



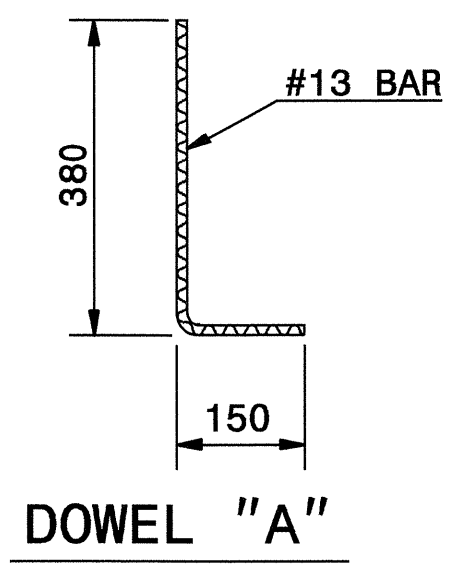
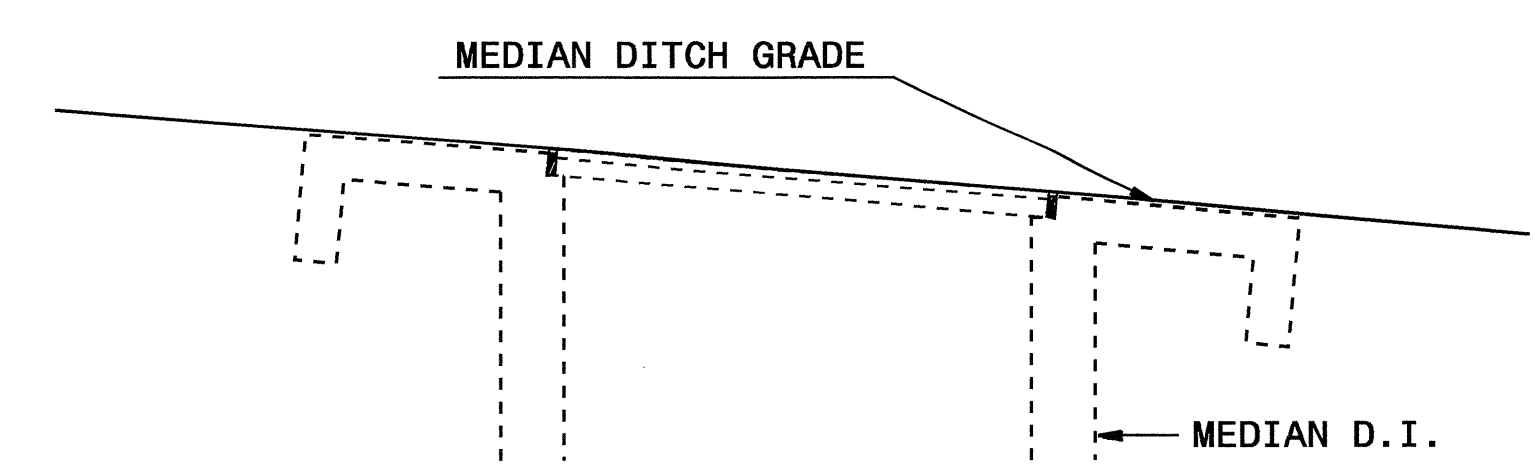
SECTION X-X



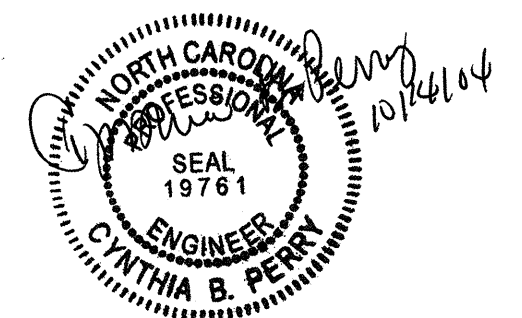
SECTION Y-Y



DROP INLET LOCATIONS



PIPE	SPAN	WIDTH	HEIGHT	CUBIC METER OF CONCRETE IN BOX			DEDUCTIONS FOR ONE PIPE		
				BOTTOM SLAB	H PER M. HT.	H MIN. TOTAL	TOTAL	C.S.	R.C.
450	1118	1060	810	0.276	0.620	0.393	0.670	0.025	0.037
600	1118	1060	1070	0.276	0.620	0.503	0.780	0.045	0.065
750	1118	1240	1094	0.276	0.620	0.597	0.874	0.070	0.097
900	1118	1420	1118	0.276	0.620	0.692	0.969	0.100	0.136



DESIGN SERVICES UNIT
STANDARDS AND SPECIAL DESIGN
 Office 919-250-4128 FAX 919-250-4119

SPECIAL CONCRETE
MEDIAN DROP INLET

ORIGINAL BY: T. Spell DATE: 7-1-04
 MODIFIED BY: DATE:
 CHECKED BY: DATE: 9/20/04
 FILE SPEC: w:\details\metric\stand\840d19mm.dgn

I7-SEP-2004 10:01
 M:\Special\Detail\840d19mm_r_256z.dwg
 Tspell AT 05203655