

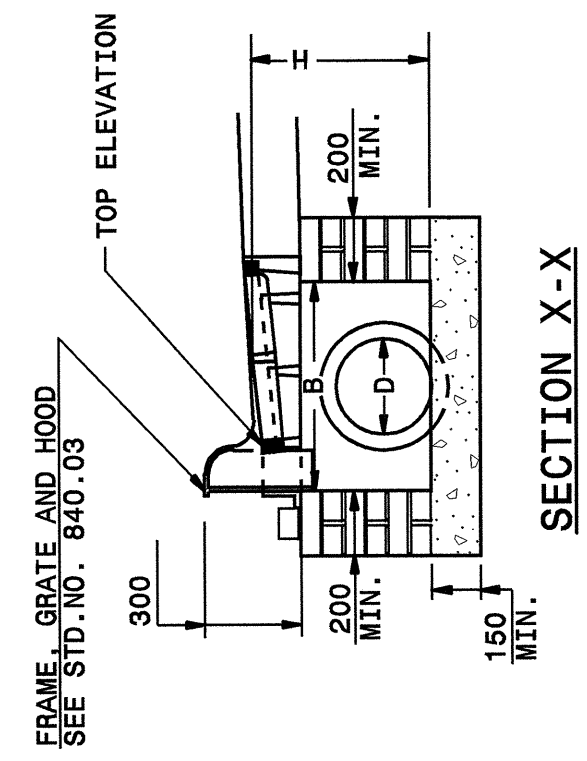


STATE OF NORTH CAROLINA DEPT. OF TRANSPORTATION DIVISION OF HIGHWAYS RALEIGH, N.C.

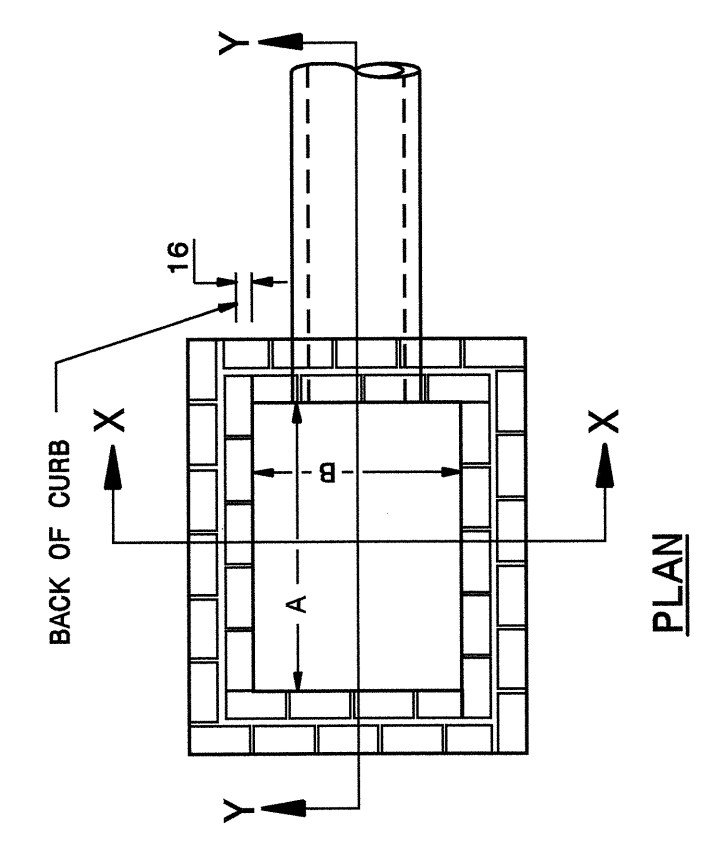
ENGLISH DETAIL DRAWING FOR
MINIMUM DEPTH BRICK CATCH BASIN
 300mm THRU 600mm PIPE

SHEET 1 OF 1
840D01

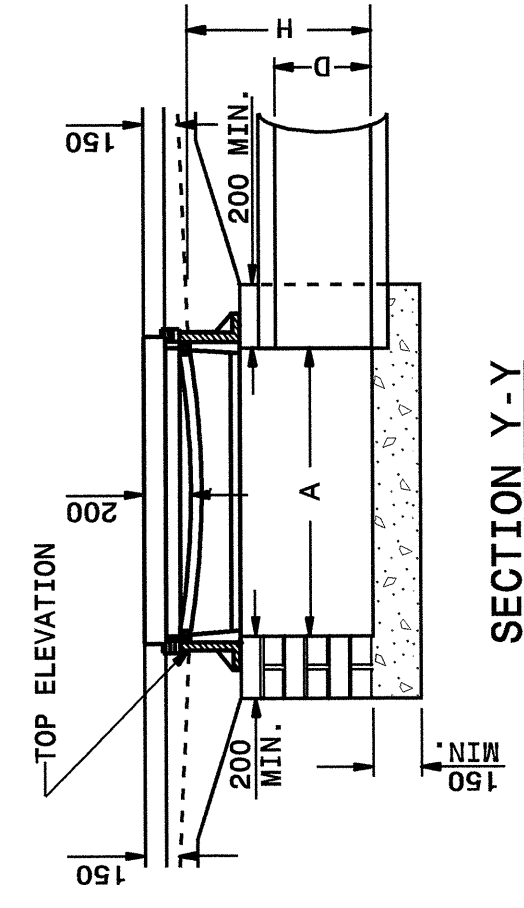
GENERAL NOTES:
 MORTAR JOINTS 13mm TO 3mm THICK.
 USE CLASS "B" CONCRETE THROUGHOUT.
 USE FORMS FOR CONSTRUCTION OF THE BOTTOM SLAB.
 DEDUCT FOR PIPE(S) FROM TOTAL CU. METERS OF BRICK MASONRY.
 USE TYPE "E", "F" AND "G" GRATES UNLESS OTHERWISE INDICATED.
 USE BRICK OR CONCRETE BLOCK WHICH COMPLIES WITH THE REQUIREMENTS OF SECTION 840 OF THE STANDARD SPECIFICATIONS.
 IF REINFORCED CONCRETE PIPE IS SET IN BOTTOM SLAB OF BOX, ADD TO SLAB AS SHOWN ON STD. NO. 840.00.
 CONSTRUCT WITH PIPE CROWNS MATCHING.
 CHAMFER ALL EXPOSED CORNERS 25mm.
 DRAWING NOT TO SCALE.



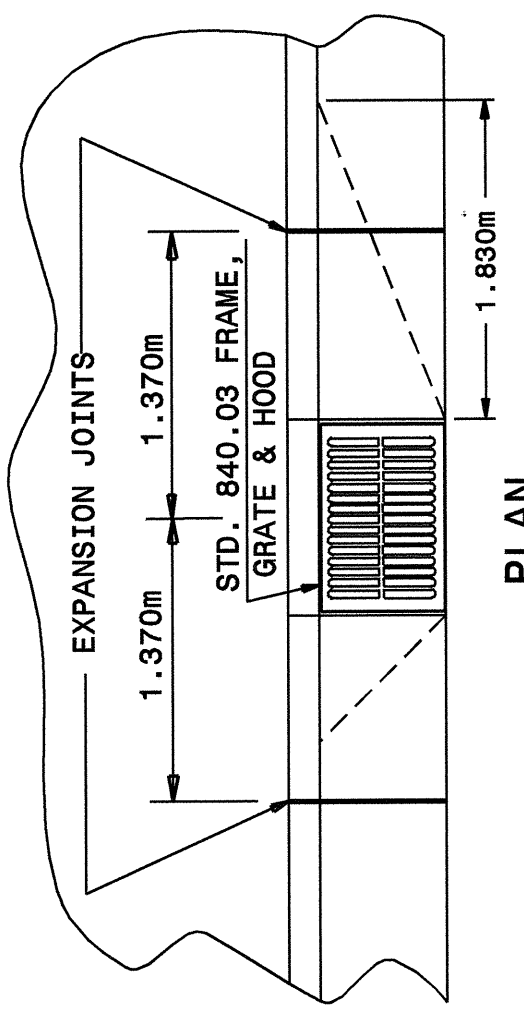
SECTION X-X



PLAN

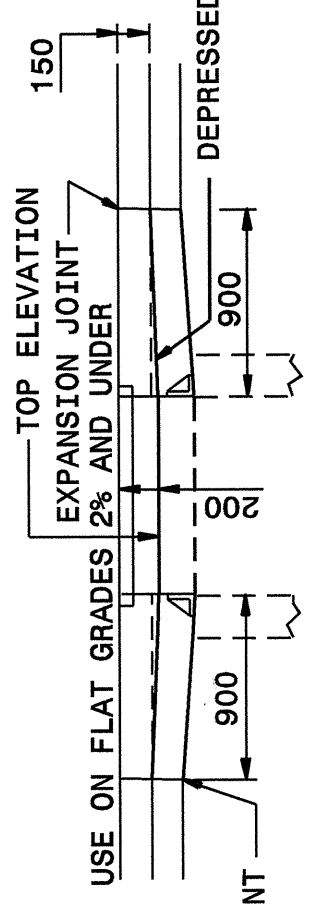


SECTION Y-Y



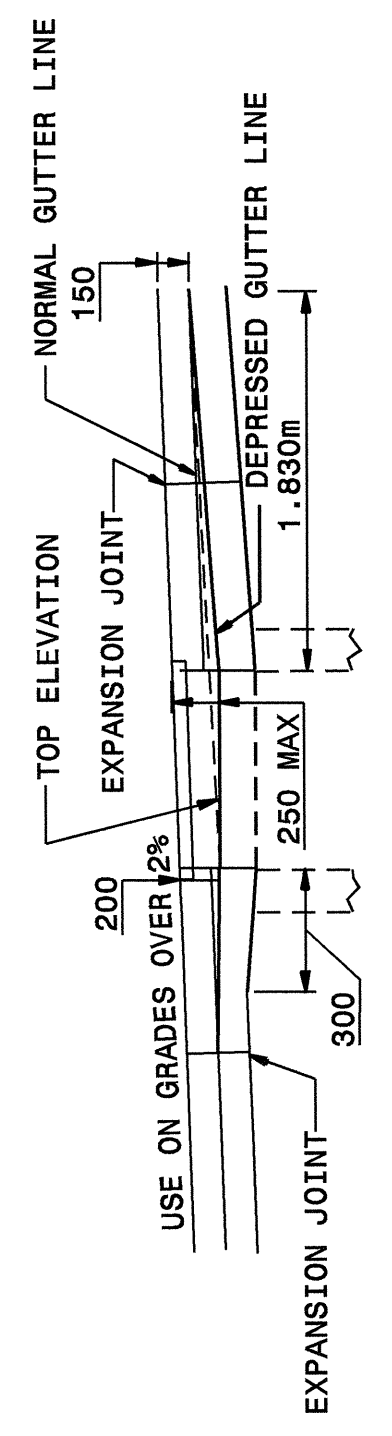
PLAN

CURB AND GUTTER WITH CATCH BASIN ON STEEP GRADES



ELEVATION

NORMAL CURB AND GUTTER ON LIGHT GRADES



ELEVATION

NORMAL CURB AND GUTTER ON STEEP GRADES

MINIMUM DIMENSIONS AND QUANTITIES FOR BRICK CATCH BASIN									
DIMENSIONS OF BOX AND PIPE		CU. METERS CONC. IN BOX		BRICK MASONRY		TOTAL CONC. IN WALLS		DEDUCTIONS ONE PIPE	
PIPE D	SPAN	WIDTH	MIN. HEIGHT	BOTTOM SLAB	TOTAL CONC.	BRICK MSR IN WALLS	TOTAL CONC. IN WALLS	C.S.	R.C.
300	914	660	600	0.214	0.214	0.675	0.889	0.015	0.024
375	914	660	680	0.214	0.214	0.736	0.950	0.023	0.035
450	914	660	750	0.214	0.214	0.797	1.011	0.033	0.049
600	914	660	925	0.214	0.214	0.921	1.135	0.059	0.086

STATE OF NORTH CAROLINA DEPT. OF TRANSPORTATION DIVISION OF HIGHWAYS RALEIGH, N.C.

ENGLISH DETAIL DRAWING FOR
MINIMUM DEPTH BRICK CATCH BASIN
 300mm THRU 600mm PIPE

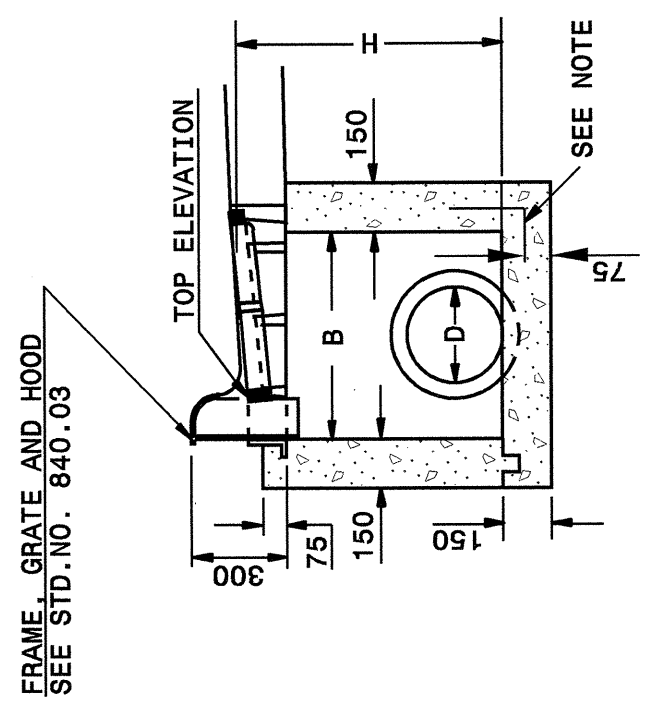
SHEET 1 OF 1
840D01

STATE OF NORTH CAROLINA DEPT. OF TRANSPORTATION DIVISION OF HIGHWAYS RALEIGH, N.C.

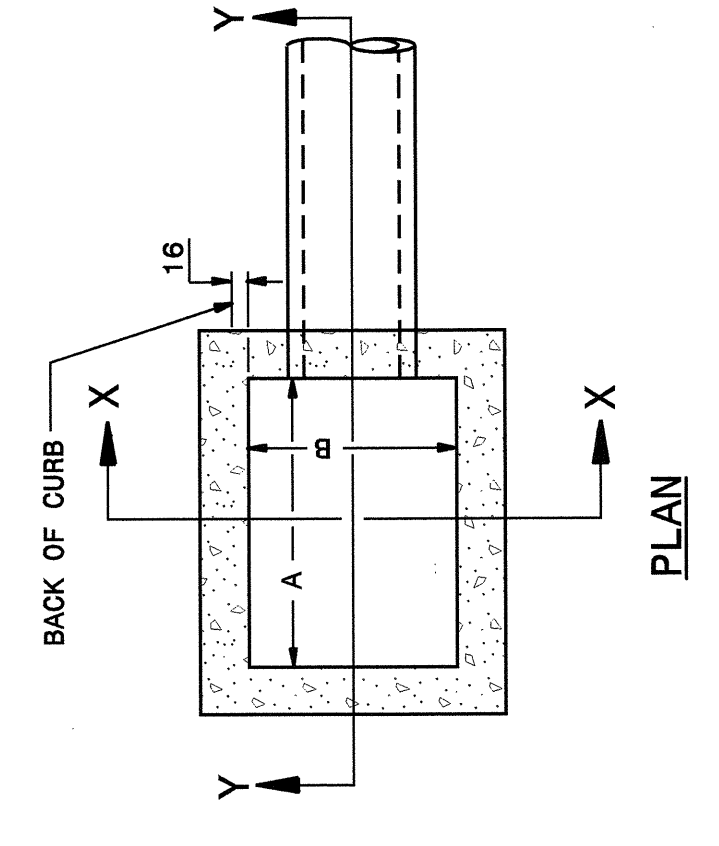
ENGLISH DETAIL DRAWING FOR
MINIMUM DEPTH CONCRETE CATCH BASIN
 300mm THRU 600mm PIPE

SHEET 1 OF 1
840D02

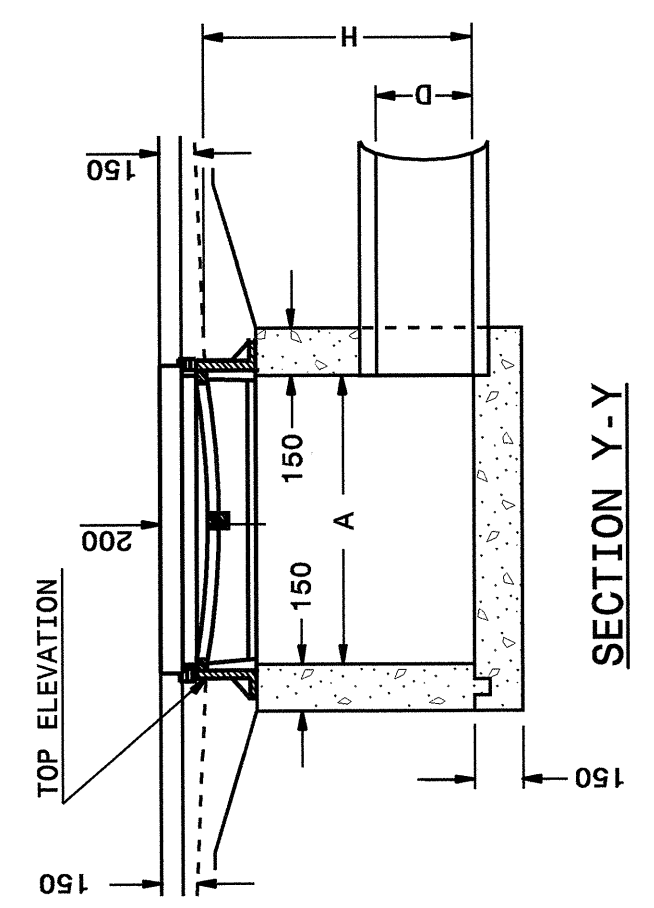
GENERAL NOTES:
 USE CLASS "B" CONCRETE THROUGHOUT.
 OPTIONAL CONSTRUCTION - MONOLITHIC POUR, 50mm KEYWAY, OR #19 BAR DOWELS AT 12" CENTERS AS DIRECTED BY THE ENGINEER.
 USE FORMS FOR THE CONSTRUCTION OF THE BOTTOM SLAB.
 IF REINFORCED CONCRETE PIPE IS SET IN BOTTOM SLAB OF BOX, ADD TO SLAB AS SHOWN ON STD. NO. 840.00.
 USE TYPE "E", "F" AND "G" GRATES UNLESS OTHERWISE INDICATED.
 CONSTRUCT WITH PIPE CROWNS MATCHING.
 CHAMFER ALL EXPOSED CORNERS 25mm.
 DRAWING NOT TO SCALE.



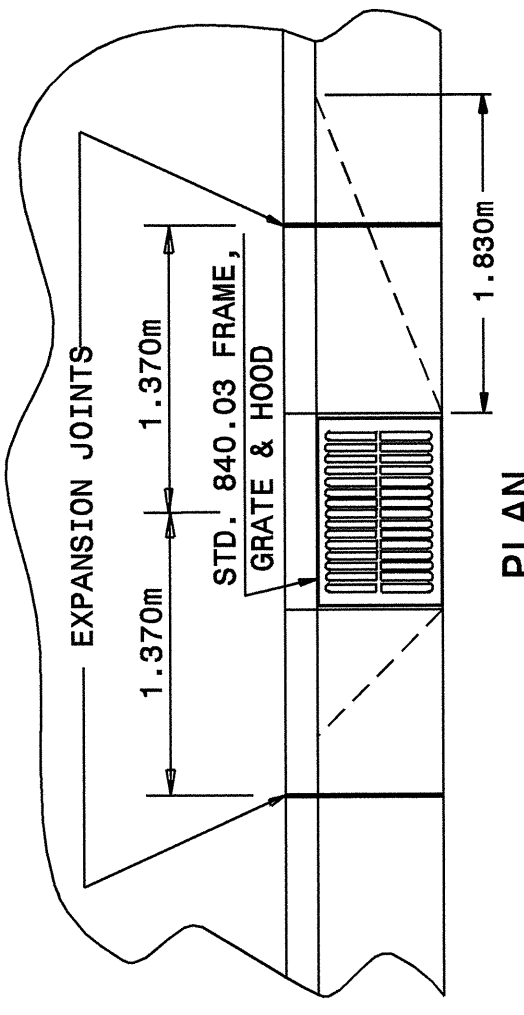
SECTION X-X



PLAN

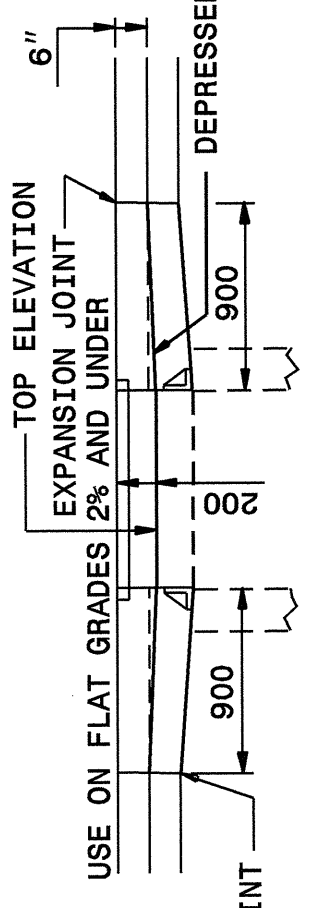


SECTION Y-Y



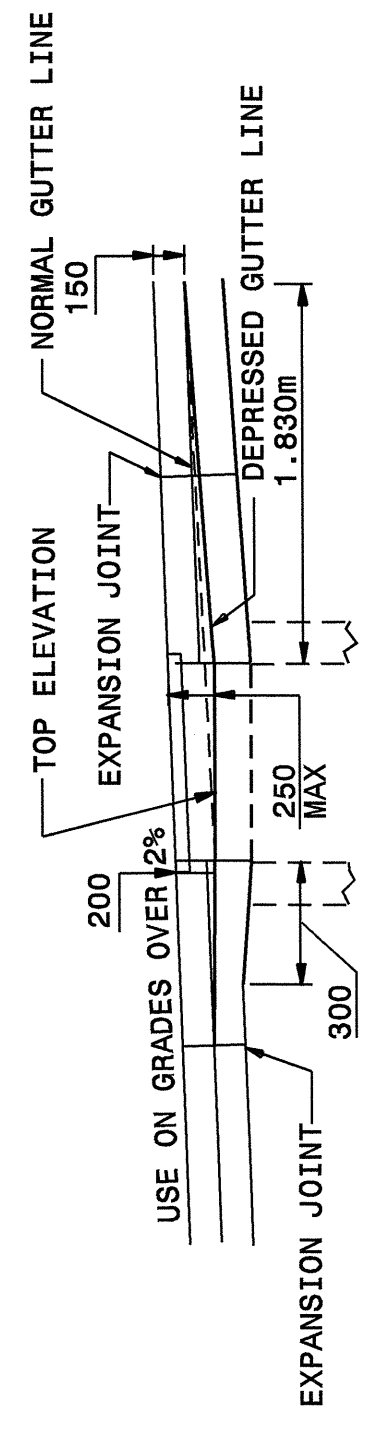
PLAN

CURB AND GUTTER WITH CATCH BASIN ON STEEP GRADES



ELEVATION

NORMAL CURB AND GUTTER ON LIGHT GRADES



ELEVATION

NORMAL CURB AND GUTTER ON STEEP GRADES

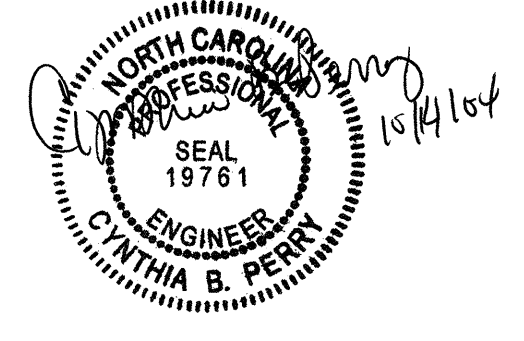
MINIMUM DIMENSIONS AND QUANTITIES FOR CONCRETE CATCH BASIN									
DIMENSIONS OF BOX AND PIPE		CU. METERS CONC. IN BOX		CONCRETE IN WALLS		TOTAL CONC. IN WALLS		DEDUCTIONS ONE PIPE	
PIPE D	SPAN	WIDTH	MIN. HEIGHT	BOTTOM SLAB	TOTAL CONC.	CONCRETE IN WALLS	TOTAL CONC. IN WALLS	C.S.	R.C.
300	914	660	600	0.179	0.335	0.514	0.011	0.024	
375	914	660	675	0.179	0.377	0.556	0.017	0.027	
450	914	660	750	0.179	0.419	0.598	0.025	0.037	
600	914	660	925	0.179	0.516	0.695	0.045	0.065	

STATE OF NORTH CAROLINA DEPT. OF TRANSPORTATION DIVISION OF HIGHWAYS RALEIGH, N.C.

ENGLISH DETAIL DRAWING FOR
MINIMUM DEPTH CONCRETE CATCH BASIN
 300mm THRU 600mm PIPE

SHEET 1 OF 1
840D02

I:\7-SEP-2004 14:02
 W:\Special_Deigns\metric\cb_mindepth.dgn
 .tspell At Ds203655



DESIGN SERVICES UNIT
 STANDARDS AND SPECIAL DESIGN
 Office 919-250-4128 FAX 919-250-4119

SEE PLATE FOR TITLE

ORIGINAL BY: STD. 840.01 DATE:
 MODIFIED BY: E.E. WARD DATE: 6-02
 CHECKED BY: E.E. WARD DATE: 7/20/04
 FILE SPEC.: w:eward/metric/cb_mindepth.dgn