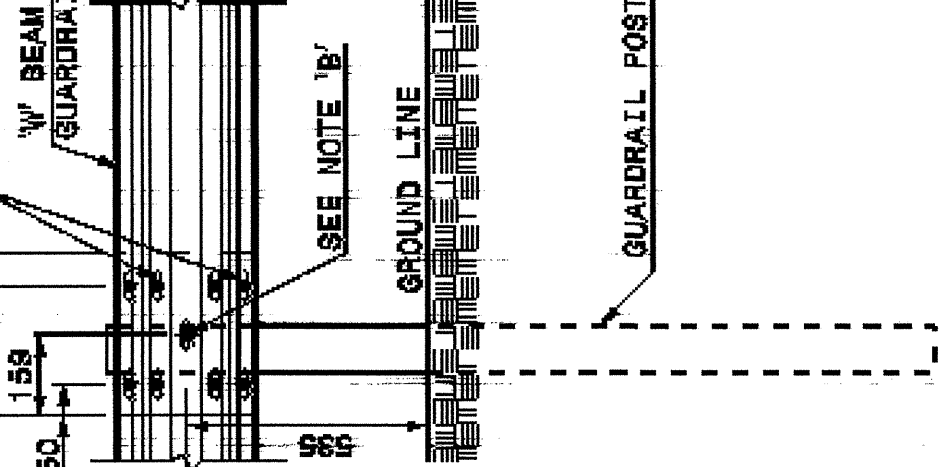
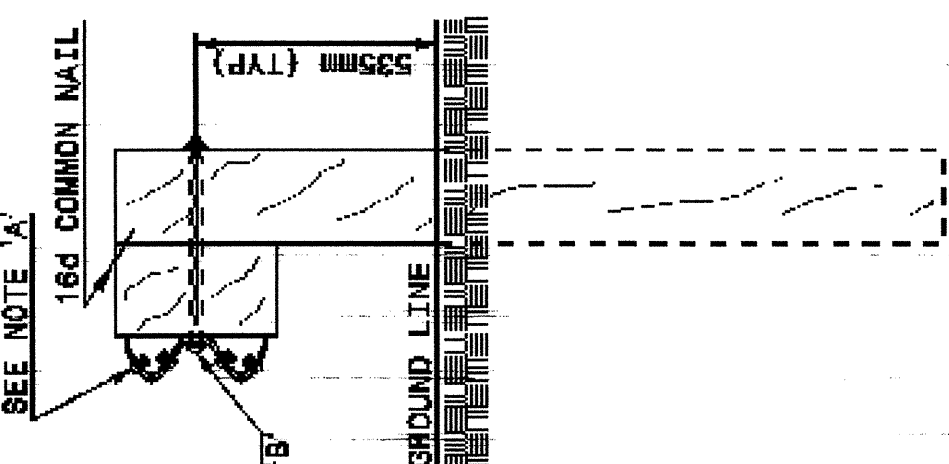
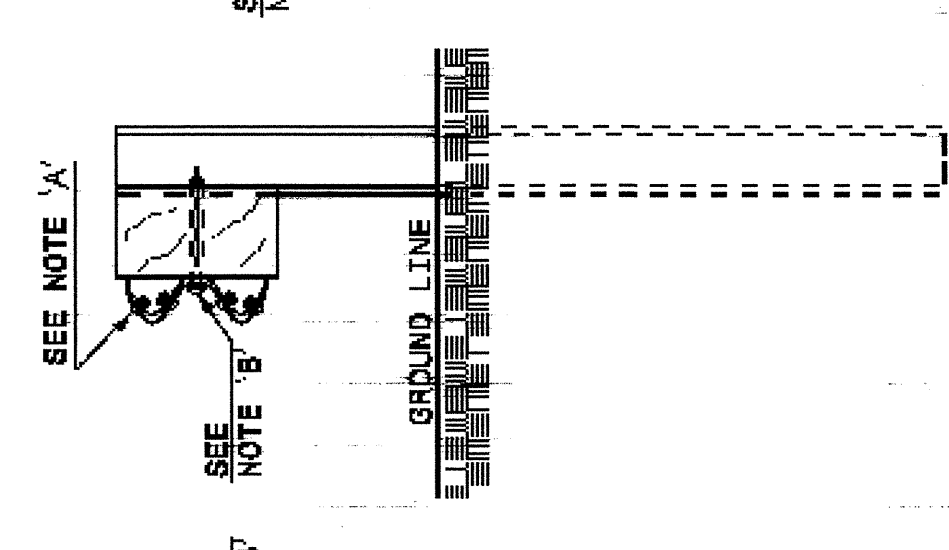
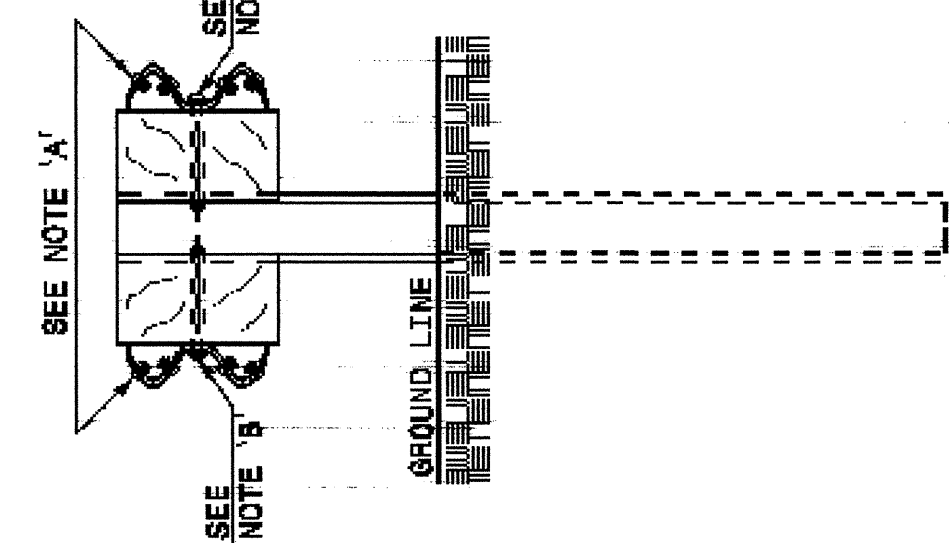
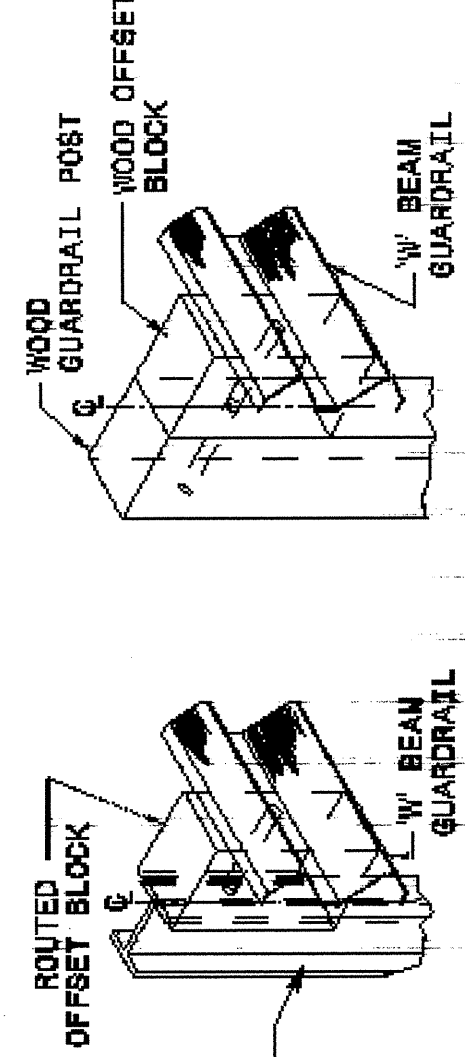
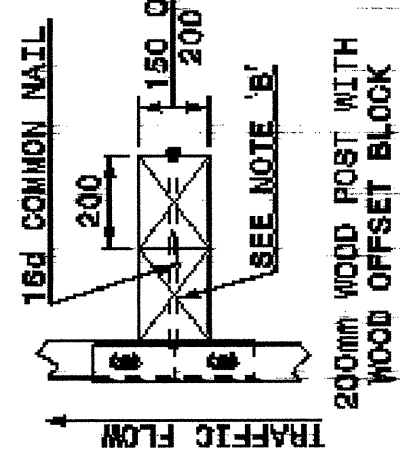
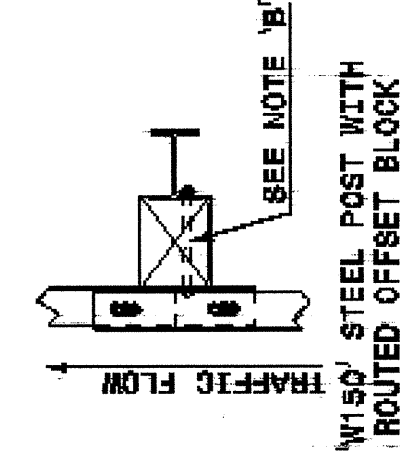
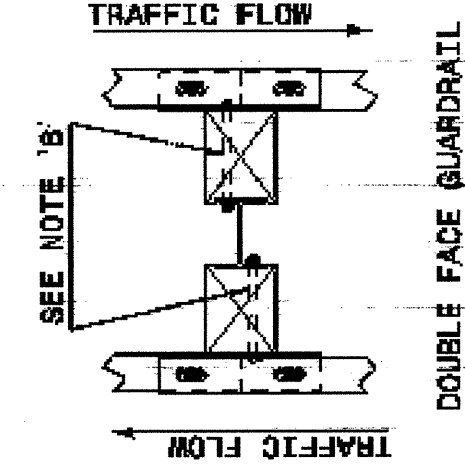


2007-01-23 10:51:55
 s:\projects\2007\stds\stds to Special Detai\386222\386222.dwg
 3/22/07 10:51:55
 386222.dwg

STATE OF
 NORTH CAROLINA
 DEPT. OF TRANSPORTATION
 DIVISION OF HIGHWAYS
 RALEIGH, N.C.

METRIC DETAIL DRAWING FOR
 GUARDRAIL INSTALLATION

SHEET 3 OF 7
 862D02



NOTES:
 A - 16mm DIA. BUTTON HEAD SPRING BOLT, 32mm LONG WITH STD. WASHER UNDER NUT (8 REQ. PER SPLICE JOINT).
 B - 16mm DIA. BUTTON HEAD BOLT, 190mm/228mm LONG WITH NUT FOR BOLTING 150mm/200mm ROUTED OFFSET BLOCK TO STEEL POSTS OR
 16mm DIA. BUTTON HEAD BOLT, 457mm LONG WITH STD. WASHER UNDER NUT FOR BOLTING TO WOOD POSTS (1 REQ. PER LOCATION)
 C - FIELD PUNCH HOLES INTO THE GUARDRAIL AS DIRECTED BY THE ENGINEER.

Note:
 This drawing is dimensioned in
 millimeters unless otherwise
 depicted within the drawing.

TYPICAL GUARDRAIL AND GUARDRAIL POST ALTERNATIVES

STATE OF
 NORTH CAROLINA
 DEPT. OF TRANSPORTATION
 DIVISION OF HIGHWAYS
 RALEIGH, N.C.

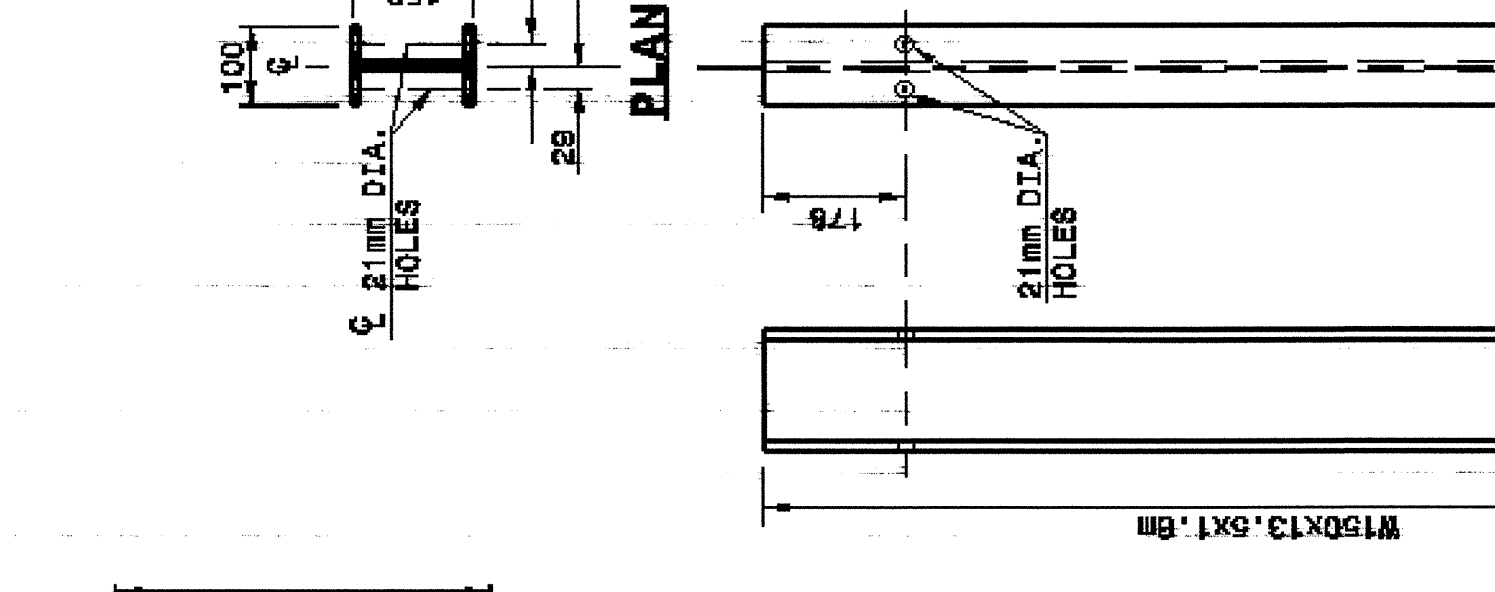
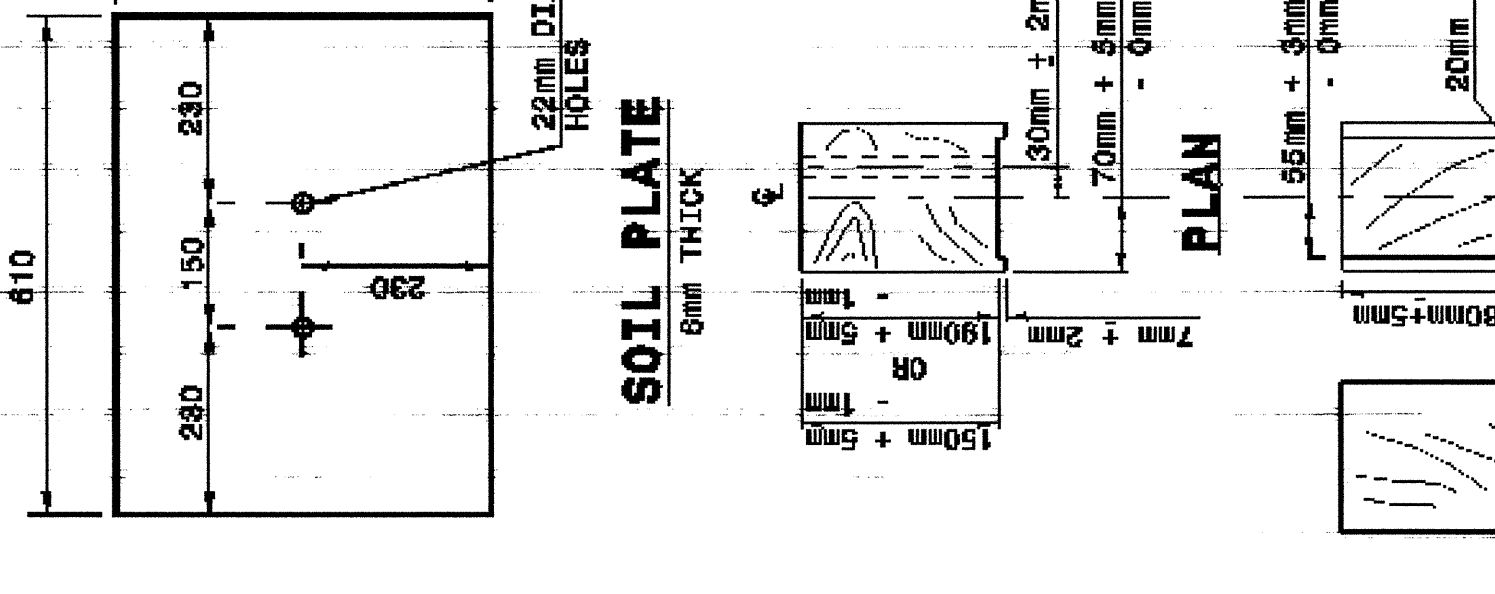
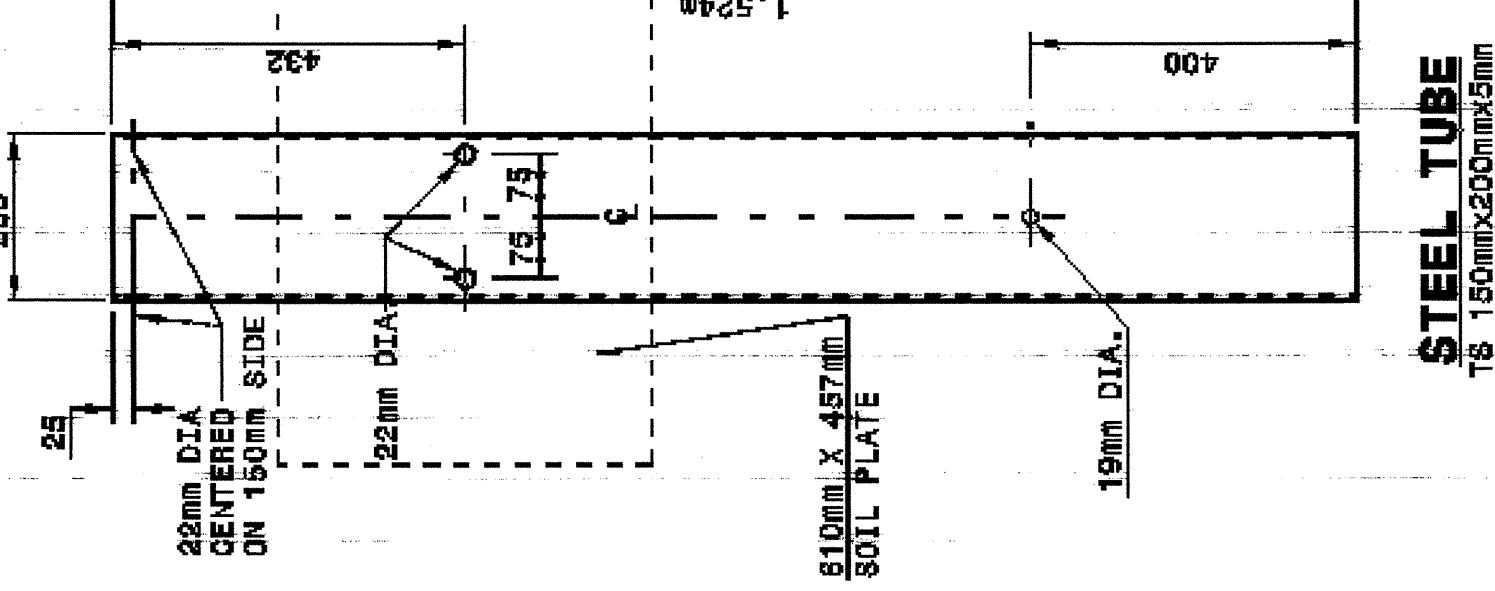
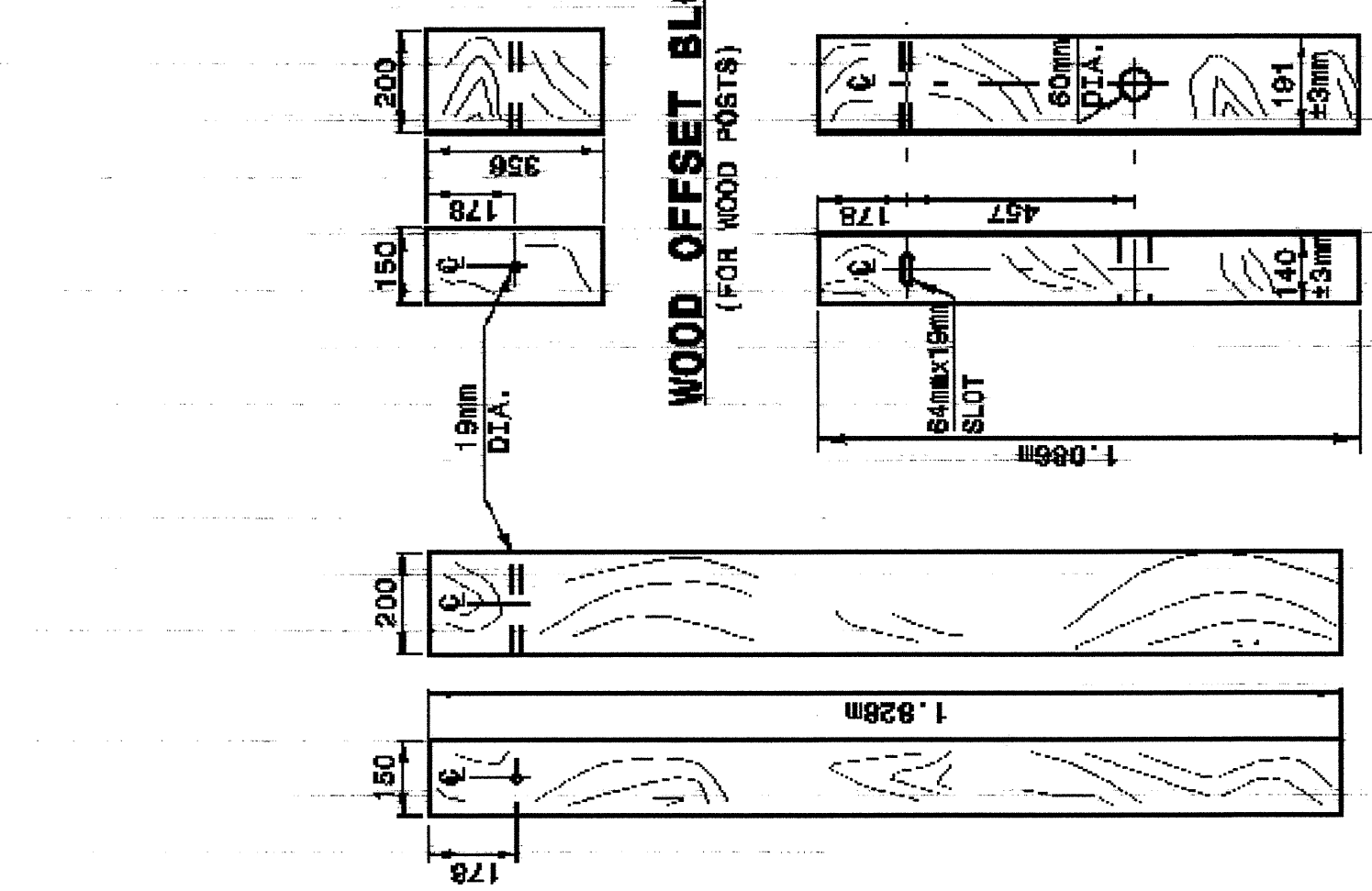
METRIC DETAIL DRAWING FOR
 GUARDRAIL INSTALLATION

SHEET 3 OF 7
 862D02

STATE OF
 NORTH CAROLINA
 DEPT. OF TRANSPORTATION
 DIVISION OF HIGHWAYS
 RALEIGH, N.C.

METRIC DETAIL DRAWING FOR
 GUARDRAIL INSTALLATION

SHEET 4 OF 7
 862D02



Note:
 This drawing is dimensioned in
 millimeters unless otherwise
 depicted within the drawing.

SYSTEM PARTS

DESIGN SERVICES UNIT
 STANDARDS AND SPECIAL DESIGN
 Office 919-250-4128 FAX 919-250-4119

SEE PLATE FOR TITLE

ORIGINAL BY: 2002 STD.862.02 DATE:
 MODIFIED BY: E.E. WARD DATE: 02-09-03
 CHECKED BY: DATE:
 FILE SPEC.: rusr/stds/02todetail/metric/86202/86202m.dwg

