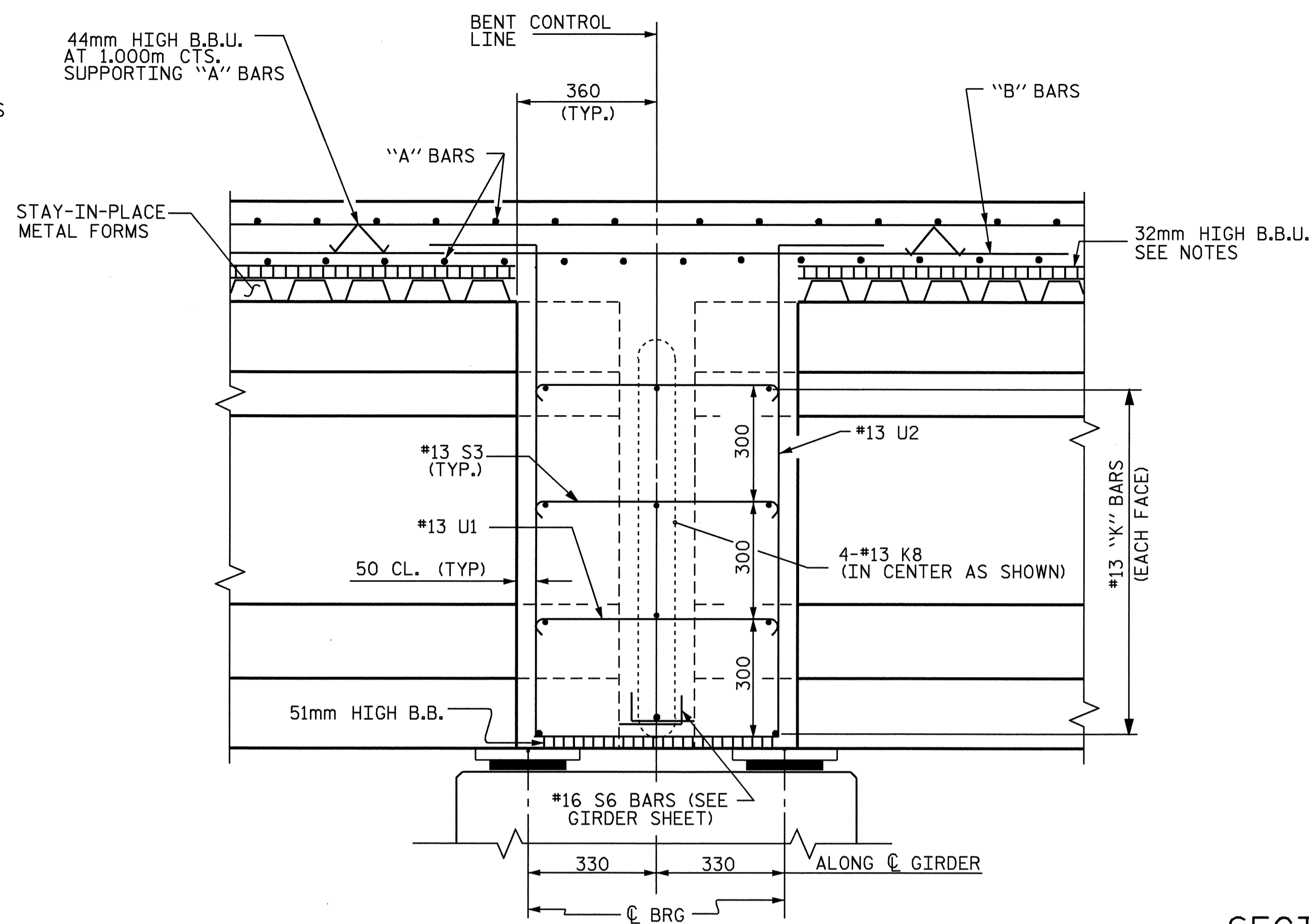
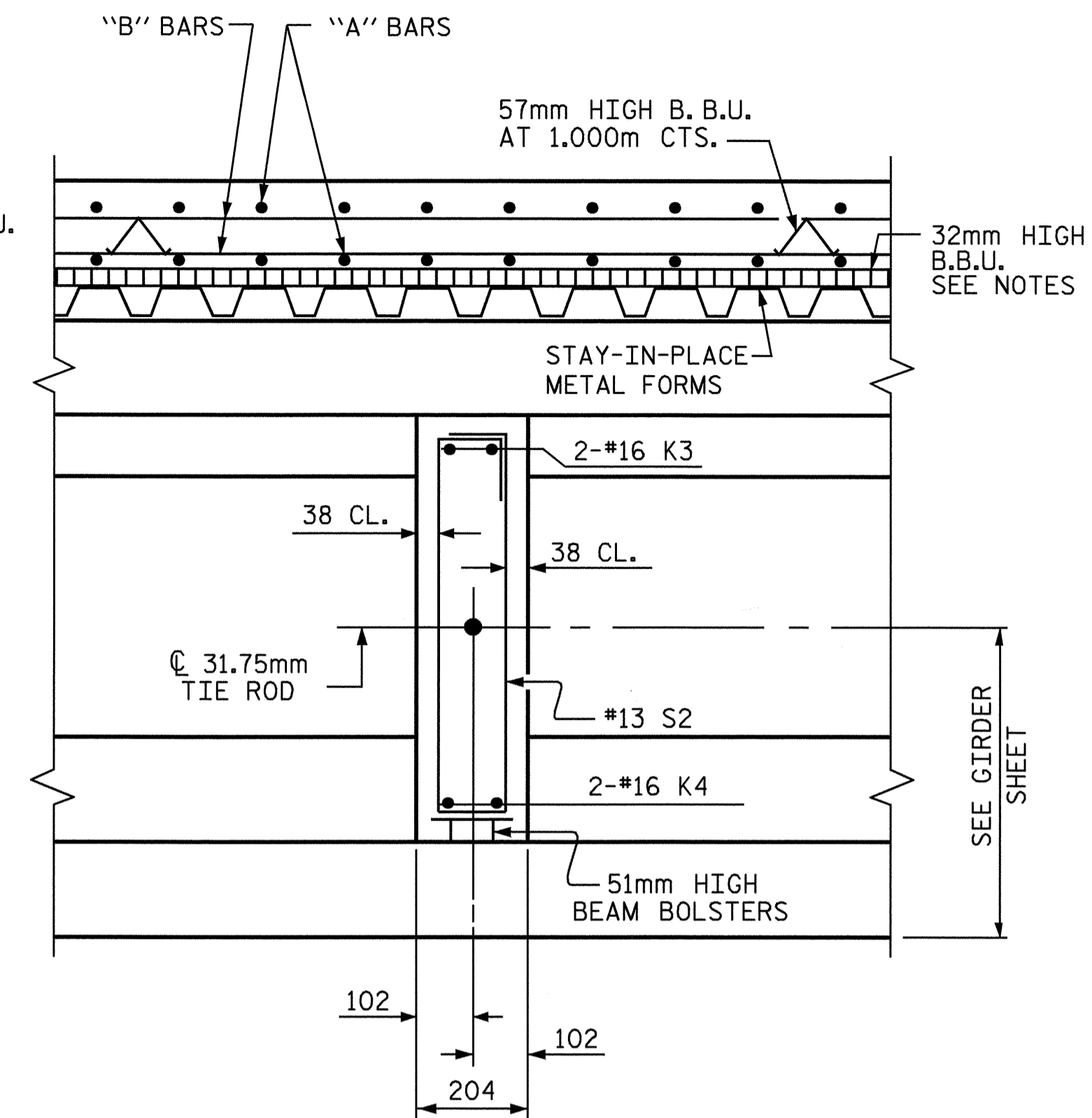


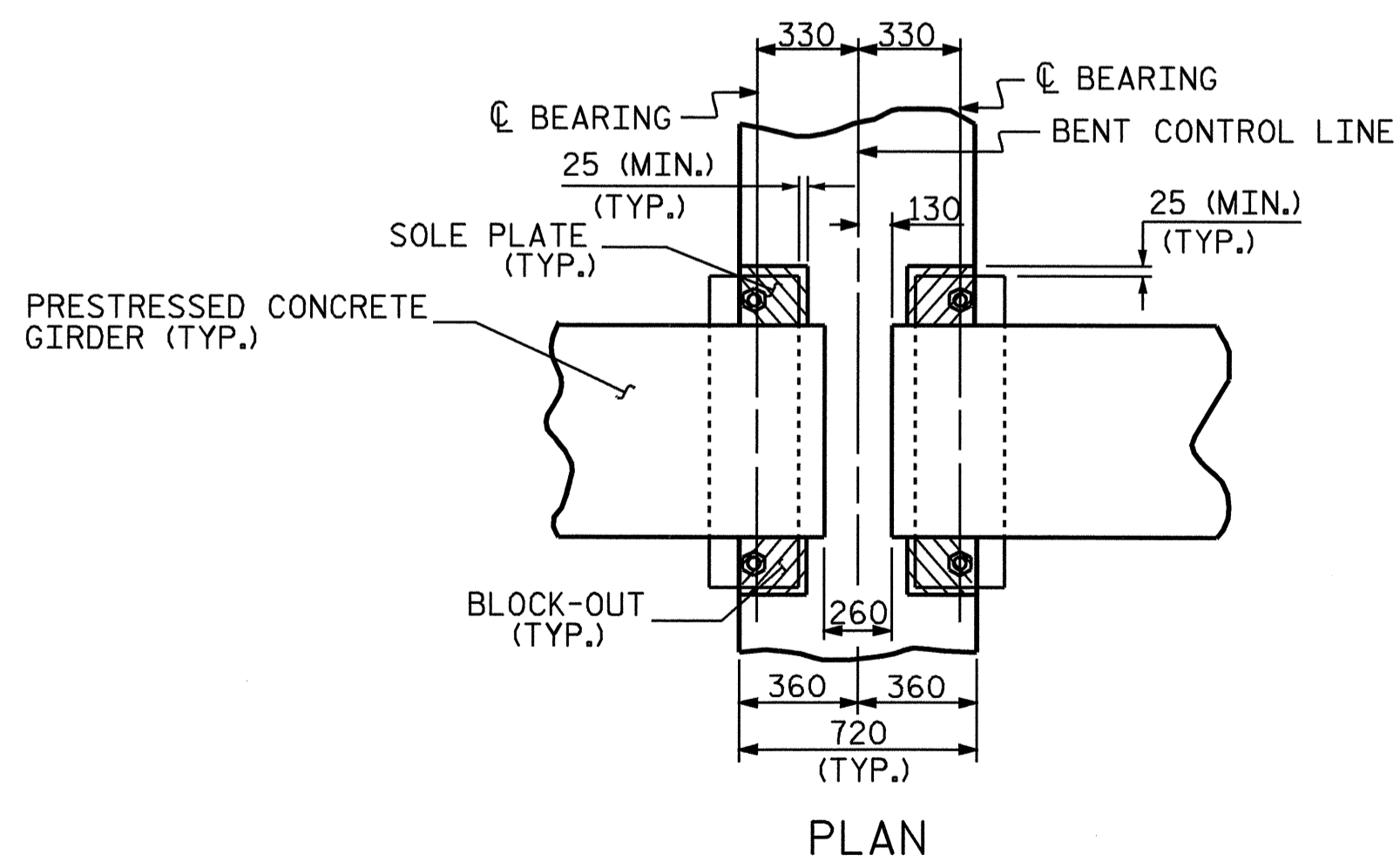
SECTION THRU
END BENT DIAPHRAGMS



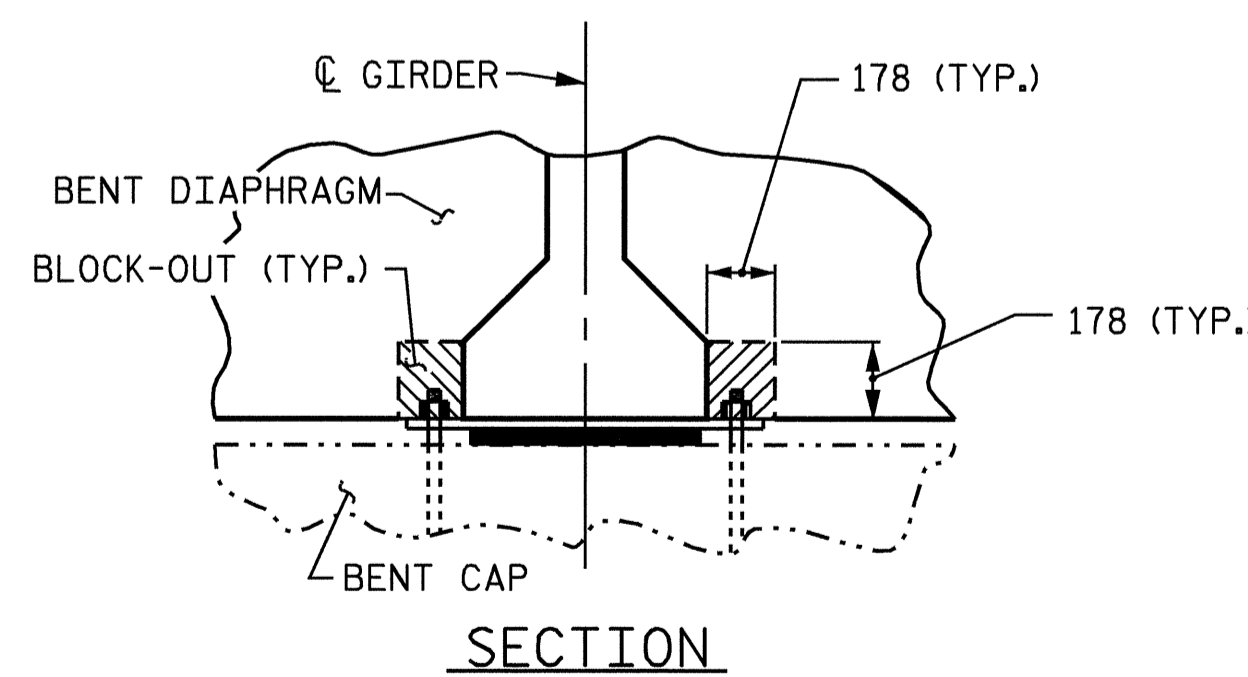
SECTION THRU BENT DIAPHRAGM



SECTION THRU INTERMEDIATE DIAPHRAGM



BENT DIAPHRAGM BLOCKOUT DETAIL

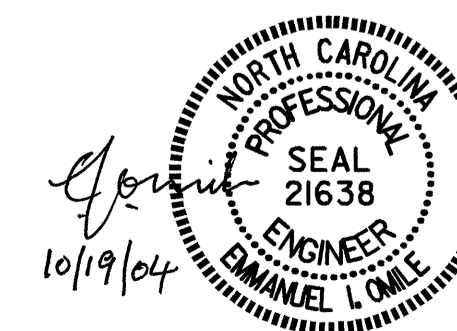


PROJECT NO. R-2562C
BLADEN COUNTY
STATION: 178+79.500 -L- REV

SHEET 2 OF 2

STATE OF NORTH CAROLINA
DEPARTMENT OF TRANSPORTATION
RALEIGH

SUPERSTRUCTURE
TYPICAL DETAILS
(LEFT LANE)



DRAWN BY : J. G. KHARVA DATE : 06/15/04
CHECKED BY : E. I. OMILE DATE : 08/24/04

18-OCT-2004 11:25
W:\squadh\2562C\jkharva\left lane\2562c_sd.ts.01.dgn
jkharva

REVISIONS						SHEET NO.
NO.	BY:	DATE:	NO.	BY:	DATE:	S-6
1			3			TOTAL SHEETS 68
2			4			