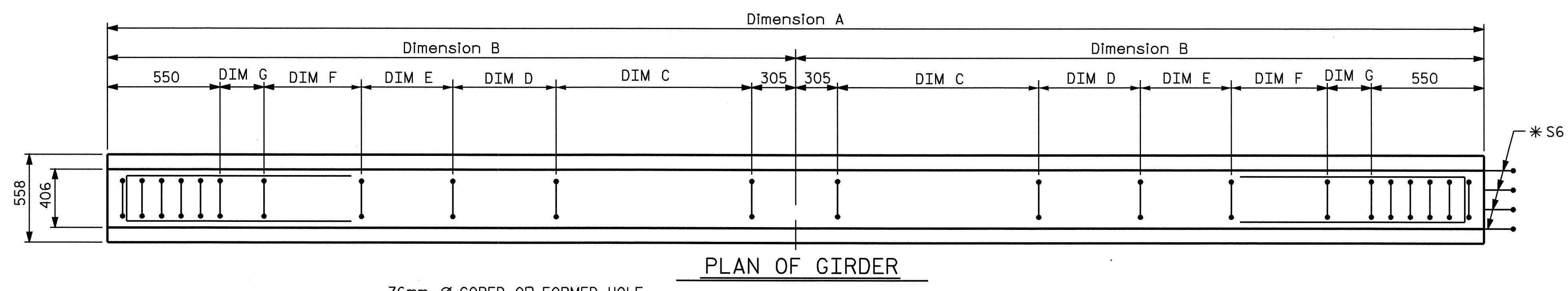
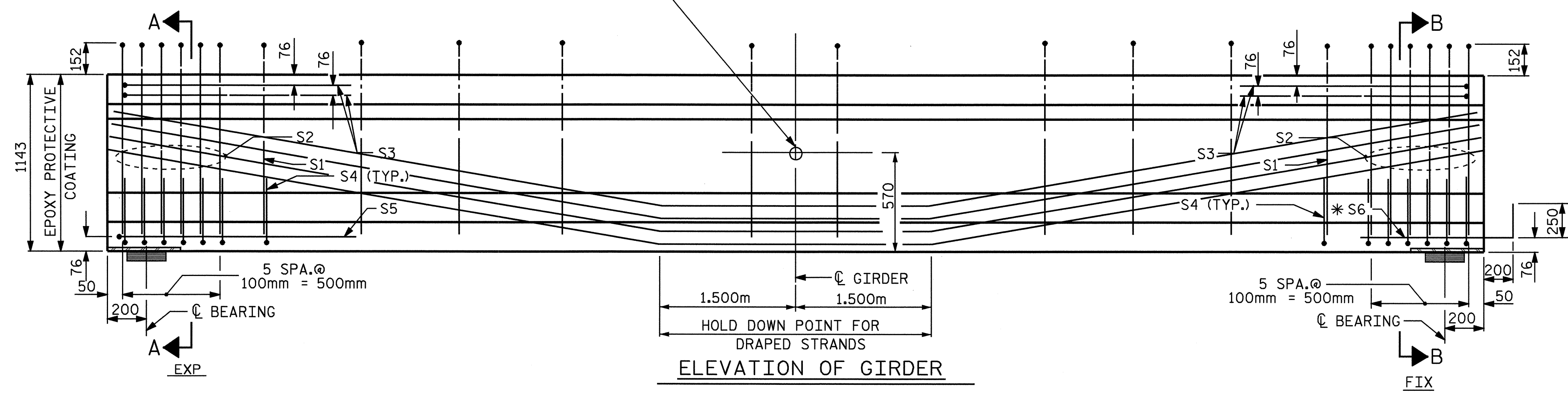


12.70mm Ø LOW RELAXATION STRAND LAYOUT



PLAN OF GIRDER

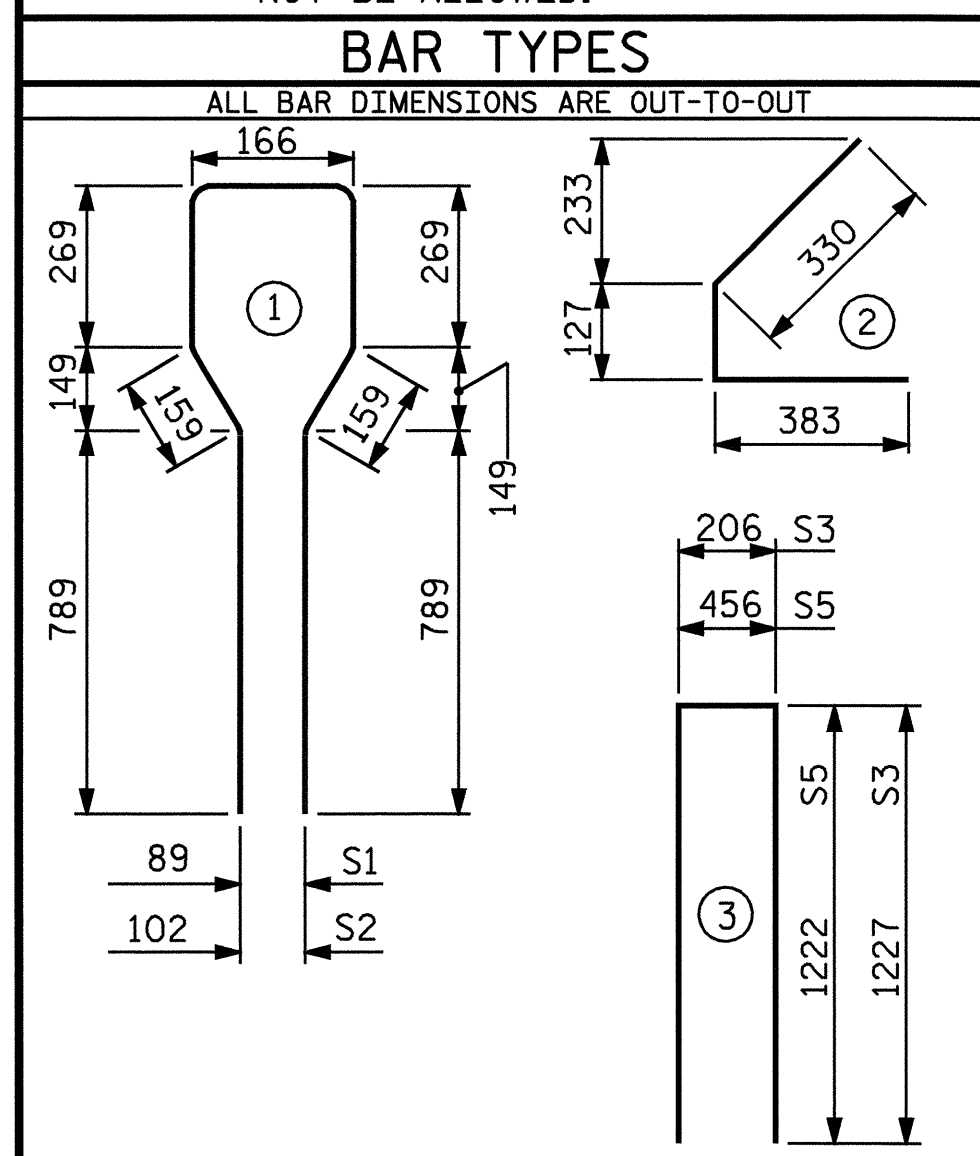


ELEVATION OF GIRDER

GIRDER DIMENSIONS SPAN A							
	DIMENSION A	DIMENSION B	DIMENSION C	DIMENSION D	DIMENSION E	DIMENSION F	DIMENSION G
GIRDER A1	20.087 m	10.043 m	12 SPA.@ 450	7 SPA.@ 300	7 SPA.@ 200	88	2 SPA.@ 100
GIRDER A2	20.205 m	10.102 m	12 SPA.@ 450	7 SPA.@ 300	7 SPA.@ 200	147	2 SPA.@ 100
GIRDER A3	20.322 m	10.161 m	12 SPA.@ 450	7 SPA.@ 300	7 SPA.@ 200	106	3 SPA.@ 100
GIRDER A4	20.440 m	10.220 m	12 SPA.@ 450	7 SPA.@ 300	7 SPA.@ 200	165	3 SPA.@ 100
GIRDER A5	20.558 m	10.279 m	12 SPA.@ 450	7 SPA.@ 300	8 SPA.@ 200	124	2 SPA.@ 100

12.70mm Ø L. R. GRADE 270 STRANDS						
AREA (mm ²)	ULTIMATE STRENGTH (kN PER STRAND)	APPLIED PRESTRESS (kN PER STRAND)				
98.71	183.7	137.8				
REINFORCING STEEL FOR ONE GDR.						
BAR	NUMBER	SIZE	TYPE	LENGTH	WEIGHT	
GDR. A1	S1	58	#13	1	2600	150
GDR. A2	S1	58	#13	1	2600	150
GDR. A3	S1	60	#13	1	2600	155
GDR. A4	S1	60	#13	1	2600	155
GDR. A5	S1	60	#13	1	2600	155
	S2	12	#19	1	2600	70
	S3	4	#13	3	2660	11
	S4	56	#13	2	840	47
	S5	1	#13	3	2900	3
	* S6	4	#16	STR	1120	7

* NOTE: S6 BARS SHALL BE BENT BEFORE SHIPMENT. HEAT BENDING SHALL NOT BE ALLOWED.

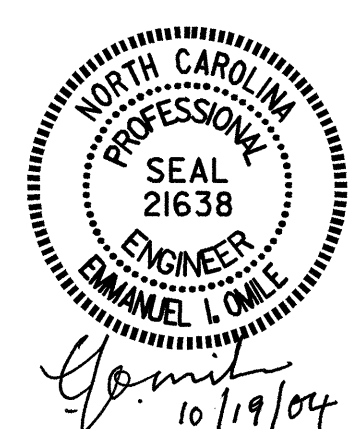


QUANTITIES FOR ONE GIRDER			
	REINFORCING STEEL	41.4 MPa CONCRETE	12.70mm Ø L.R. STRANDS
	kg	m ³	No.
GIRDER A1	288	7.251	30
GIRDER A2	288	7.294	30
GIRDER A3	293	7.336	30
GIRDER A4	293	7.379	30
GIRDER A5	293	7.421	30

GIRDERS REQUIRED		
NUMBER	LENGTH	TOTAL LENGTH
5	VARIES	101,612

PROJECT NO. R-2562C
 BLADEN COUNTY
 STATION: 178+79.500 -L- REV

SHEET 1 OF 4



STATE OF NORTH CAROLINA
 DEPARTMENT OF TRANSPORTATION
 RALEIGH
 STANDARD
 AASHTO TYPE III
 PRESTRESSED CONCRETE
 GIRDER CONTINUOUS
 FOR LIVE LOAD
 (SPAN A) (LEFT LANE)

REVISIONS						SHEET NO.
NO.	BY:	DATE:	NO.	BY:	DATE:	S-10
1			3			TOTAL SHEETS 68
2			4			

ASSEMBLED BY : J. G. KHARVA DATE : 06-08-04
 CHECKED BY : E. L. OMLIE DATE : 08-25-04
 DRAWN BY : ELR 8/91 REV. 5/16/97 EEM/RGW
 CHECKED BY : GRP 8/91 REV. 7/17/98 RWW/LES
 REV. 10/17/00 RWW/LES