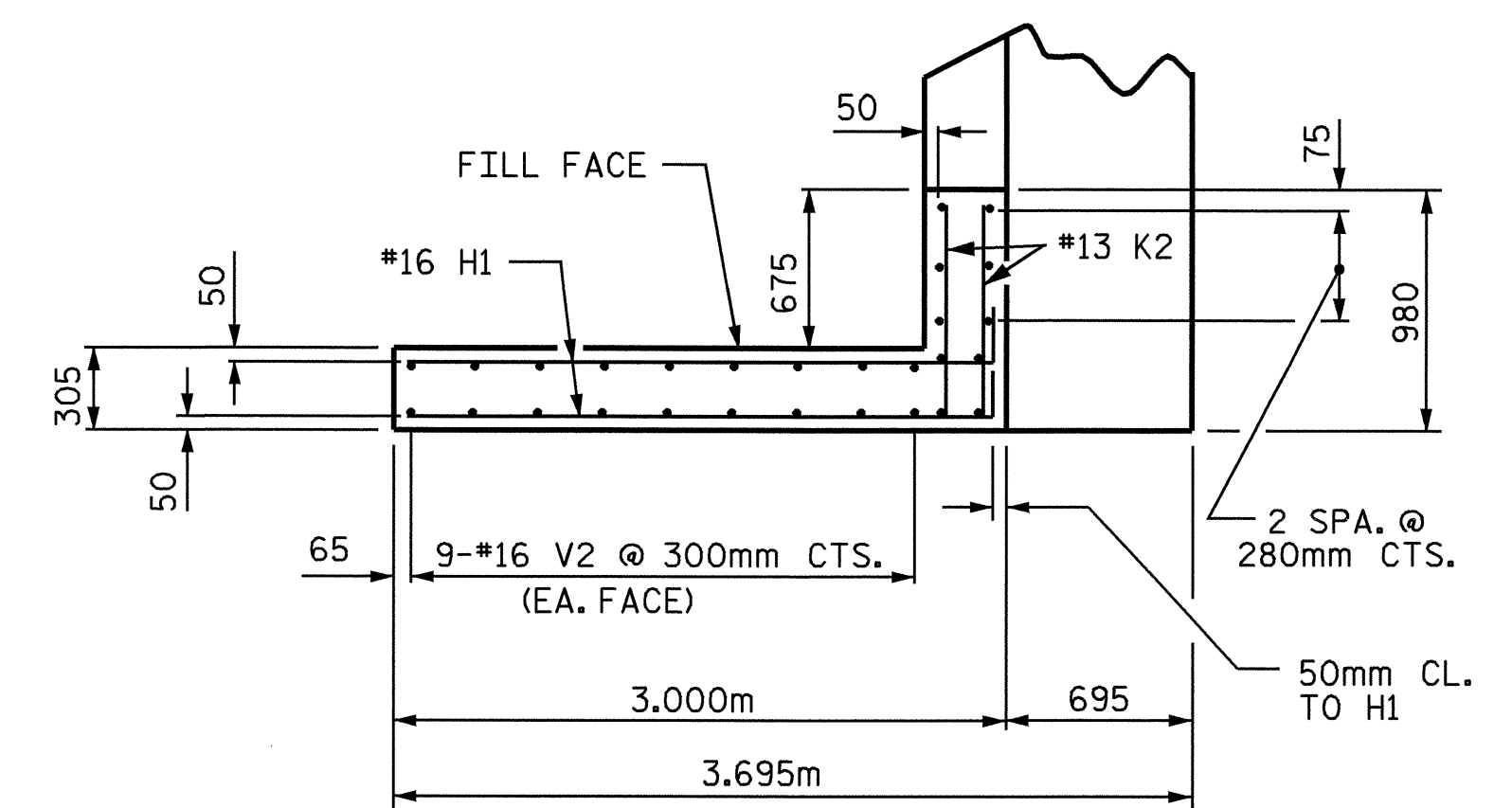
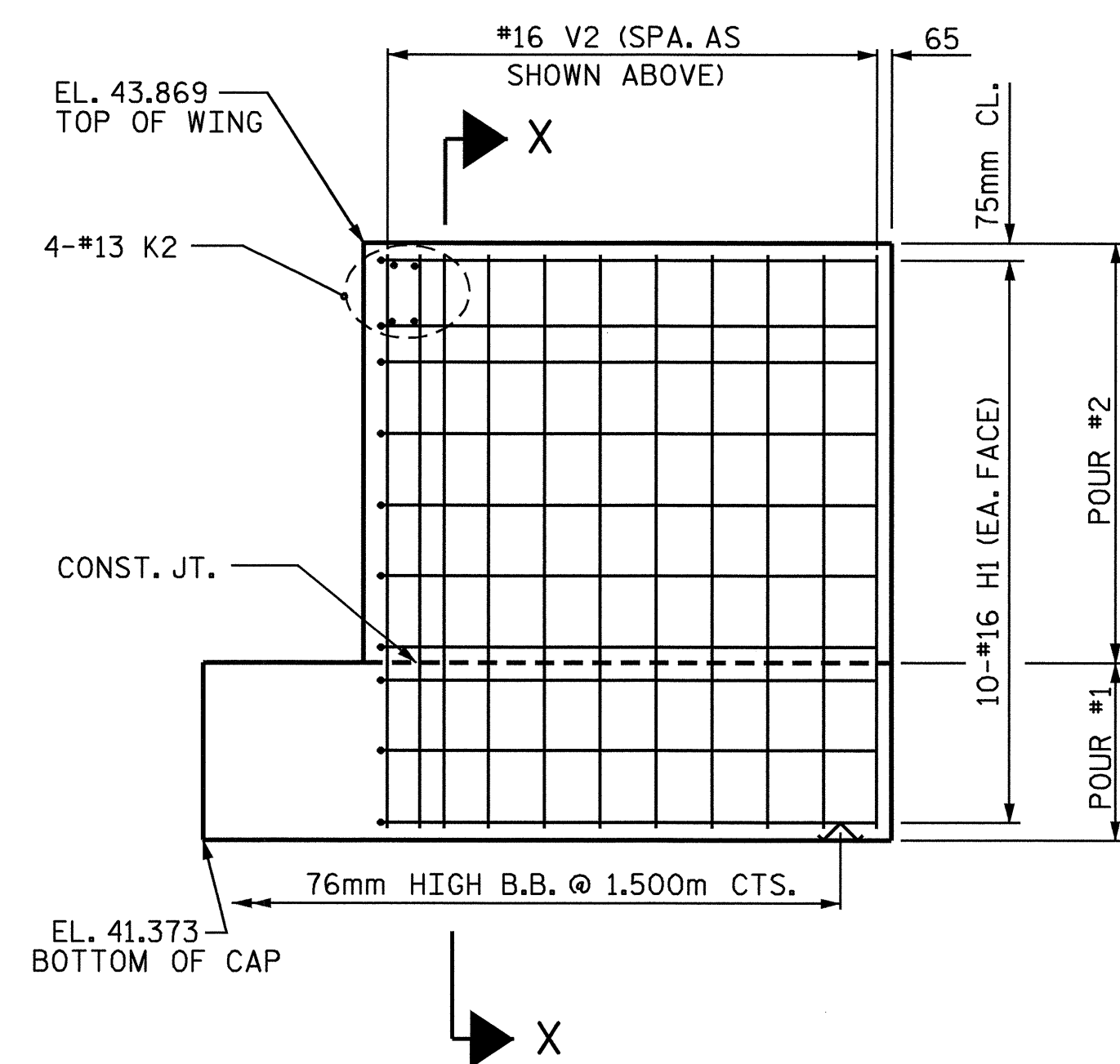


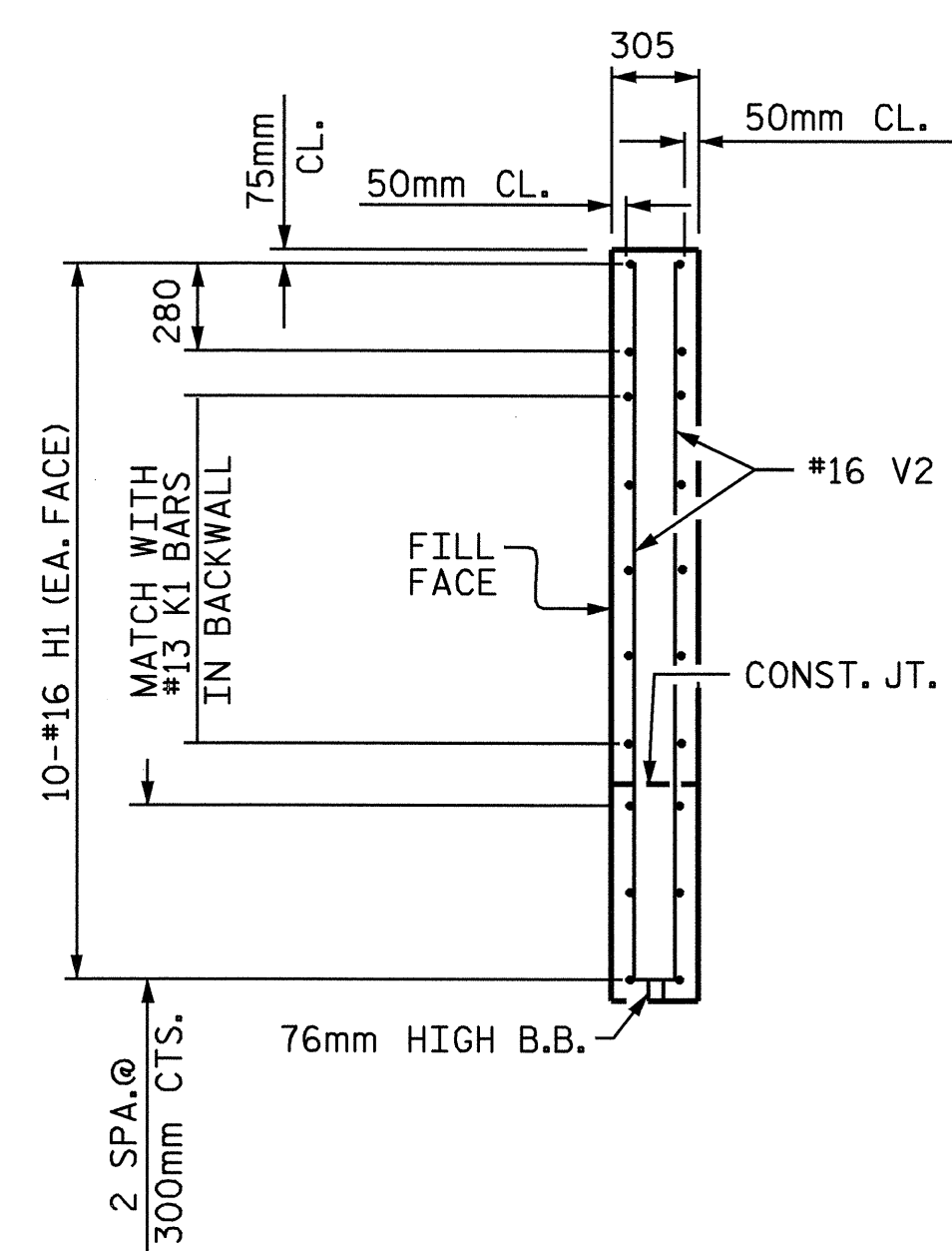
PLAN OF WING W1



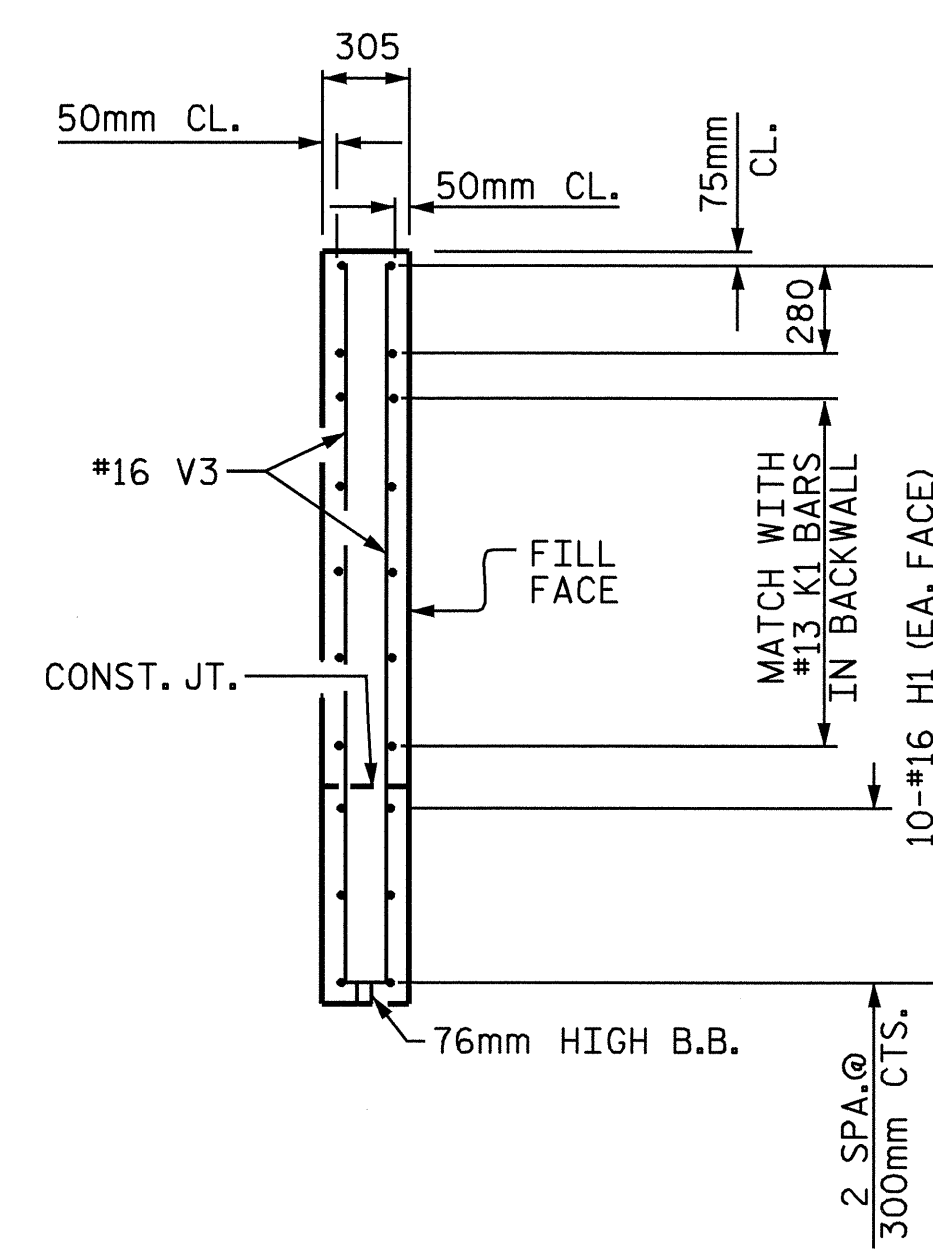
PLAN OF WING W2



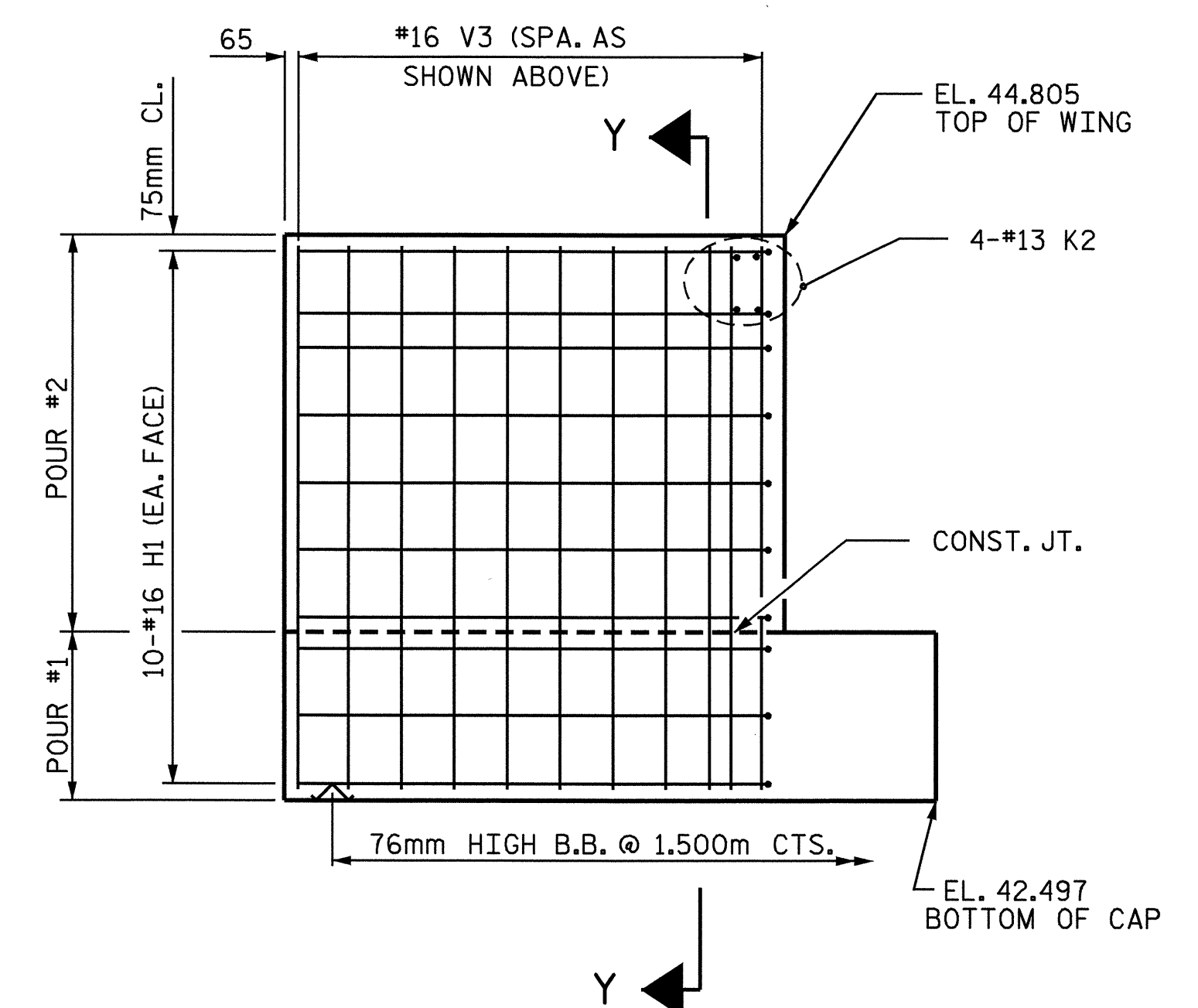
ELEVATION OF WING W1



SECTION X-X



SECTION Y-Y



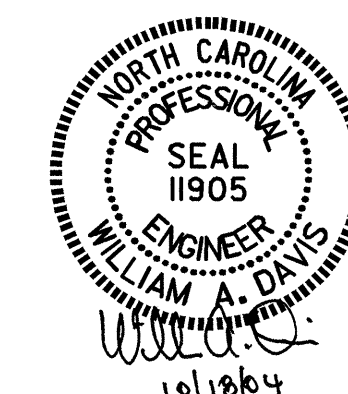
ELEVATION OF WING W2

PROJECT NO. R-2562C
 BLADEN COUNTY
 STATION: 178+79.500 -L- REV

SHEET 2 OF 3

STATE OF NORTH CAROLINA
 DEPARTMENT OF TRANSPORTATION
 RALEIGH

SUBSTRUCTURE
 END BENT #1
 (LEFT LANE)



DRAWN BY: J. G. KHARVA DATE: 07-02-04
 CHECKED BY: J. D. HAWK DATE: 08-24-04

18-OCT-2004 12:37
 W:\squadh\R2562C\jkharva\left lane\R2562c.sd_obs.01.dgn
 jkharva

REVISIONS						SHEET NO.
NO.	BY:	DATE:	NO.	BY:	DATE:	S-19
1			3			TOTAL SHEETS 68
2			4			