

-- NOTES --

STEEL PILES SHALL MEET THE REQUIREMENTS OF ASTM A252 GRADE 2 AND SHALL BE GALVANIZED IN ACCORDANCE WITH THE STANDARD SPECIFICATIONS. THE DRIVING PLATE MAY BE GALVANIZED.

THE CONCRETE IN THE PLUG SHALL BE CLASS A CONCRETE.

STEEL PILES SHALL BE EXAMINED FOR DAMAGE OR COLLAPSE AFTER BEING DRIVEN AND PRIOR TO PLACING REINFORCING STEEL AND CONCRETE IN THE TOP OF THE PILE. REJECTED PILES SHALL BE REMOVED OR THE CONTRACTOR SHALL SUBMIT A PROPOSAL TO REPAIR THE PILE.

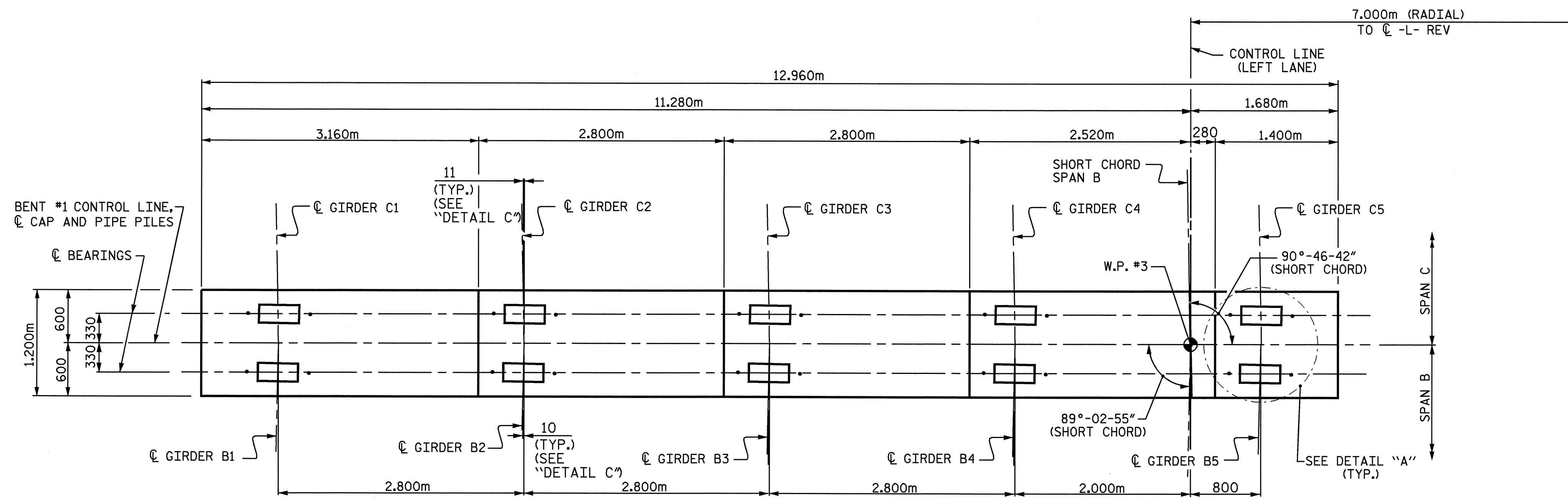
THE PILES SHALL BE DEWATERED TO THE SATISFACTION OF THE ENGINEER TO THE EXTENT NECESSARY TO OBTAIN THE MINIMUM CONCRETE PLUG WITHOUT FOULING THE CONCRETE.

THE CONCRETE PLUG WITHIN THE PILES SHALL BE FORMED SUCH THAT NO MOVEMENT OF THE REINFORCING STEEL OR CONCRETE OCCURS EITHER DURING OR AFTER THE CONCRETE PLACEMENT. THE CONCRETE PLUG SHALL BE CAST AND SHALL OBTAIN A MINIMUM COMPRESSIVE STRENGTH OF 10.3 MPa PRIOR TO PLACING THE CONCRETE IN THE BENT CAP.

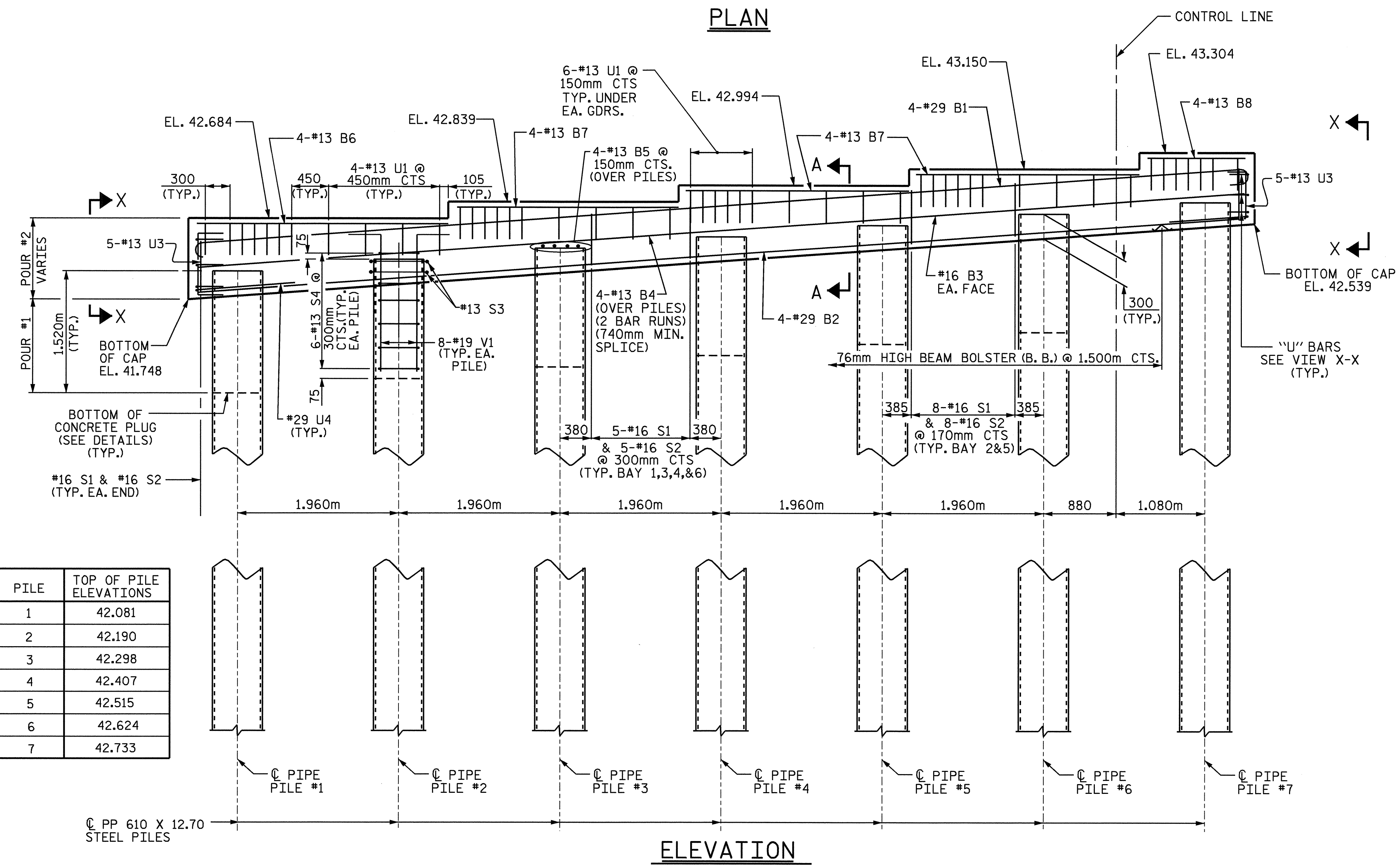
THE REINFORCING STEEL AND CLASS A CONCRETE WITHIN THE PLUG ARE CONSIDERED INCIDENTAL TO THE CONTRACT UNIT PRICE BID PER METER FOR PP 610 X 12.70 STEEL PILES.

PILE SPLICES SHALL BE IN ACCORDANCE WITH THE STANDARD SPECIFICATIONS AND AWS D1.1. A MAXIMUM OF 2 PILE SPLICES PER PILE IS ALLOWED.

STIRRUPS IN CAP MAY BE SHIFTED AS NECESSARY TO CLEAR ANCHOR BOLTS.

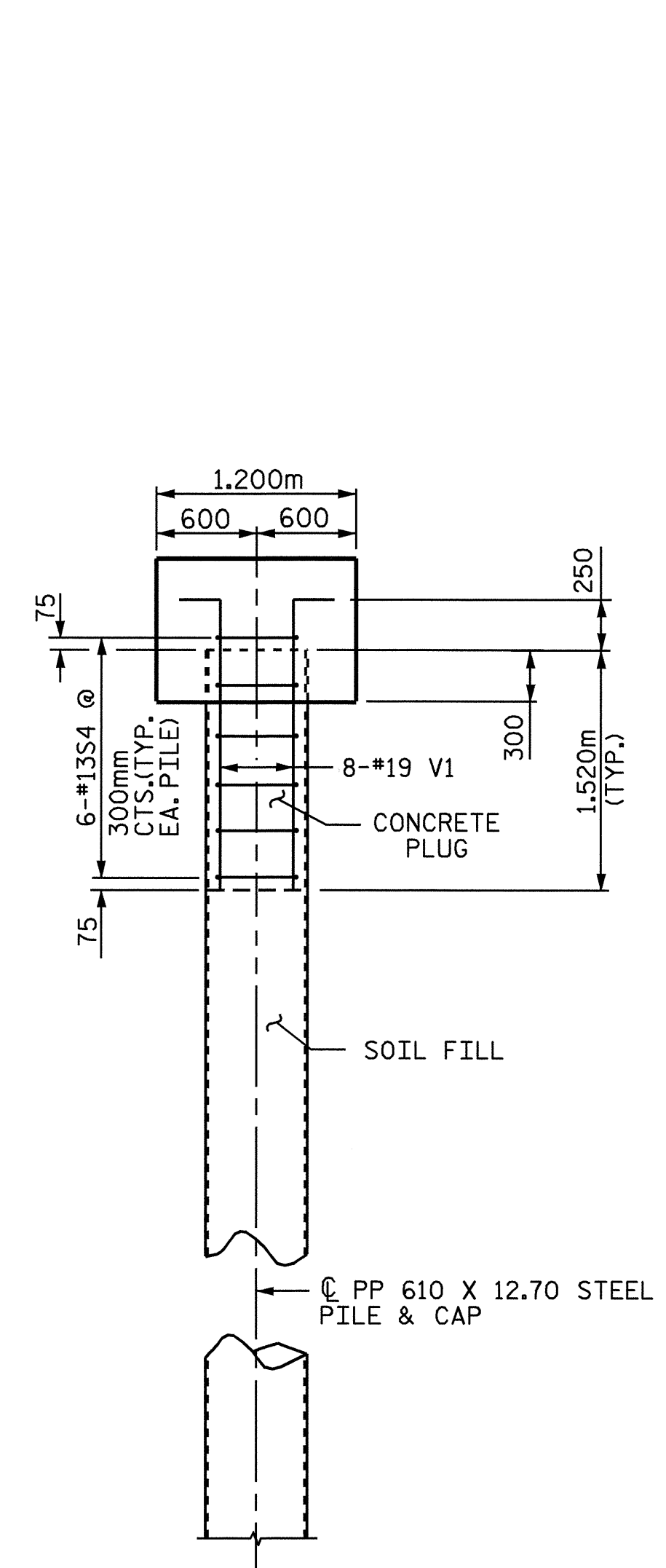


PLAN

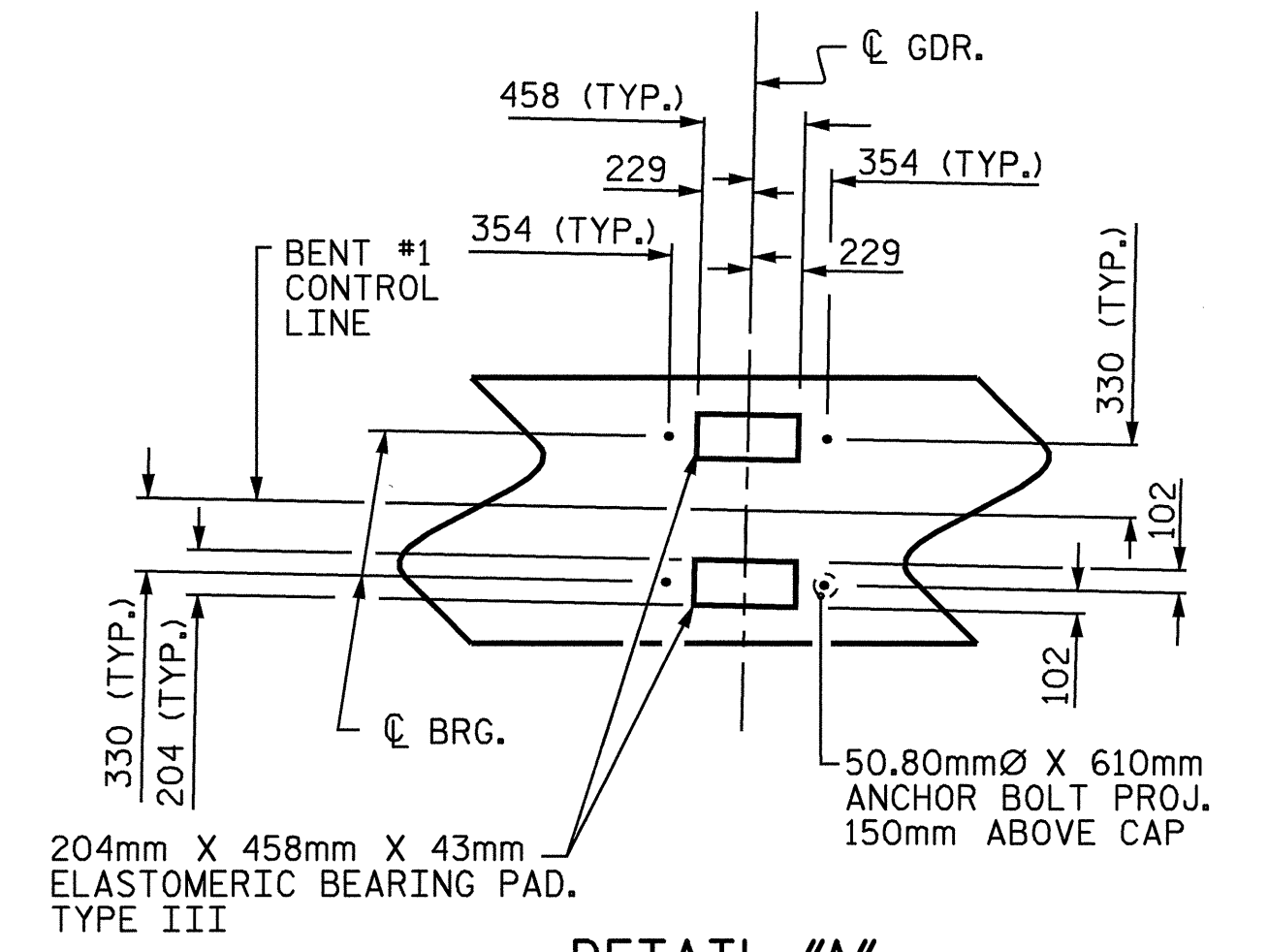


ELEVATION

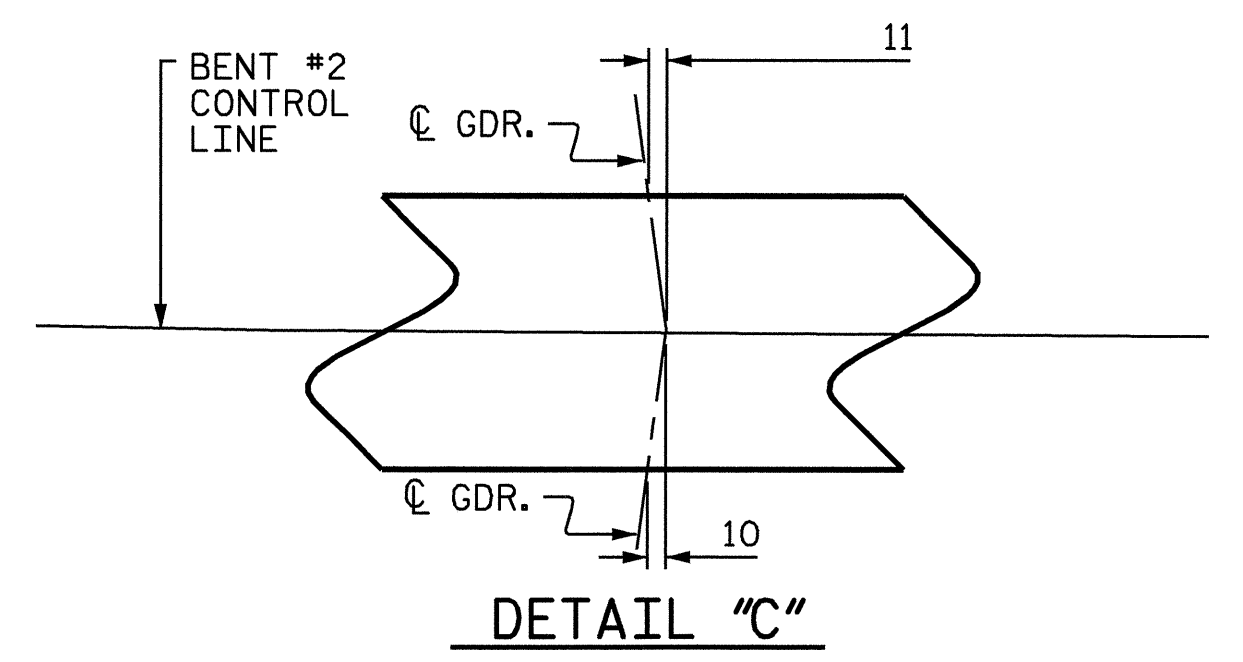
PILE	TOP OF PILE ELEVATIONS
1	42.081
2	42.190
3	42.298
4	42.407
5	42.515
6	42.624
7	42.733



END ELEVATION



DETAIL "A"



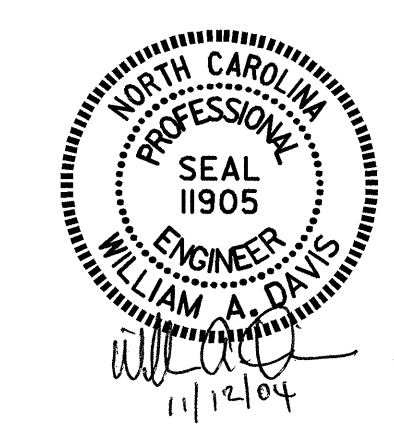
DETAIL "C"

PROJECT NO. R-2562C
BLADEN COUNTY
 STATION: 178+79.500 -L- REV

SHEET 1 OF 2

STATE OF NORTH CAROLINA
 DEPARTMENT OF TRANSPORTATION
 RALEIGH

SUBSTRUCTURE
 BENT #2
 (LEFT LANE)



REVISIONS						SHEET NO.
NO.	BY:	DATE:	NO.	BY:	DATE:	S-23
1			3			TOTAL SHEETS
2			4			68

DRAWN BY : J. G. KHARVA DATE : 07/21/04
 CHECKED BY : J. D. HAWK DATE : 09/07/04