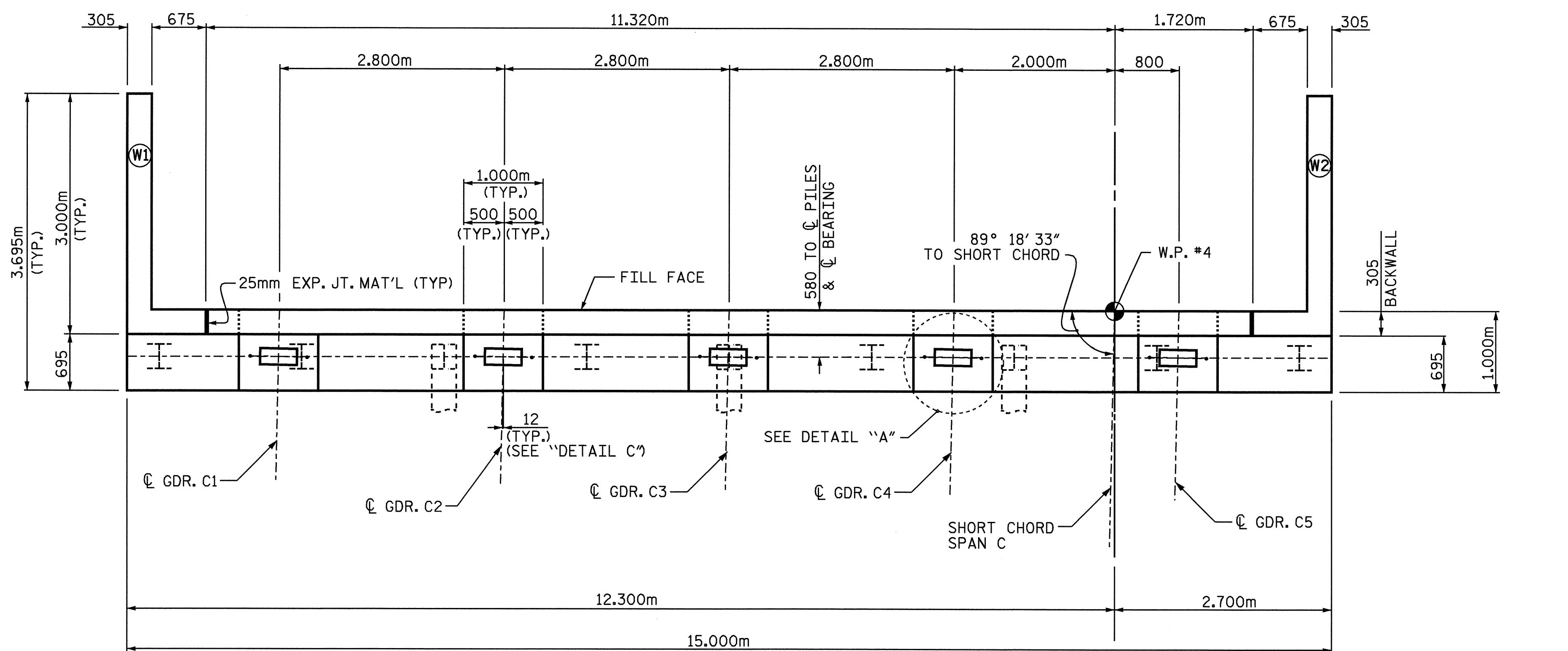
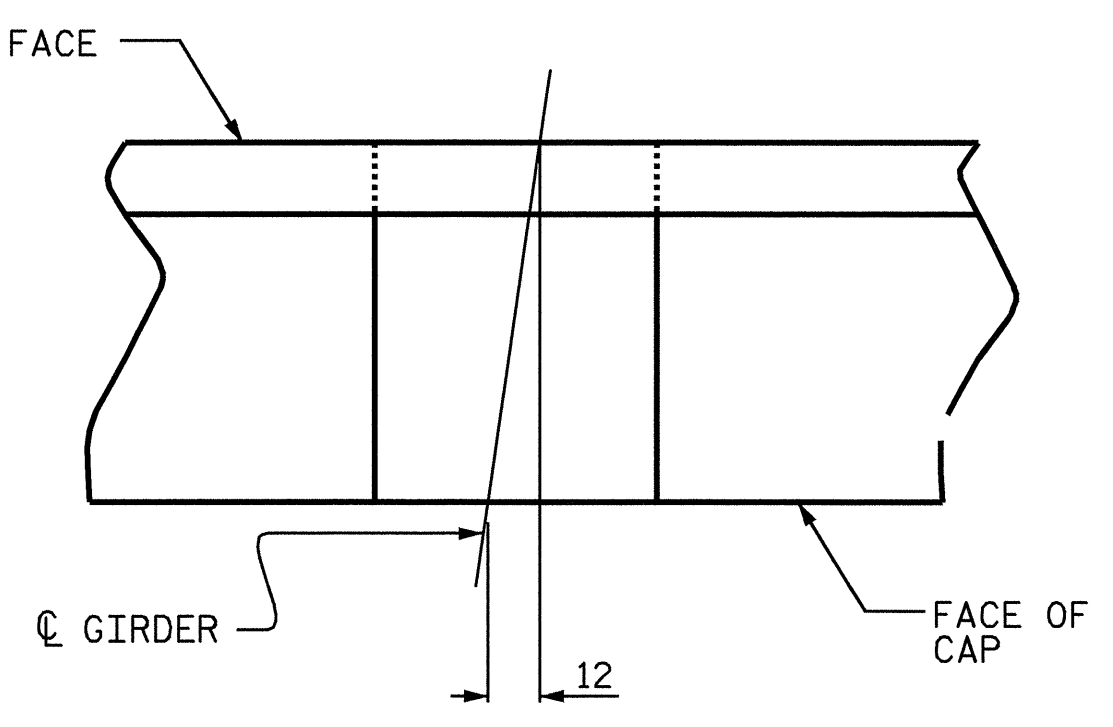


NOTES

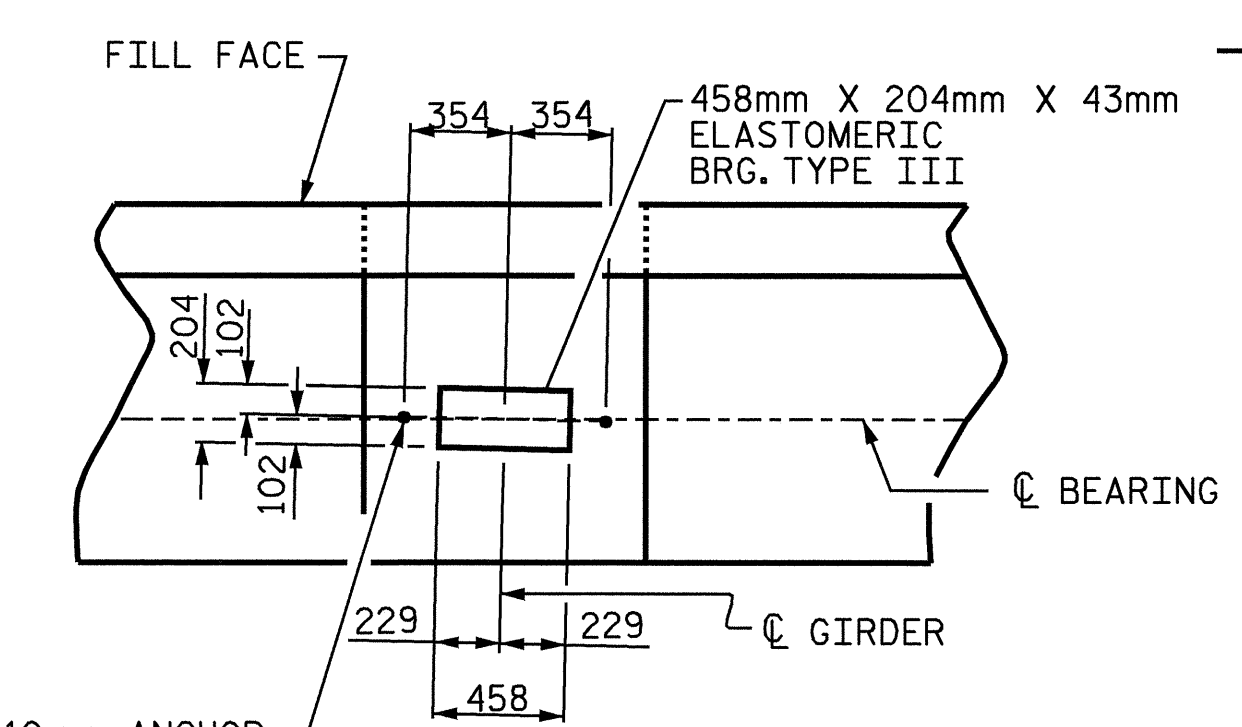
- STIRRUPS BARS IN CAP MAY BE SHIFTED AS NECESSARY TO CLEAR ANCHOR BOLTS.
- FOR EPOXY PROTECTIVE COATING, SEE SPECIAL PROVISIONS.
- BACKWALL SHALL BE PLACED BEFORE APPLYING THE EPOXY PROTECTIVE COATING.
- THE TOP SURFACE AREAS OF THE END BENT CAPS SHALL BE CURED IN ACCORDANCE WITH THE STANDARD SPECIFICATIONS EXCEPT THAT THE MEMBRANE CURING COMPOUND METHOD SHALL NOT BE USED.
- * THE TOP SURFACE OF THE CAP EXCEPT THE BRIDGE SEAT BUILDUPS SHALL BE SLOPED TRANSVERSELY FROM THE FILL FACE TO THE BACK FACE AT THE RATE OF 2%.
- THE CONTRACTOR SHALL PROVIDE FOR INSTALLATION OF THE 100mm DIAMETER DRAIN PIPE THROUGH THE WING WALL AS REQUIRED FOR REINFORCED BRIDGE APPROACH FILLS, SEE THE ROADWAY PLANS. REINFORCING STEEL IN THE WING WALL MAY BE SHIFTED AS NECESSARY TO CLEAR THE DRAIN PIPE.



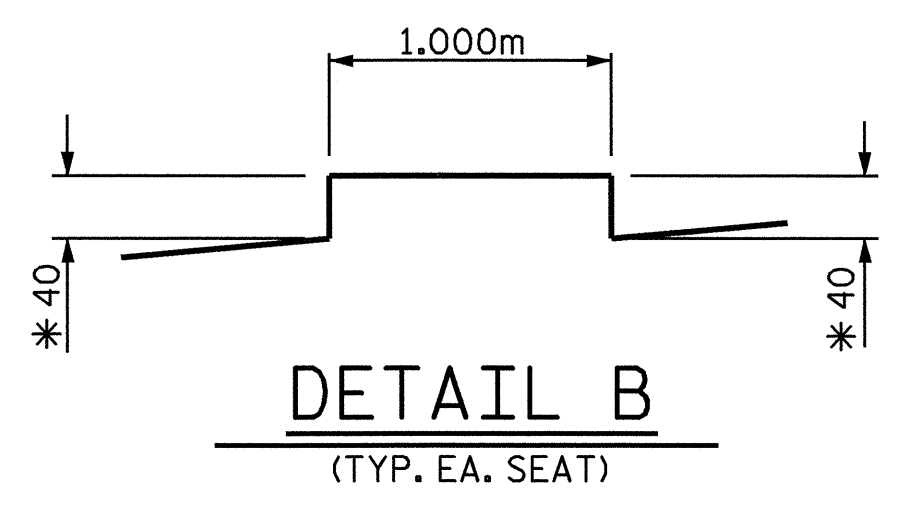
PLAN



DETAIL C
(TYP. EA. SEAT)

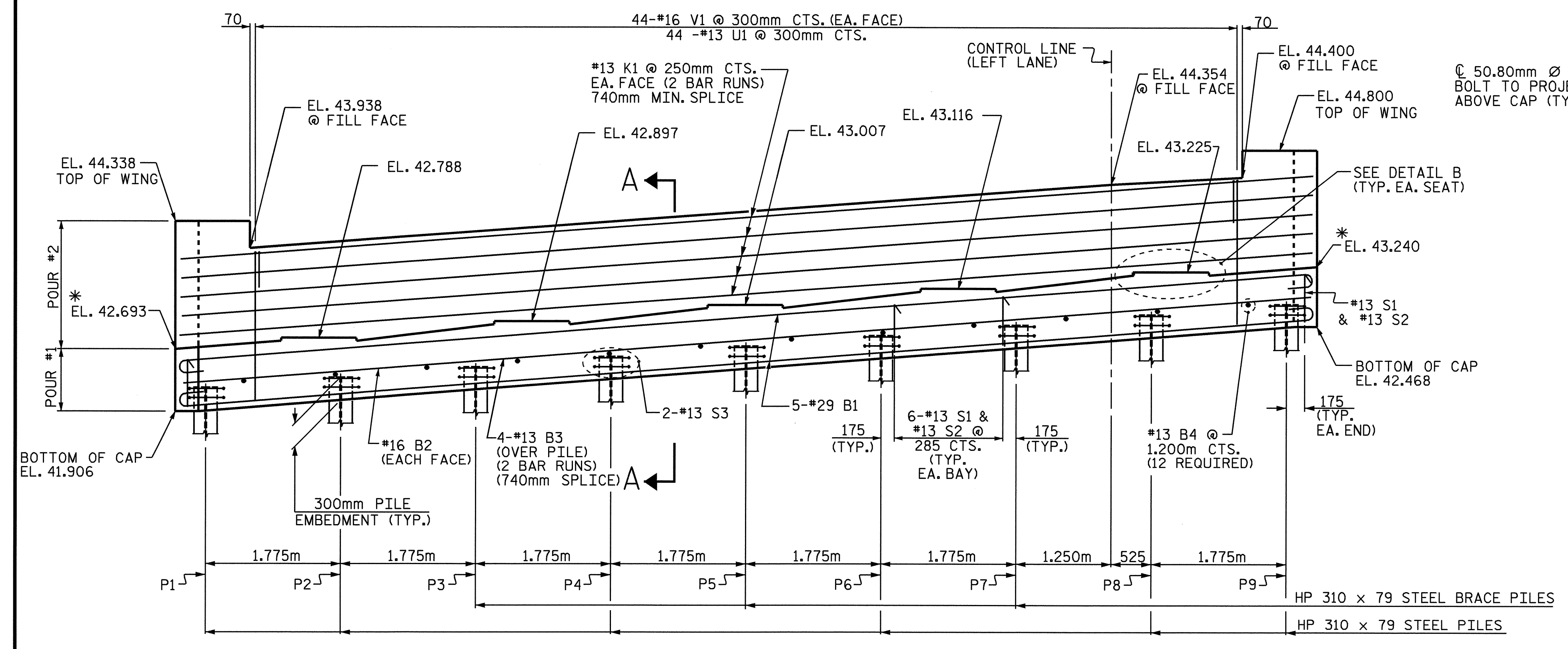


DETAIL A
(TYP. EA. SEAT)



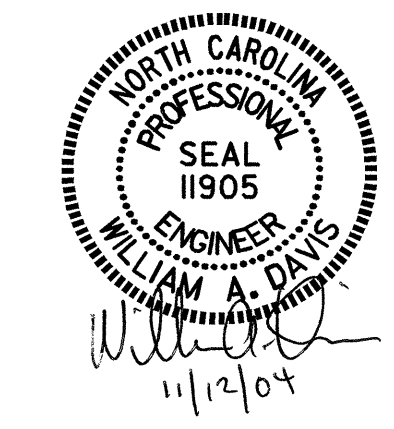
DETAIL B
(TYP. EA. SEAT)

Ø 50.80mm Ø X 610mm ANCHOR BOLT TO PROJECT 150mm ABOVE CAP (TYP.)



ELEVATION

PILE	TOP OF PILE ELEVATIONS
P1	41.210
P2	41.279
P3	42.348
P4	42.418
P5	42.487
P6	42.556
P7	42.625
P8	42.694
P9	42.764



PROJECT NO. R-2562C
BLADEN COUNTY
 STATION: 178+79.500 -L- REV

SHEET 1 OF 3

STATE OF NORTH CAROLINA
 DEPARTMENT OF TRANSPORTATION
 RALEIGH

**SUBSTRUCTURE
 END BENT #2
 (LEFT LANE)**

REVISIONS						SHEET NO.	
NO.	BY:	DATE:	NO.	BY:	DATE:	S-25	
1			3			TOTAL SHEETS 68	
2			4				

DRAWN BY : J.G. KHARVA DATE : 08/04/04
 CHECKED BY : J.D. HAWK DATE : 08/24/04