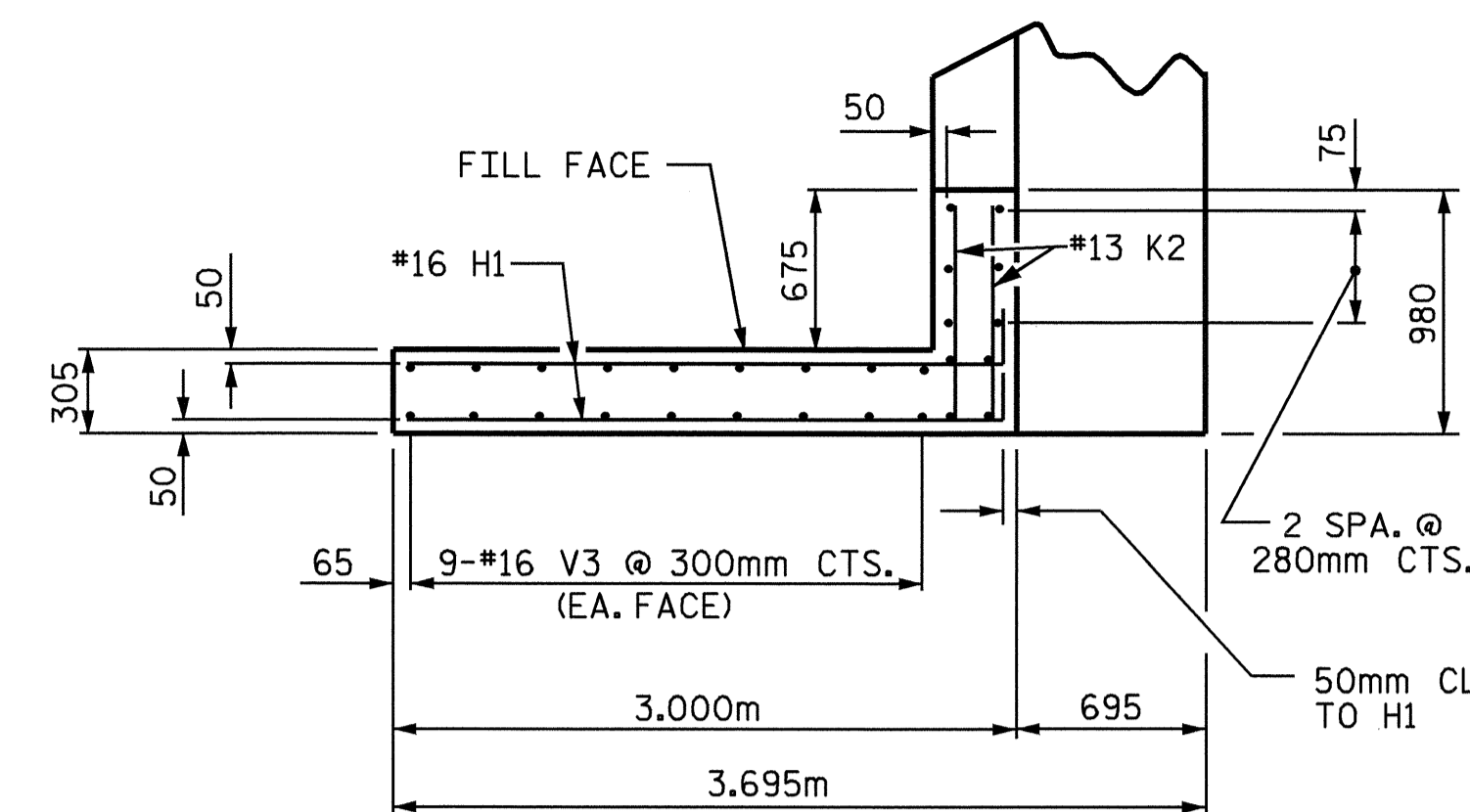
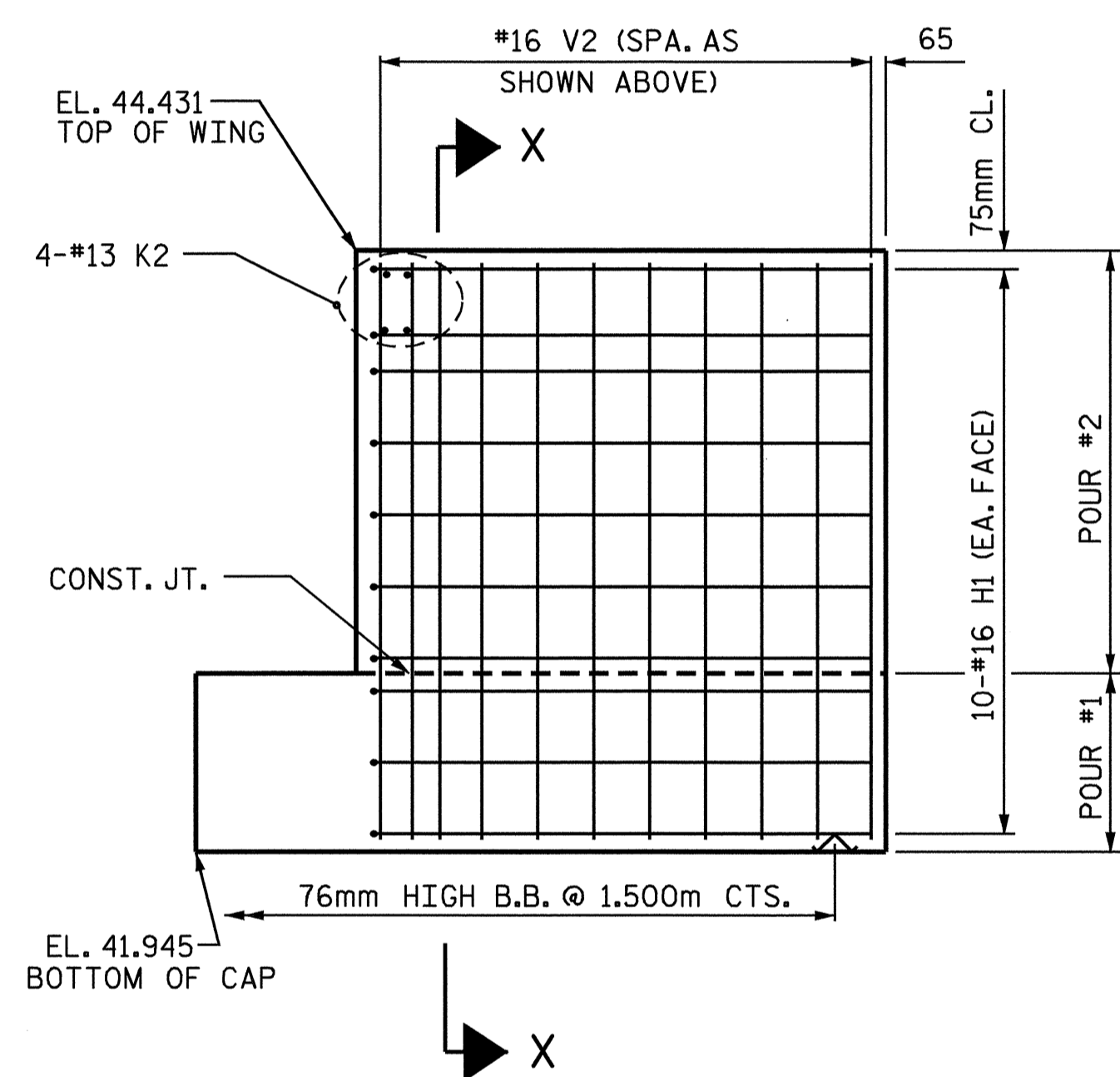


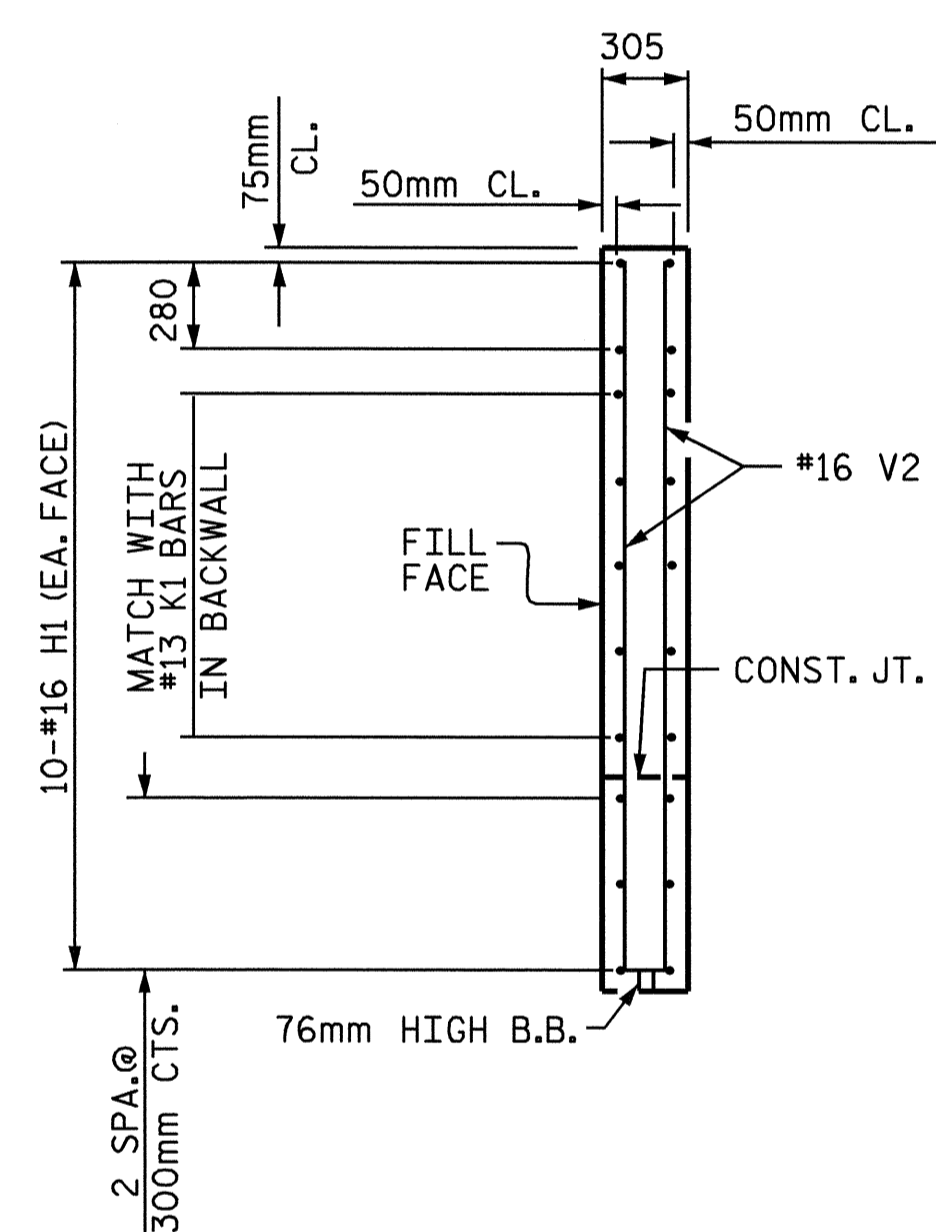
PLAN OF WING W1



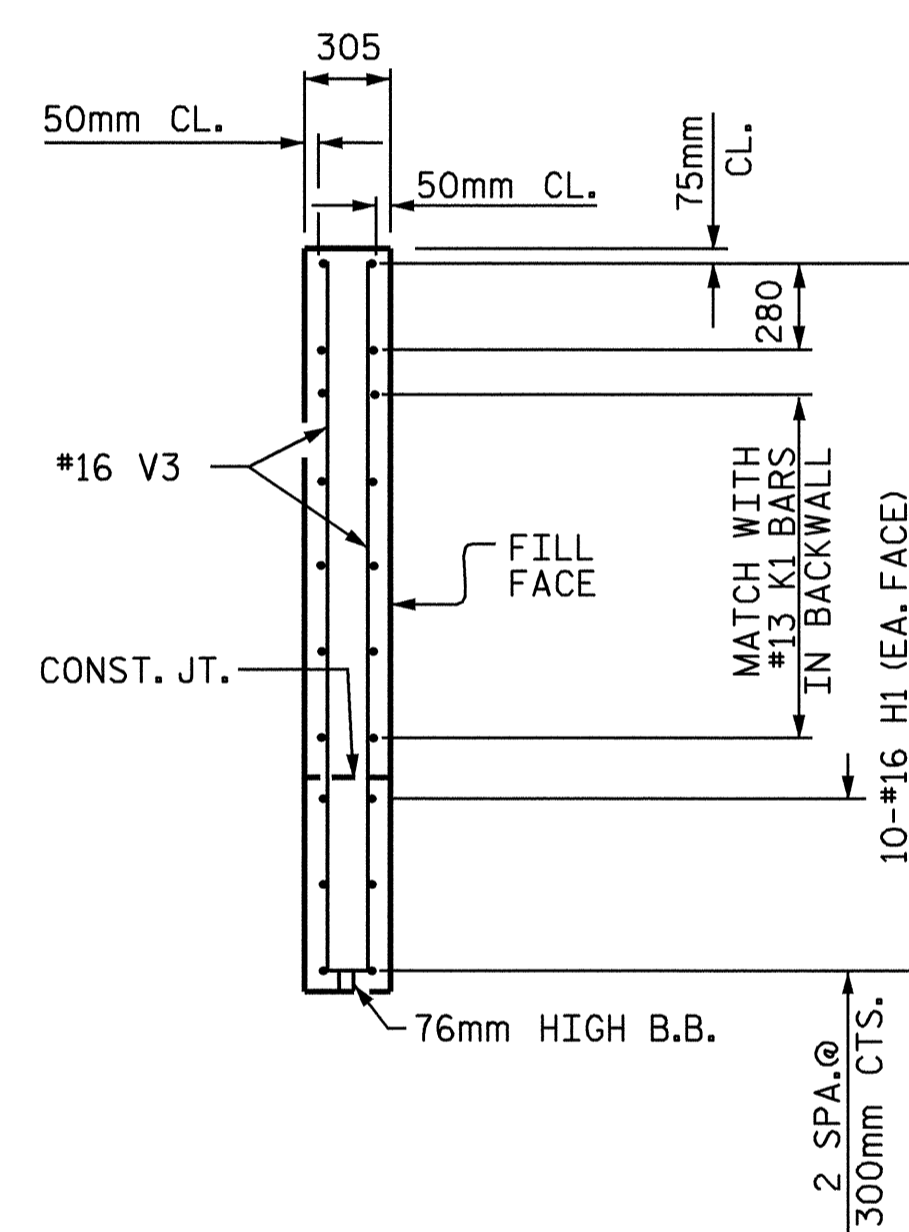
PLAN OF WING W2



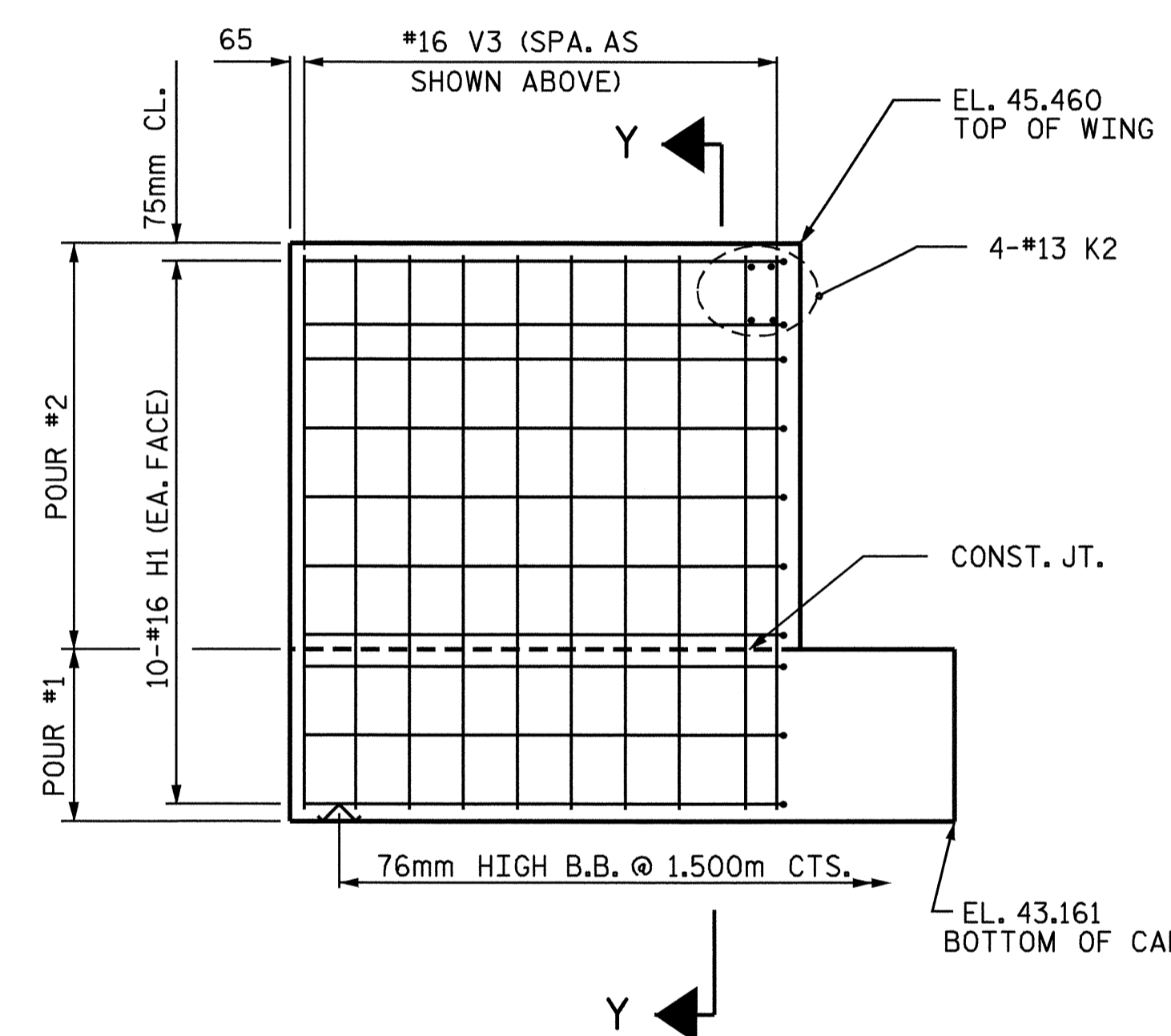
ELEVATION OF WING W1



SECTION X-X



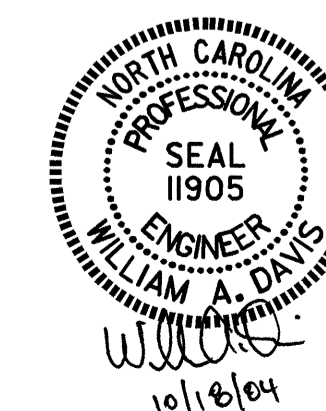
SECTION Y-Y



ELEVATION OF WING W2

PROJECT NO. R-2562C
 BLADEN COUNTY
 STATION: 178+79.500 -L- REV

SHEET 2 OF 3



STATE OF NORTH CAROLINA
 DEPARTMENT OF TRANSPORTATION
 RALEIGH

SUBSTRUCTURE
 END BENT #1
 (RIGHT LANE)

REVISIONS						SHEET NO.
NO.	BY:	DATE:	NO.	BY:	DATE:	S-53
1			3			TOTAL SHEETS 68
2			4			

DRAWN BY : J. G. KHARVA DATE : 07-02-04
 CHECKED BY : J. D. HAWK DATE : 08-23-04