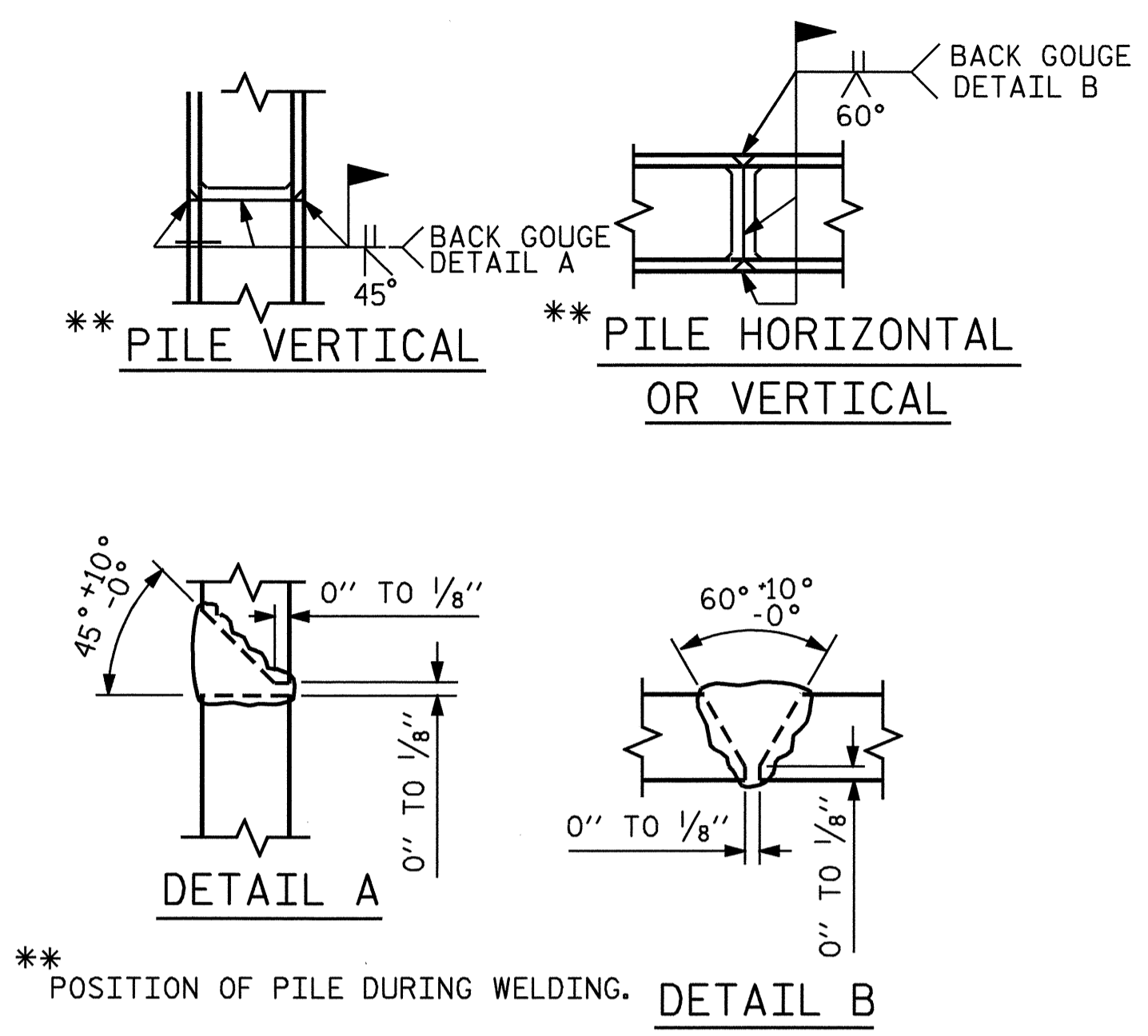
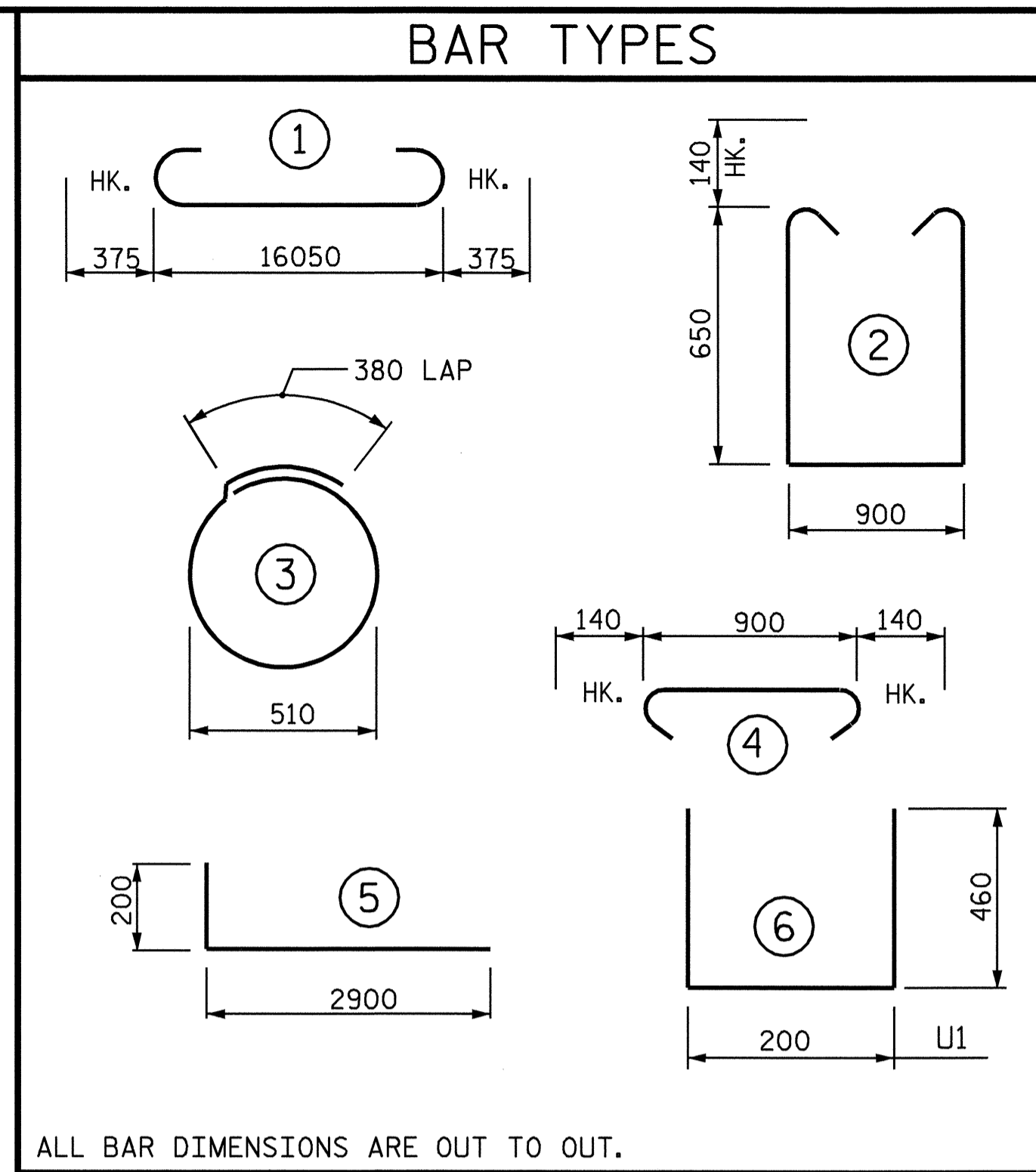


SECTION A-A



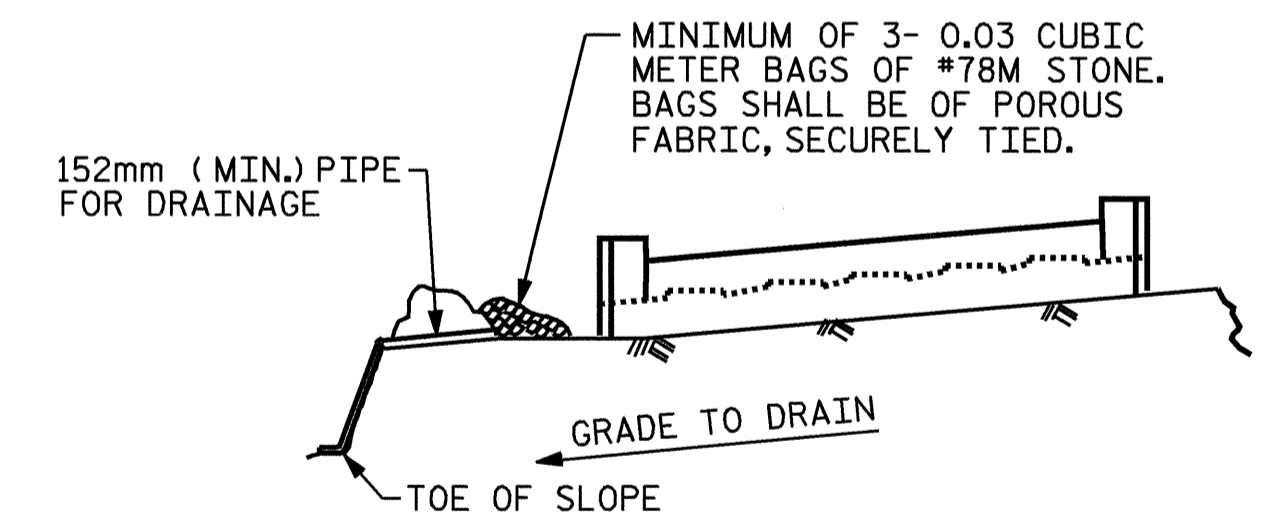
PILE SPLICE DETAILS



ALL BAR DIMENSIONS ARE OUT TO OUT.

BILL OF MATERIAL

END BENT #1					
BAR	NO.	SIZE	TYPE	LENGTH	WEIGHT
B1	10	29	1	16800	850
B2	2	16	STR	16140	50
B3	8	13	STR	8440	67
B4	13	13	STR	900	12
H1	40	16	5	3100	192
K1	20	13	STR	8440	168
K2	8	13	STR	880	7
S1	47	13	2	2480	116
S2	47	13	4	1180	55
S3	20	13	3	1980	39
U1	48	13	6	1120	53
V1	96	16	STR	1860	277
V2	28	16	STR	2380	103
V3	28	16	STR	2200	96
REINFORCING STEEL				kgs	2085
CLASS 'A' CONCRETE					
POUR #1 CAP				C.M.	14.5
POUR #2 BACKWALL & UPPER PART OF WINGS				C.M.	8.6
TOTAL				C.M.	23.1
HP 310 X 79 STEEL PILES					
NO. 10				LIN. M.	195.0



BAGGED STONE AND PIPE SHALL BE PLACED IMMEDIATELY AFTER COMPLETION OF END BENT EXCAVATION. PIPE MAY BE EITHER CONCRETE, CORRUGATED STEEL, CORRUGATED ALUMINUM ALLOY, OR CORRUGATED PLASTIC. PERFORATED PIPE WILL NOT BE ALLOWED.

BAGGED STONE SHALL REMAIN IN PLACE UNTIL THE ENGINEER DIRECTS THAT IT BE REMOVED. THE CONTRACTOR SHALL REMOVE AND DISPOSE OF SILT ACCUMULATIONS AT BAGGED STONE WHEN SO DIRECTED BY THE ENGINEER. BAGS SHALL BE REMOVED AND REPLACED WHENEVER THE ENGINEER DETERMINES THAT THEY HAVE DETERIORATED AND LOST THEIR EFFECTIVENESS.

NO SEPARATE PAYMENT WILL BE MADE FOR THIS WORK AND THE ENTIRE COST OF THIS WORK SHALL BE INCLUDED IN THE UNIT CONTRACT PRICE BID FOR THE SEVERAL PAY ITEMS.

TEMPORARY DRAINAGE AT END BENT

PROJECT NO. R-2562C
BLADEN COUNTY
 STATION: 178+79.500 -L- REV

SHEET 3 OF 3

STATE OF NORTH CAROLINA
 DEPARTMENT OF TRANSPORTATION
 RALEIGH
 SUBSTRUCTURE
 END BENT #1
 (RIGHT LANE)



REVISIONS					SHEET NO.
NO.	BY:	DATE:	NO.	BY:	DATE:
1			3		
2			4		

TOTAL SHEETS: 68

DRAWN BY : J. G. KHARVA DATE : 7-02-04
 CHECKED BY : J. D. HAWK DATE : 8-23-04