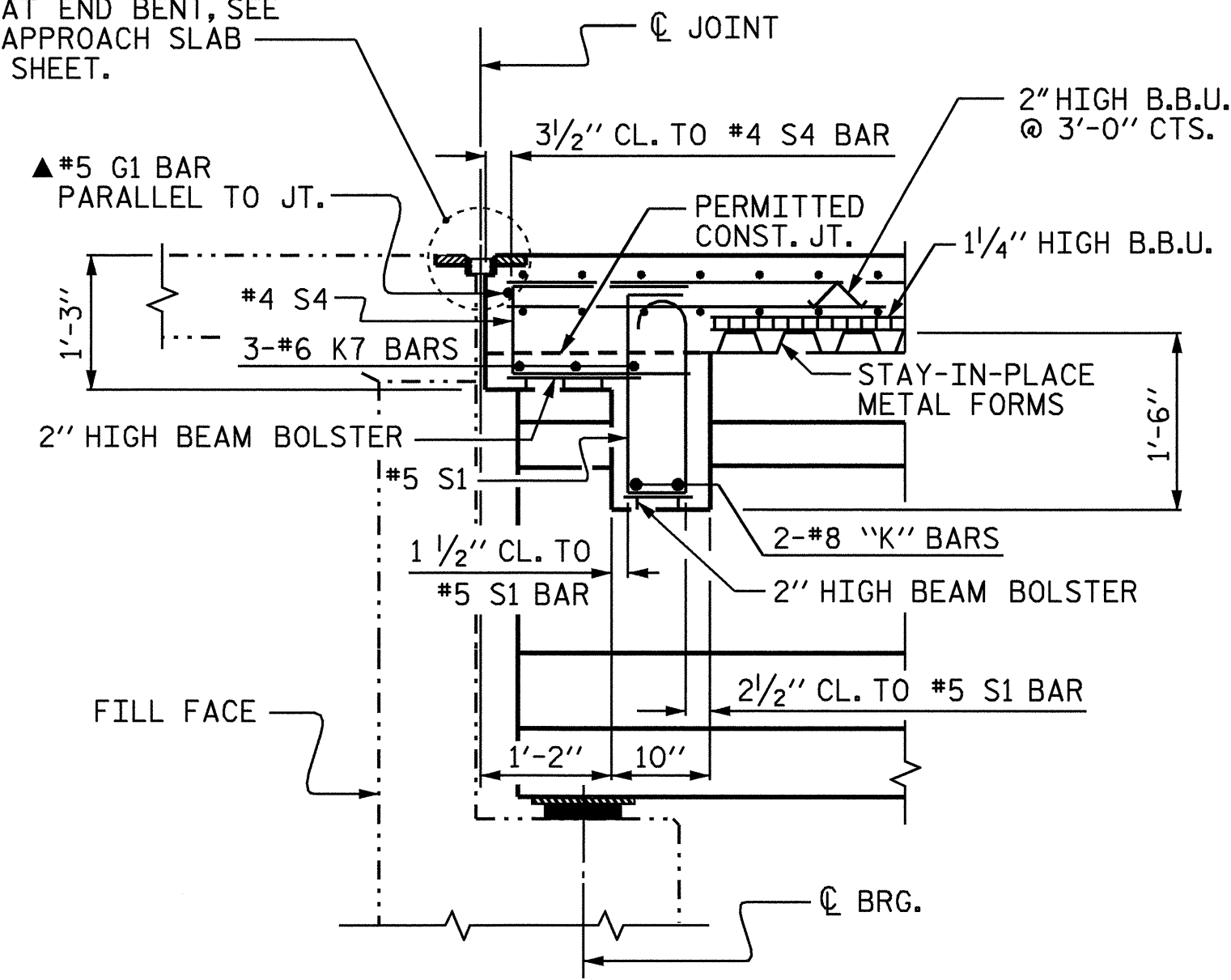
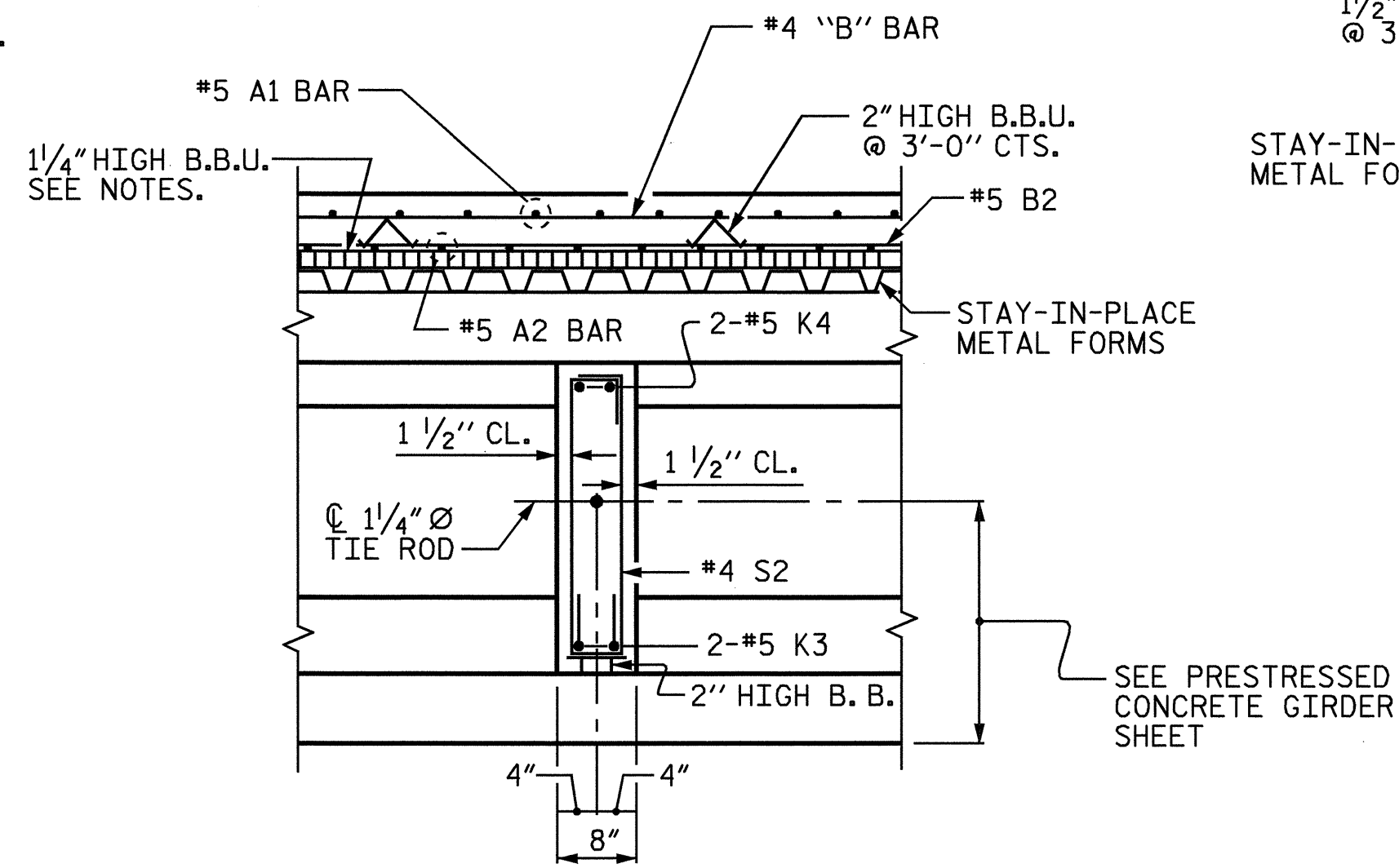


FOR EVAZOTE JOINT SEAL
DETAILS AT END BENT, SEE
"BRIDGE APPROACH SLAB
DETAILS" SHEET.

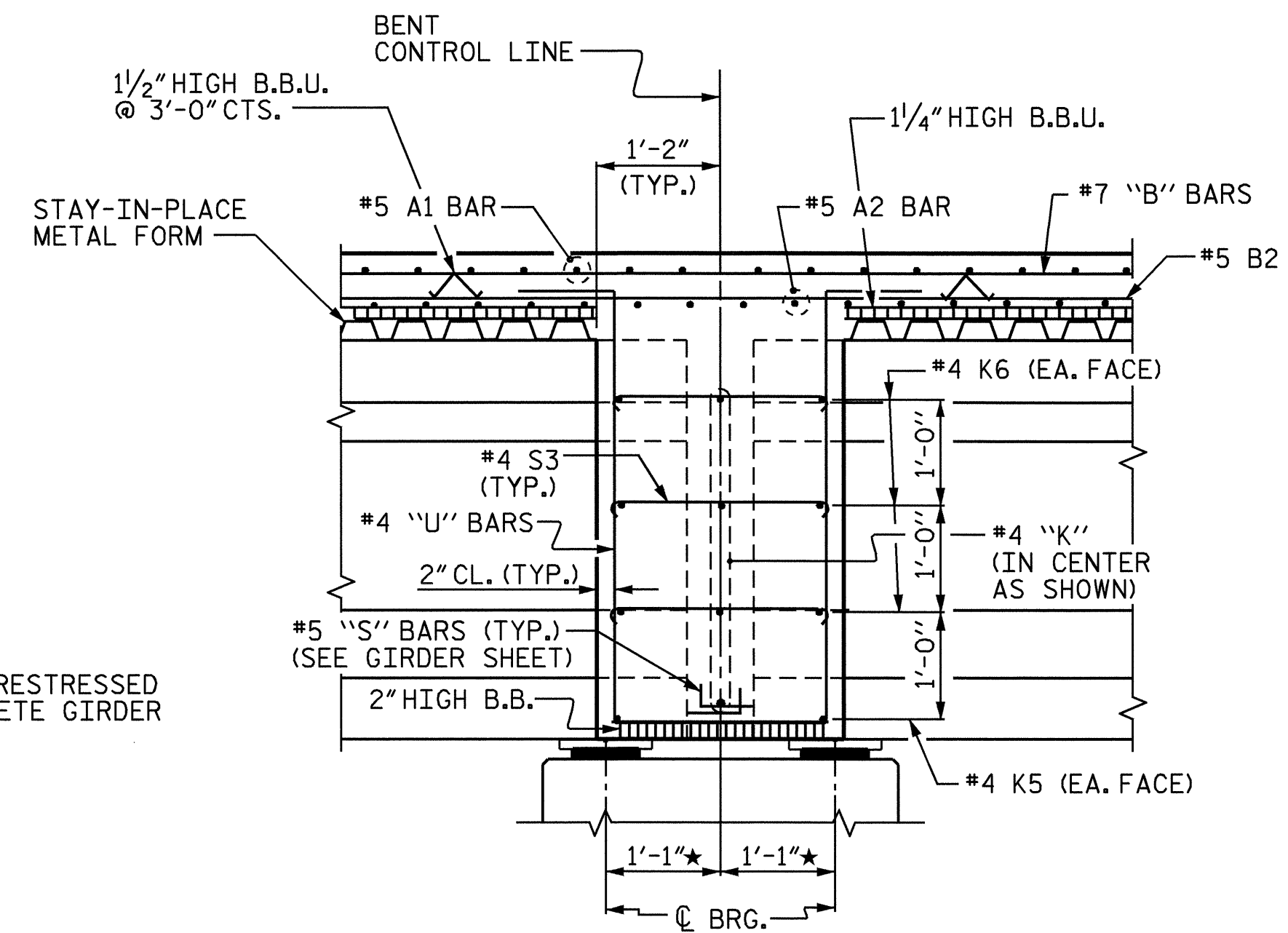


SECTION A-A

▲ #5 G1 BAR MAY BE SHIFTED SLIGHTLY,
AS NECESSARY, TO CLEAR REINFORCING
STEEL AND STIRRUPS.

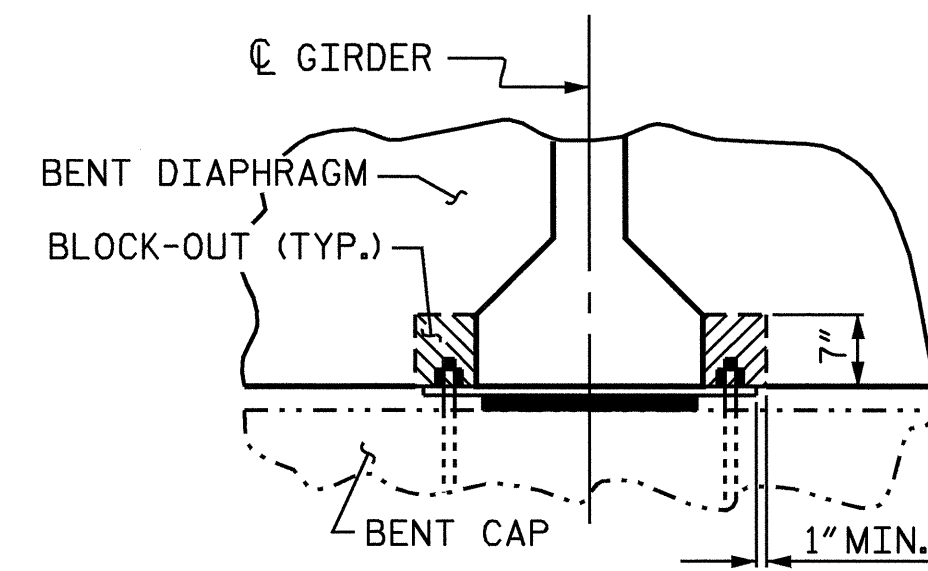


SECTION B-B

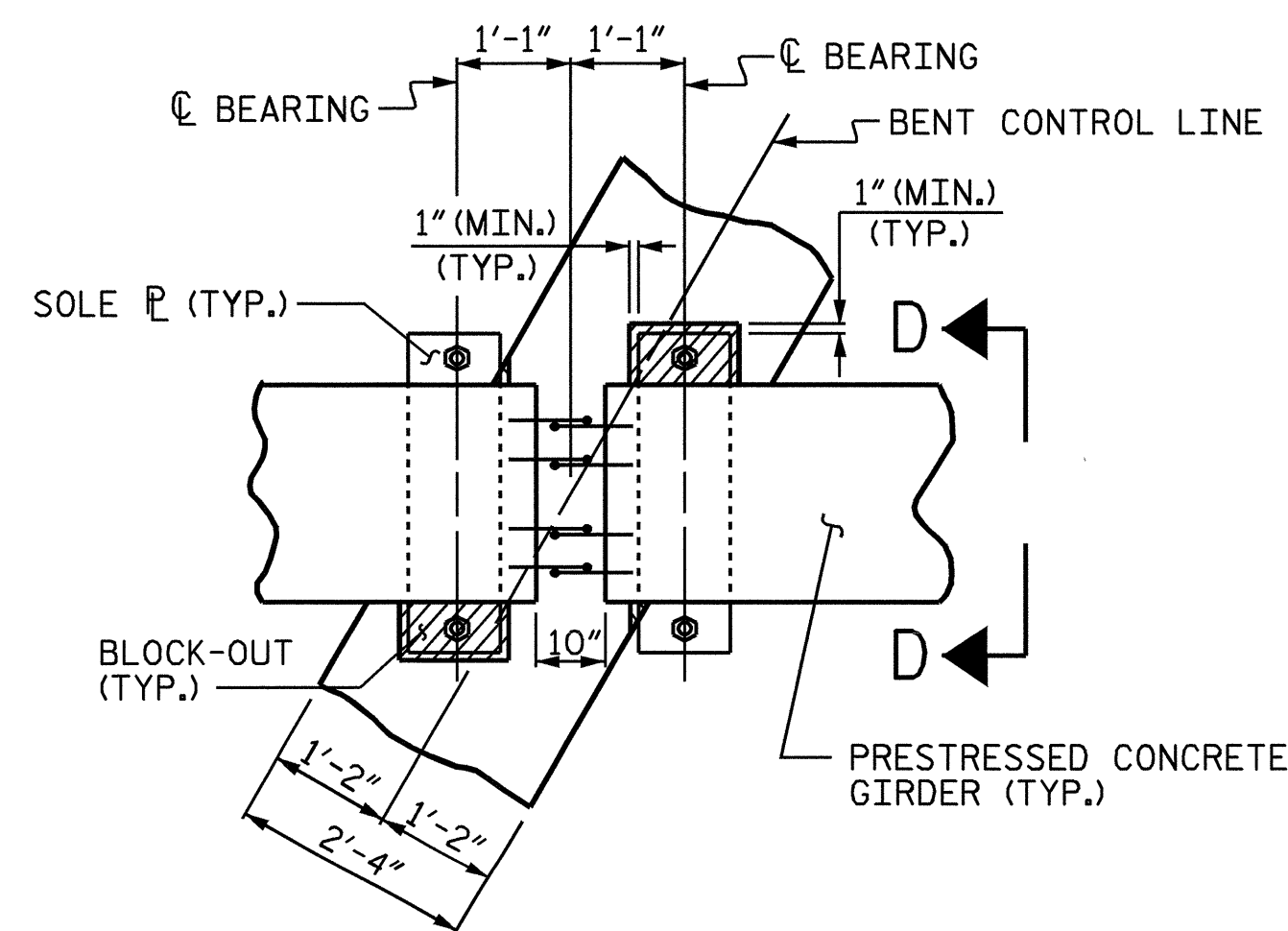


SECTION C-C

*MEASURED ALONG \bar{C} GIRDER

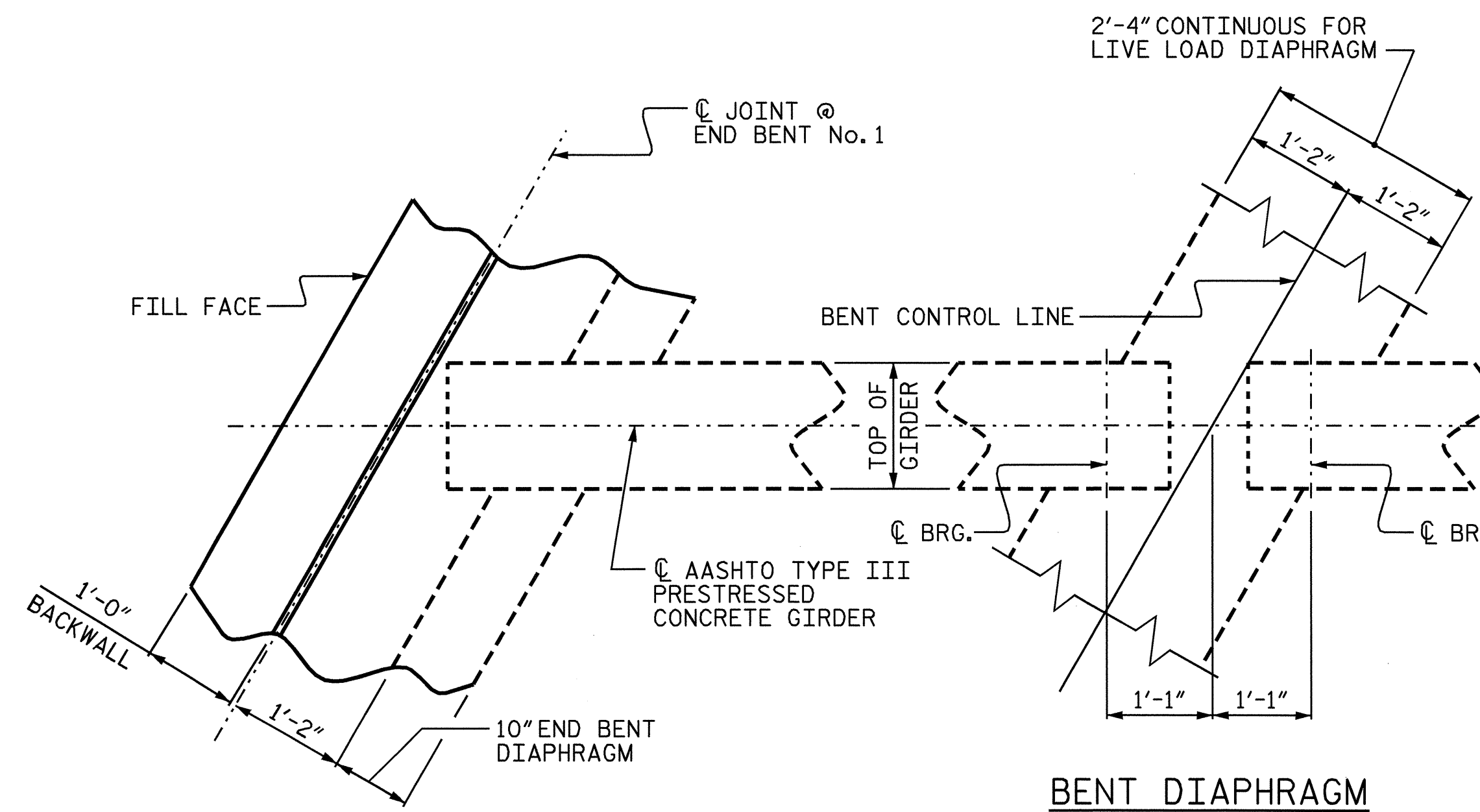


SECTION D-D



PLAN

**BENT DIAPHRAGM
BLOCK-OUT DETAIL**



END BENT DIAPHRAGM

(END BENT No. 1 SHOWN,
END BENT No. 2 SIMILAR)

PLAN OF DIAPHRAGMS

NOTES:

FOR LOCATION OF SECTIONS, SEE "PLAN
OF SPAN" SHEETS.

PROJECT NO. B-3403
ALLEGHANY COUNTY
STATION: 15+17.50 -L-

SHEET 2 OF 2

STATE OF NORTH CAROLINA
DEPARTMENT OF TRANSPORTATION
RALEIGH

SUPERSTRUCTURE
TYPICAL SECTION



DRAWN BY: M. ALLEN DATE: 11/03
CHECKED BY: B.N. GRADY DATE: 12/03

REVISIONS						SHEET NO.	
NO.	BY:	DATE:	NO.	BY:	DATE:	S-5	
1			3			TOTAL SHEETS	
2			4			34	