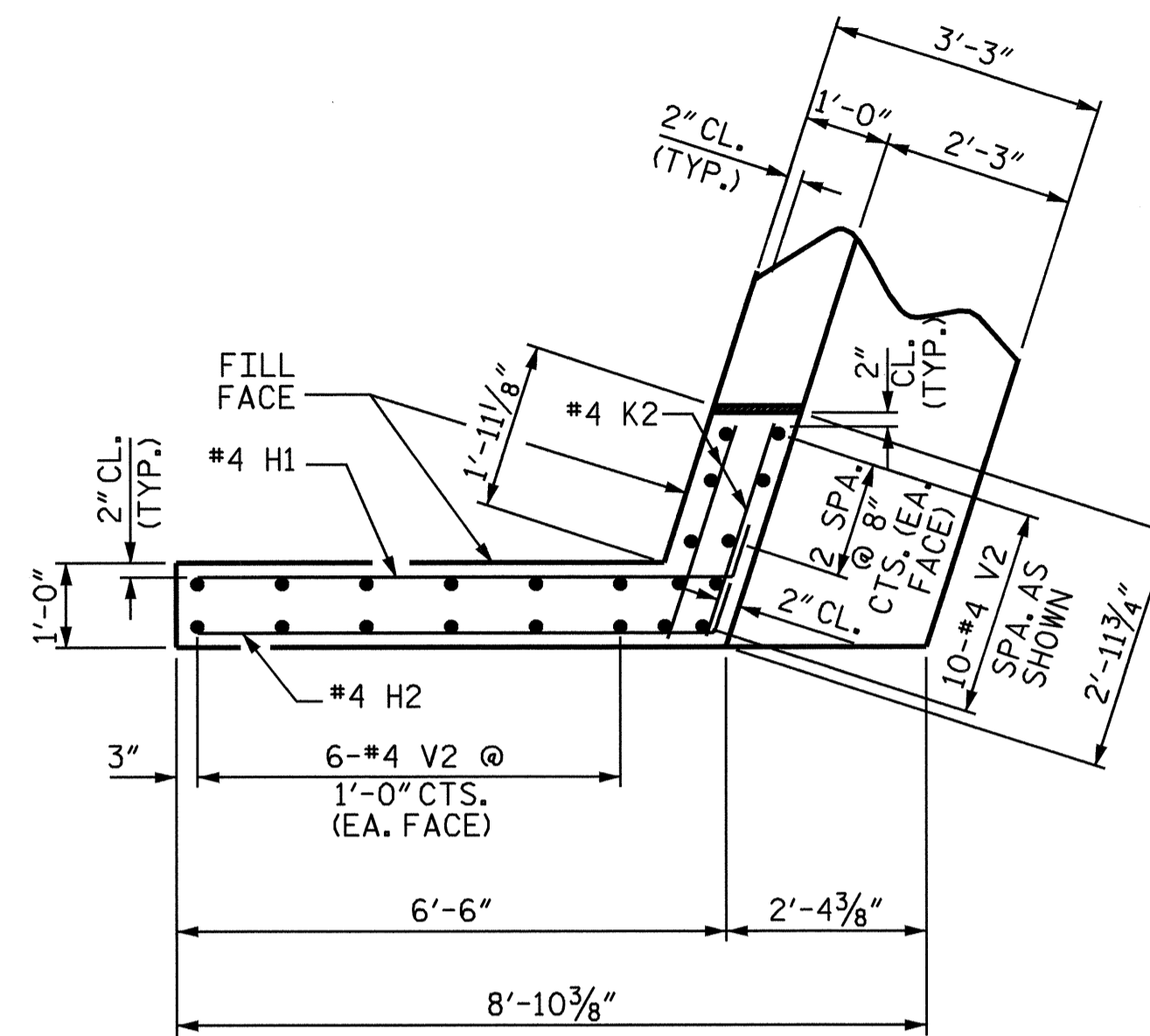
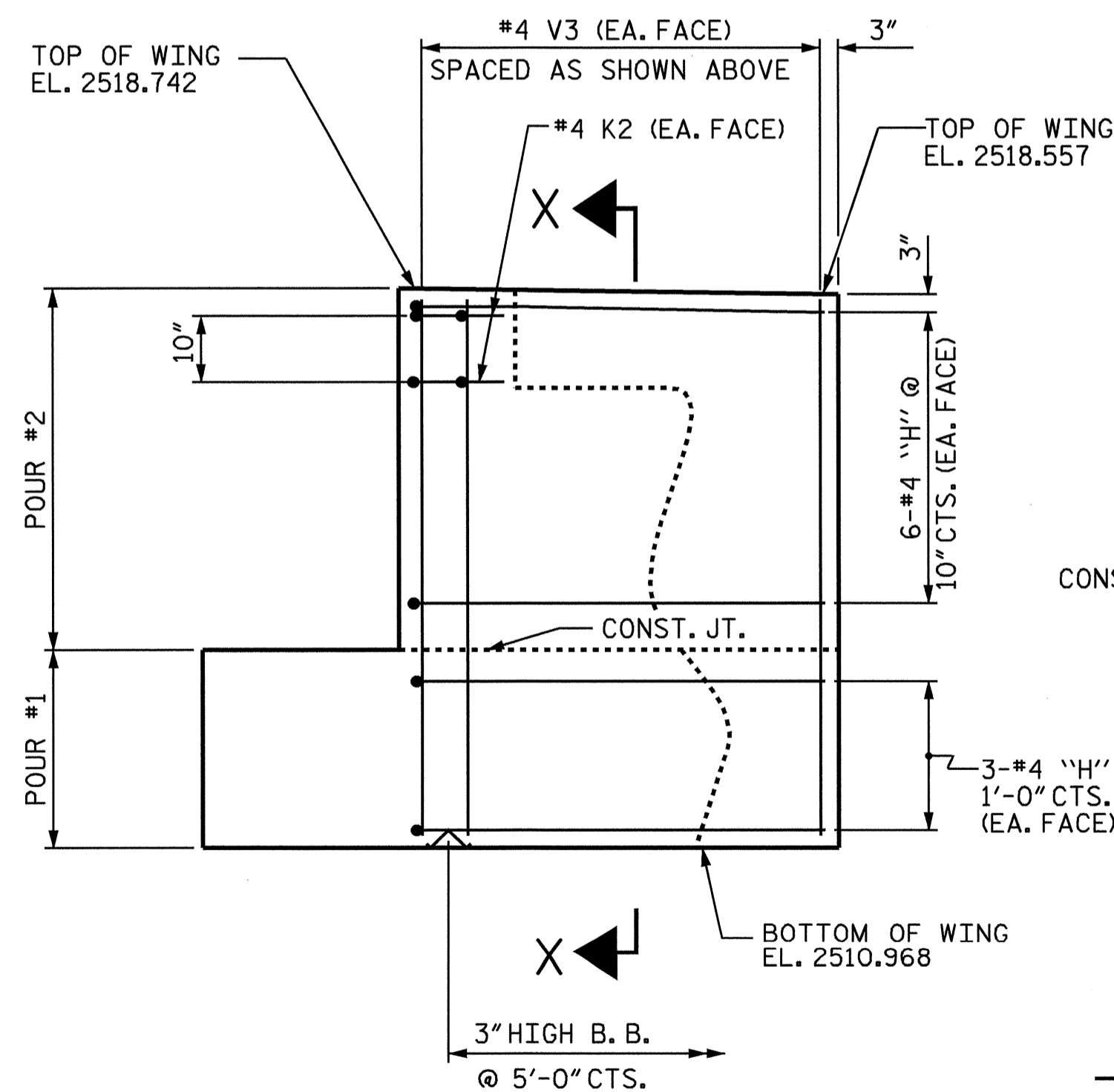


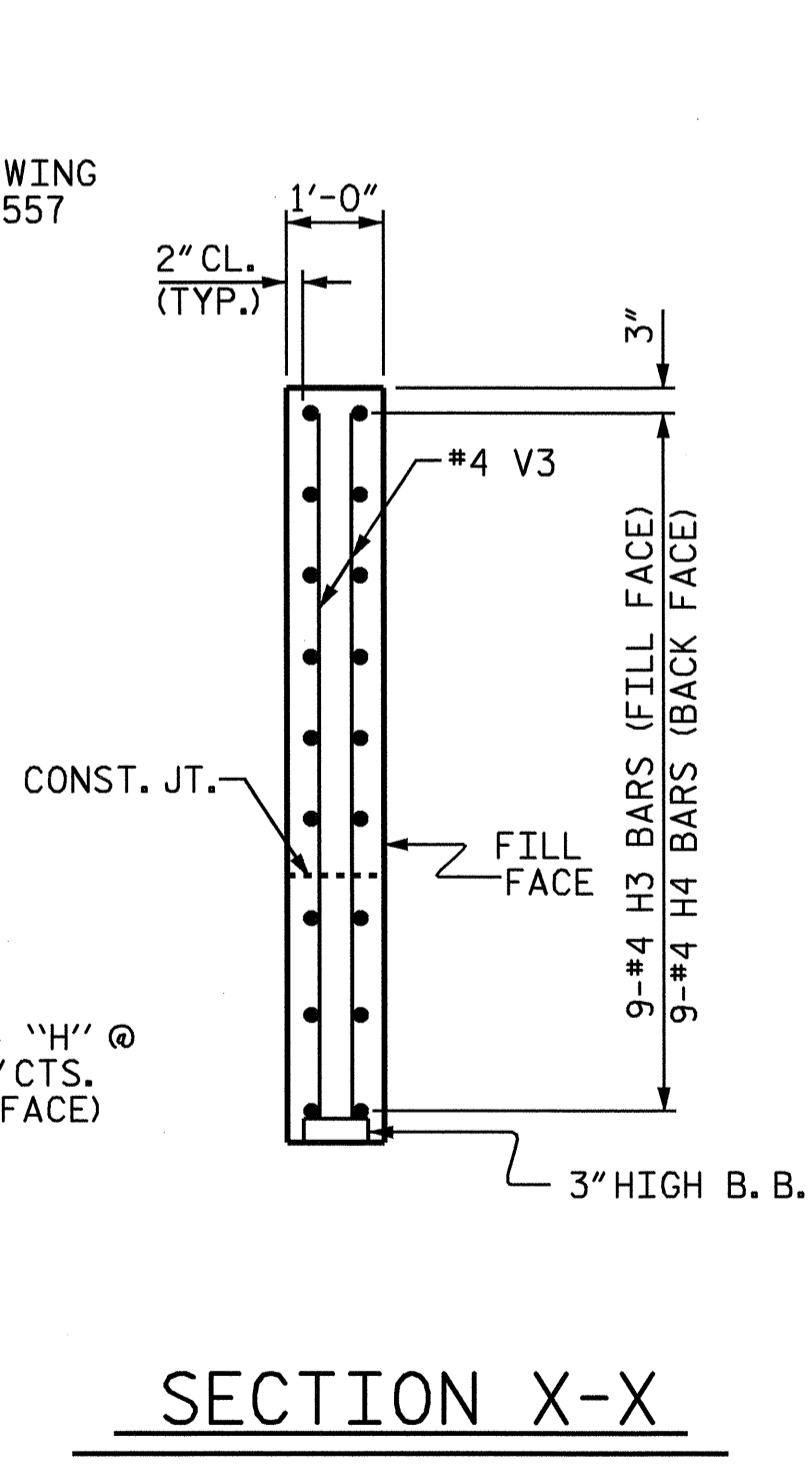
PLAN OF WING (W1)



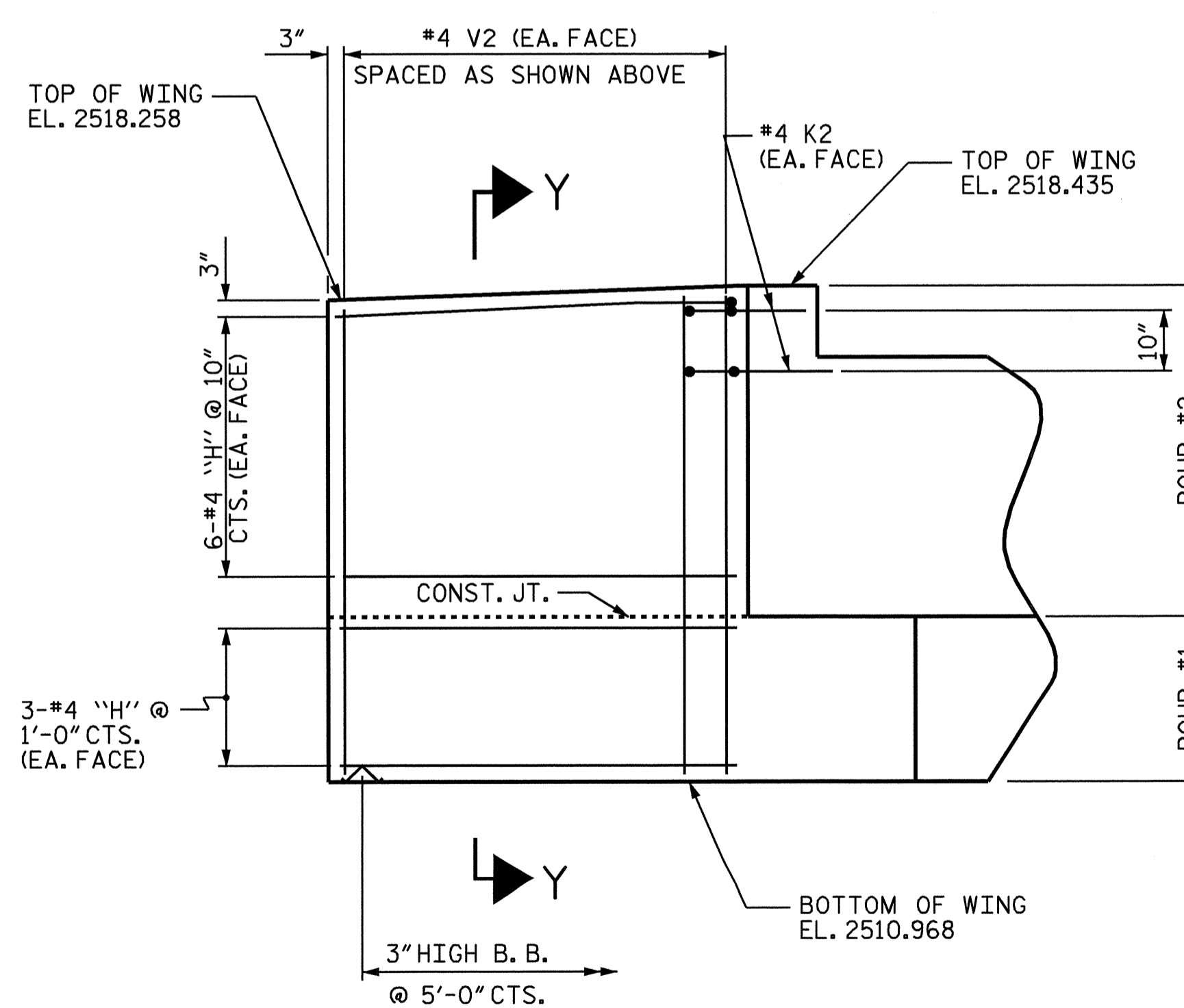
PLAN OF WING (W2)



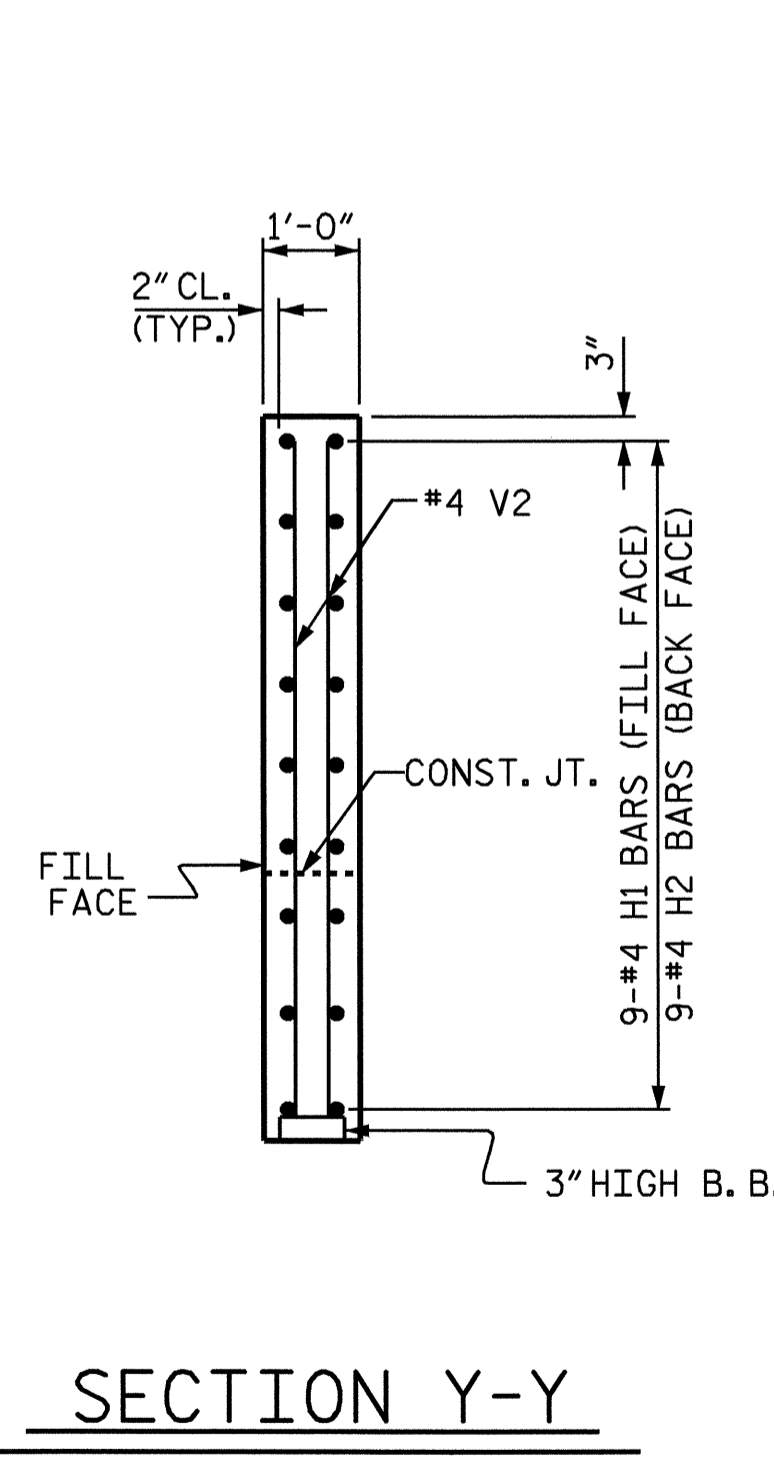
ELEVATION OF WING (W1)



SECTION X-X



ELEVATION OF WING (W2)



SECTION Y-Y



PROJECT NO. B-3403
ALLEGHANY COUNTY
 STATION: 15+17.50 -L-

SHEET 2 OF 3

STATE OF NORTH CAROLINA
 DEPARTMENT OF TRANSPORTATION
 RALEIGH
 SUBSTRUCTURE
 END BENT No. 1

REVISIONS						SHEET NO.	
NO.	BY:	DATE:	NO.	BY:	DATE:	S-19	
1			3			TOTAL	SHEETS
2			4			34	

DRAWN BY : R. G. EMERSON DATE : 02/04
 CHECKED BY : A. R. CHESSON DATE : 03/04