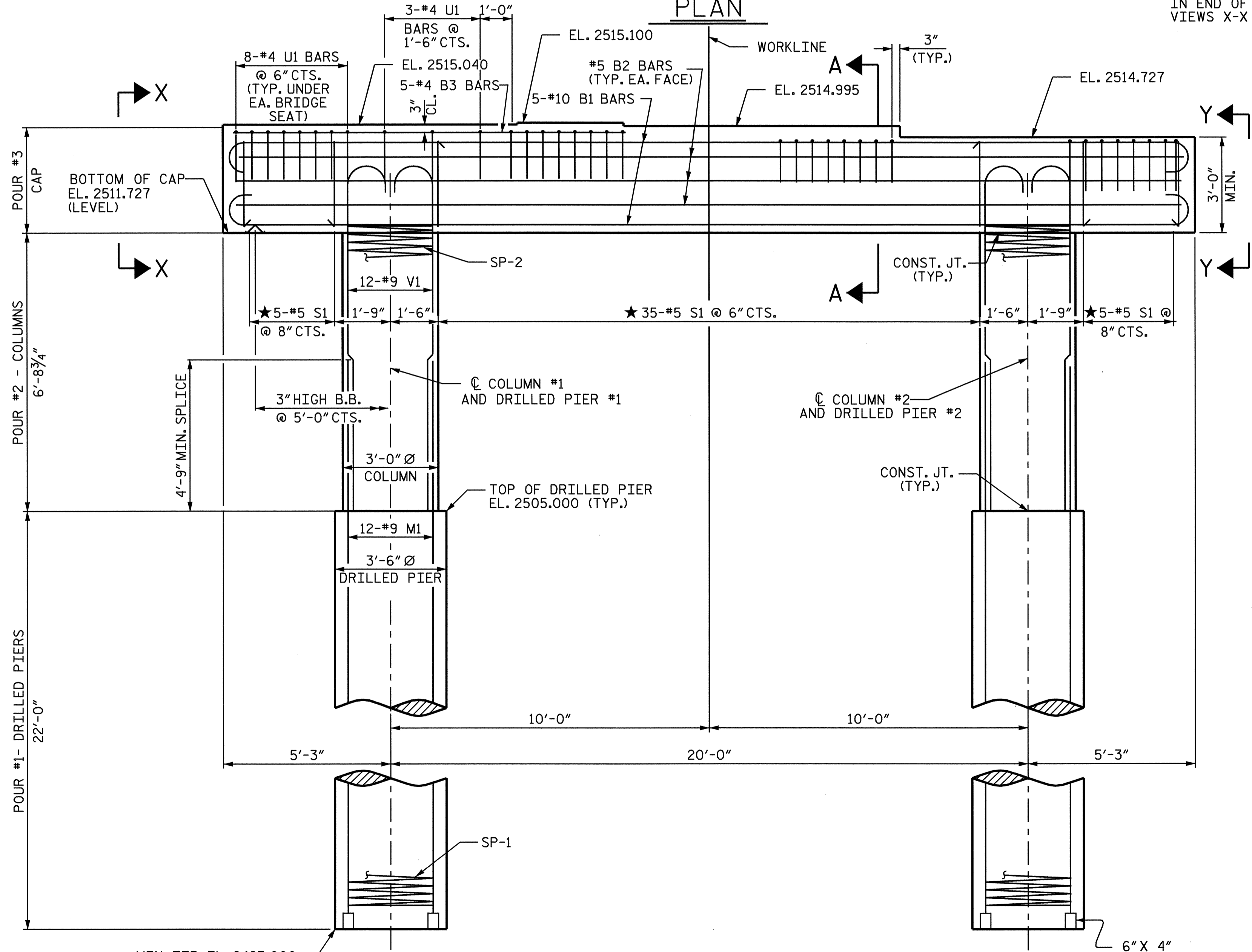


NOTE:
FOR REINFORCING STEEL
IN END OF CAP, SEE
VIEWS X-X & Y-Y

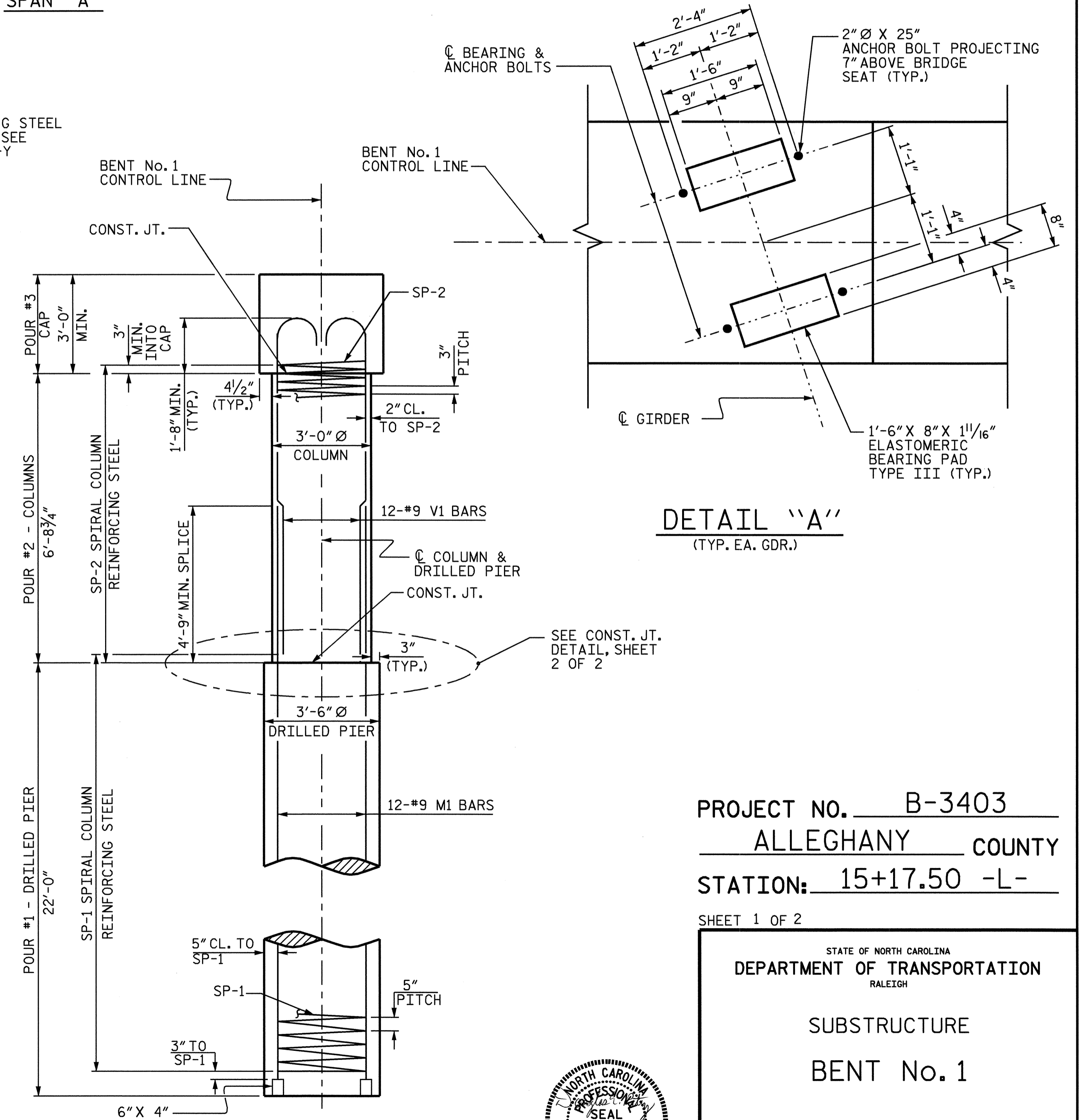
NOTES

- STIRRUPS AND "U" BARS IN CAP MAY BE SHIFTED AS NECESSARY TO CLEAR ANCHOR BOLTS.
- HOOKS ON "V" BARS MAY BE TURNED AS NECESSARY FOR PLACING REINFORCING STEEL.
- ALL STEEL IN THE DRILLED PIERS IS INCLUDED IN THE PAY ITEMS FOR "REINFORCING STEEL" AND "SPIRAL COLUMN REINFORCING STEEL."
- THE LOCATION OF THE CONSTRUCTION JOINT IN THE DRILLED PIERS IS BASED ON AN APPROXIMATE GROUND LINE ELEVATION. IF THE CONSTRUCTION JOINT IS ABOVE THE ACTUAL GROUND LINE ELEVATION, THE CONTRACTOR SHALL PLACE THE CONSTRUCTION JOINT 1 FT. BELOW THE GROUND LINE.
- FOR DRILLED PIERS, SEE SPECIAL PROVISIONS.
- ★ INVERT ALTERNATE STIRRUPS AS SHOWN
- THE CONTRACTOR'S ATTENTION IS CALLED TO THE FACT THAT THE LONGITUDINAL REINFORCEMENT FOR THE DRILLED PIERS IS DETAILED WITH THREE FEET OF EXTRA LENGTH.
- FOR PERMANENT STEEL CASING, SEE SPECIAL PROVISION FOR DRILLED PIERS.



ELEVATION

(DETAILS, DIMENSIONS, AND REINFORCING STEEL ARE TYPICAL FOR EACH COLUMN AND DRILLED PIER)



END ELEVATION

REINFORCING STEEL IS TYPICAL FOR EACH COLUMN AND DRILLED PIER

DETAIL "A"
(TYP. EA. GDR.)



PROJECT NO. B-3403
ALLEGHANY COUNTY
STATION: 15+17.50 -L-
SHEET 1 OF 2

STATE OF NORTH CAROLINA DEPARTMENT OF TRANSPORTATION RALEIGH					
SUBSTRUCTURE BENT No. 1					
REVISIONS					
NO.	BY:	DATE:	NO.	BY:	DATE:
1			3		
2			4		
SHEET NO.					SHEET NO.
					S-21
					TOTAL SHEETS
					34

DRAWN BY: R. G. EMERSON DATE: 02/04
CHECKED BY: MIKE BRITT DATE: 02/04