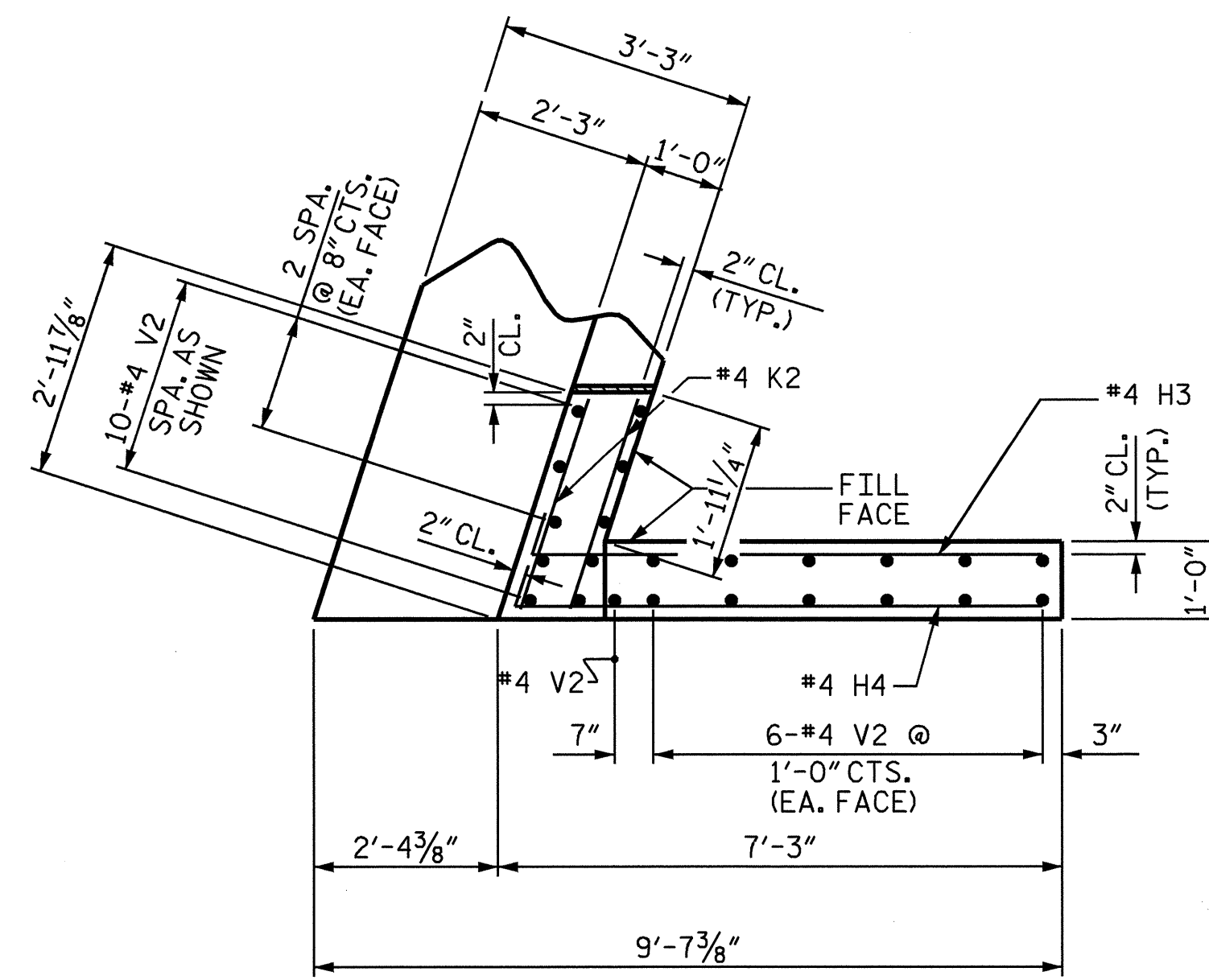
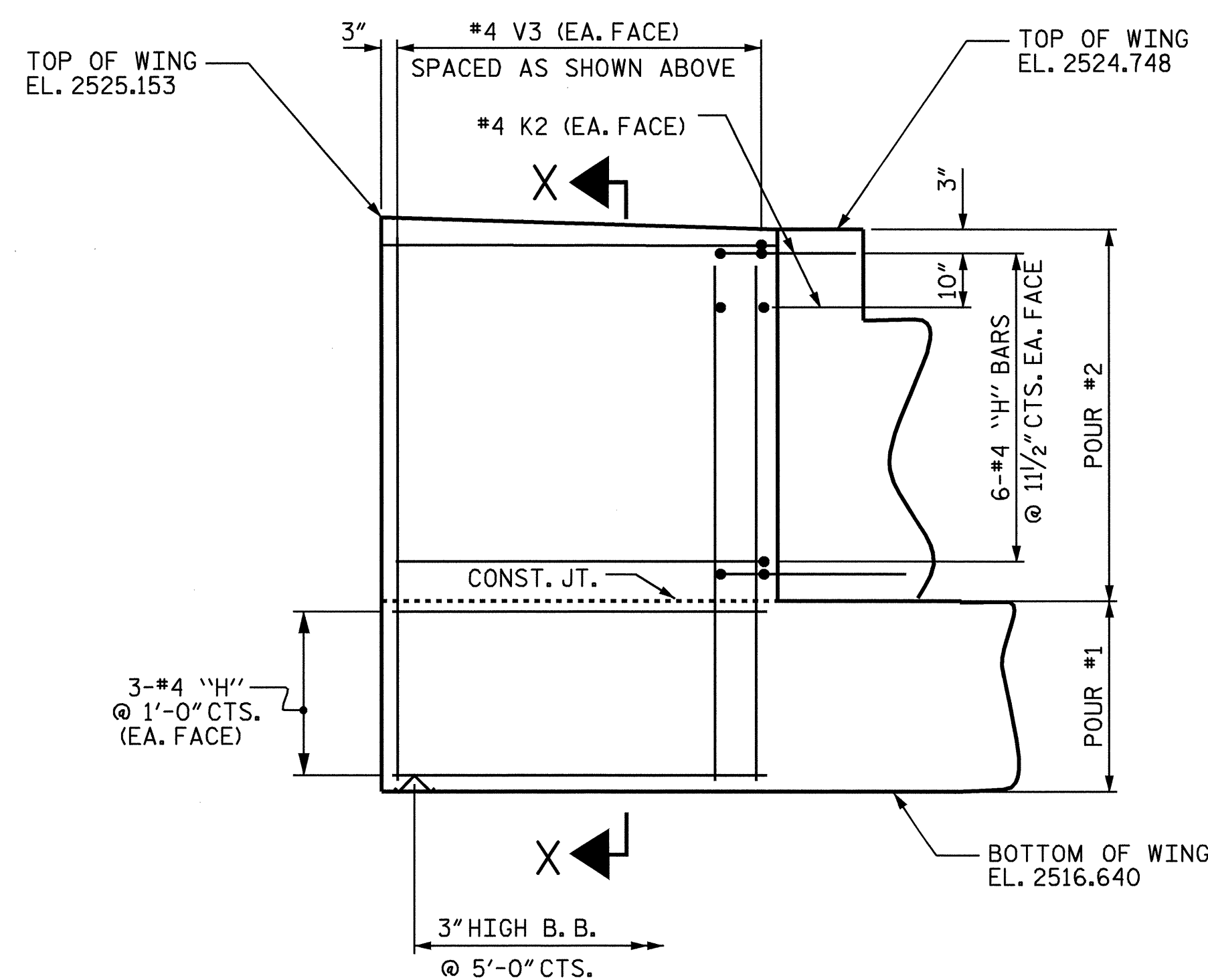


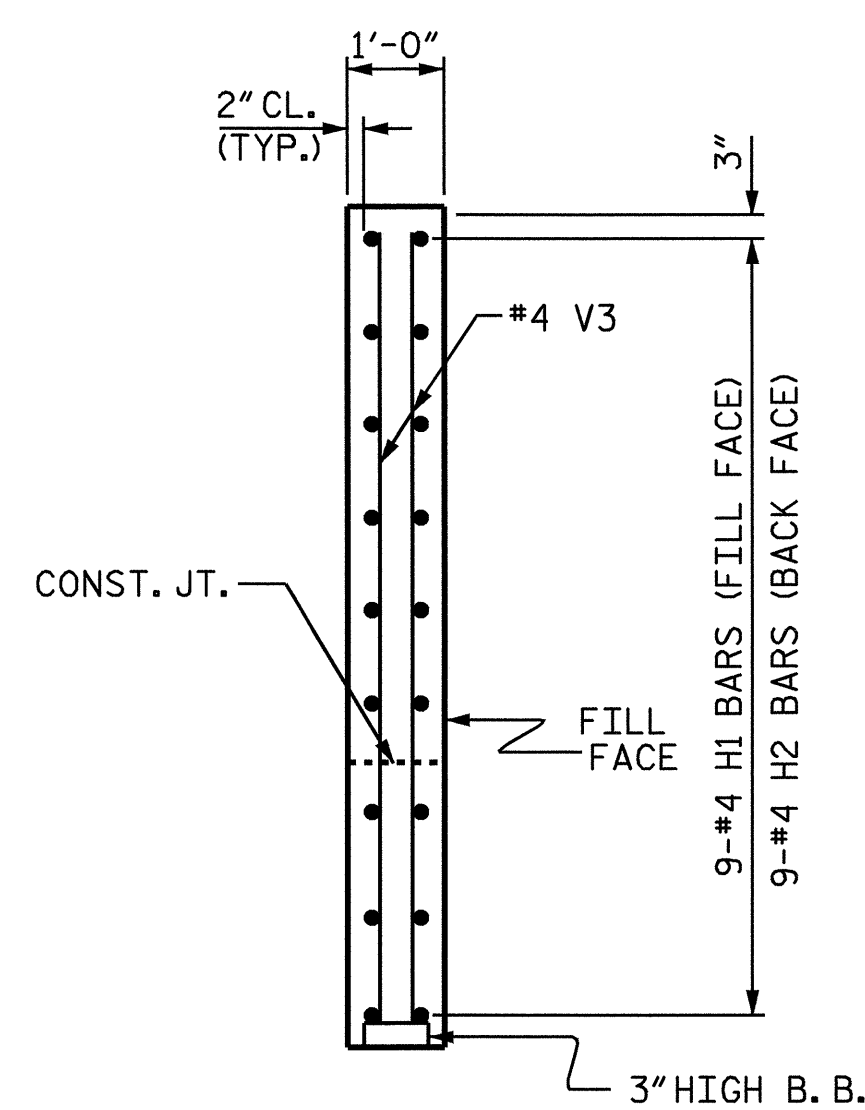
PLAN OF WING (W1)



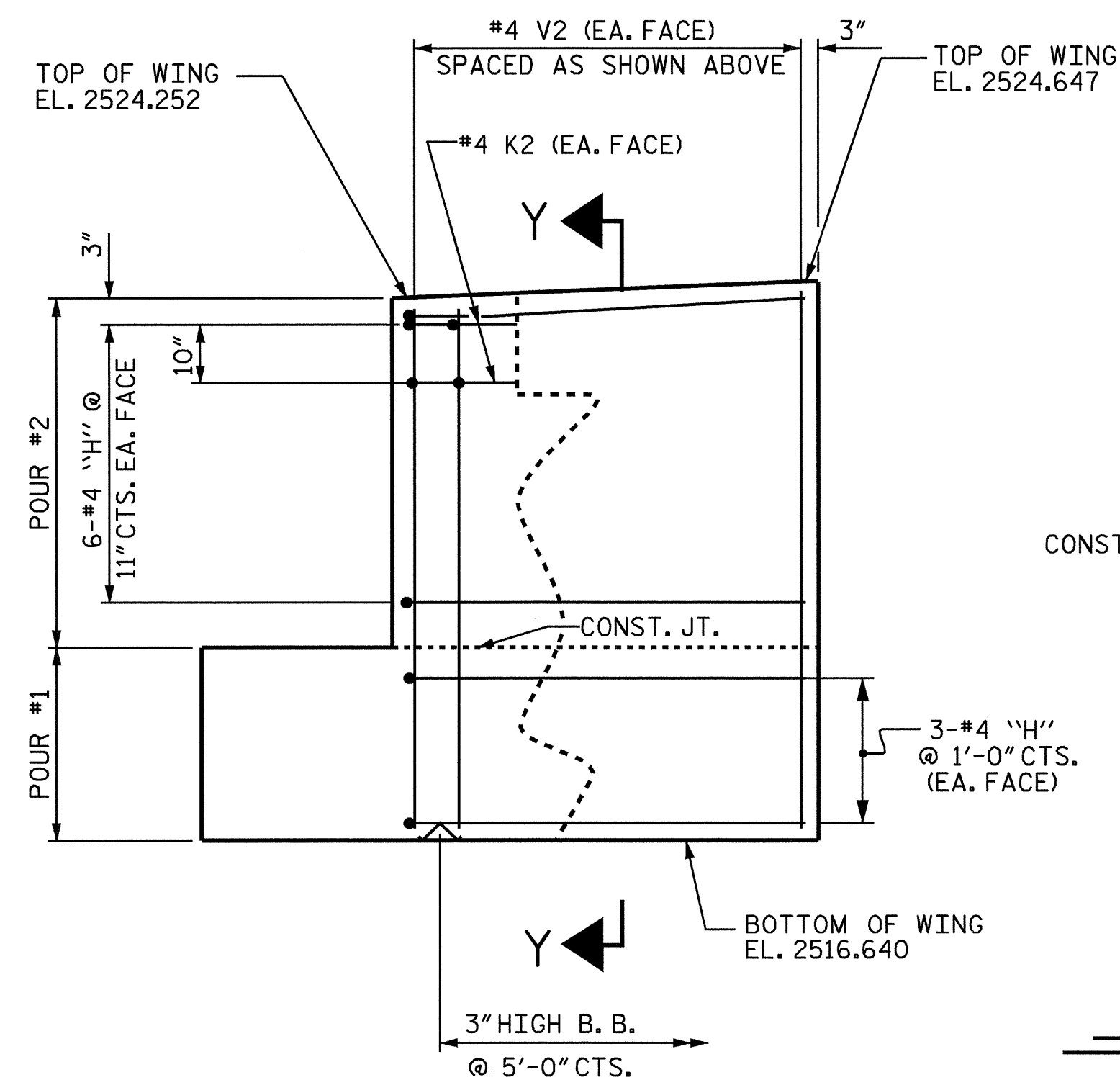
PLAN OF WING (W2)



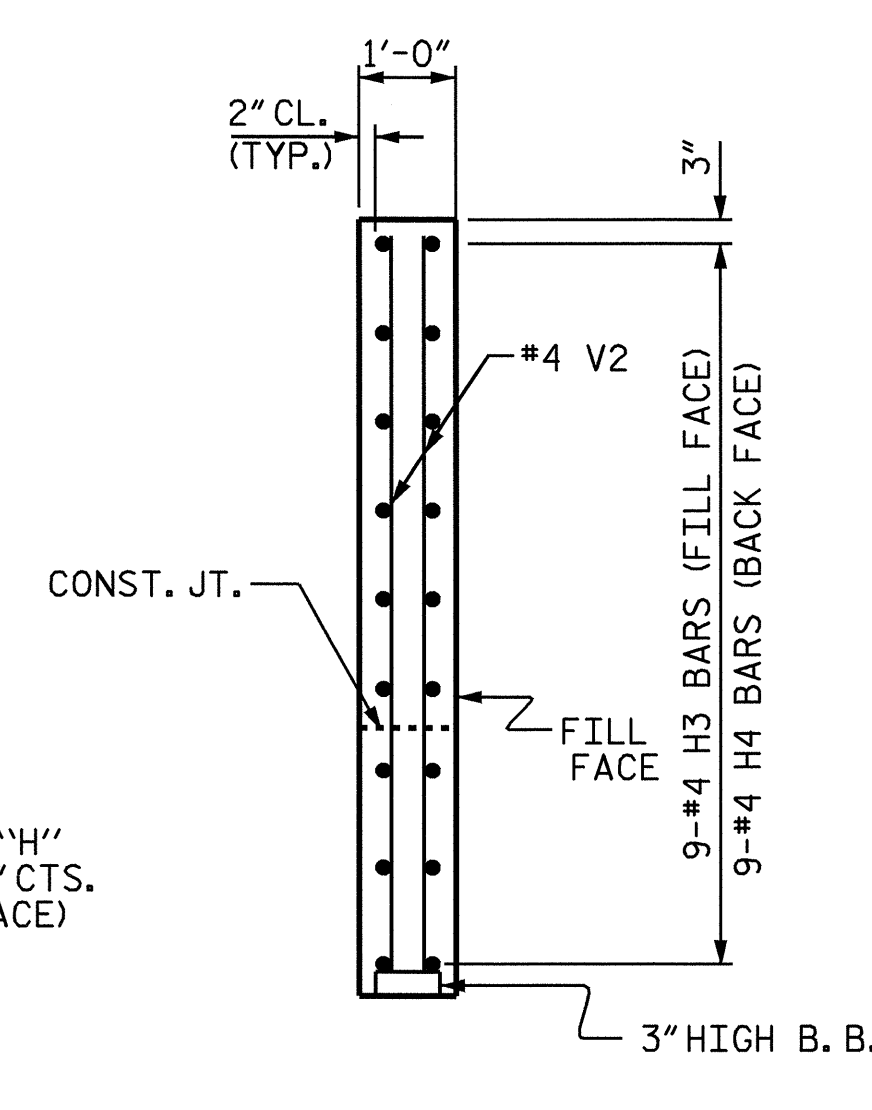
ELEVATION OF WING (W1)



SECTION X-X



ELEVATION OF WING (W2)



SECTION Y-Y

PROJECT NO. B-3403
 ALLEGHANY COUNTY
 STATION: 15+17.50 -L-

SHEET 2 OF 3

STATE OF NORTH CAROLINA
 DEPARTMENT OF TRANSPORTATION
 RALEIGH

SUBSTRUCTURE

END BENT No. 2



DRAWN BY: R. G. EMERSON DATE: 02/04
 CHECKED BY: A. R. CHESSON DATE: 03/04

05-OCT-2004 11:55
 W:\sqadw\B3403\remerson\Microstation\B3403.sd.EB.02.dgn
 achesson

REVISIONS						SHEET NO.	
NO.	BY:	DATE:	NO.	BY:	DATE:	S-26	
1			3			TOTAL SHEETS	34
2			4				