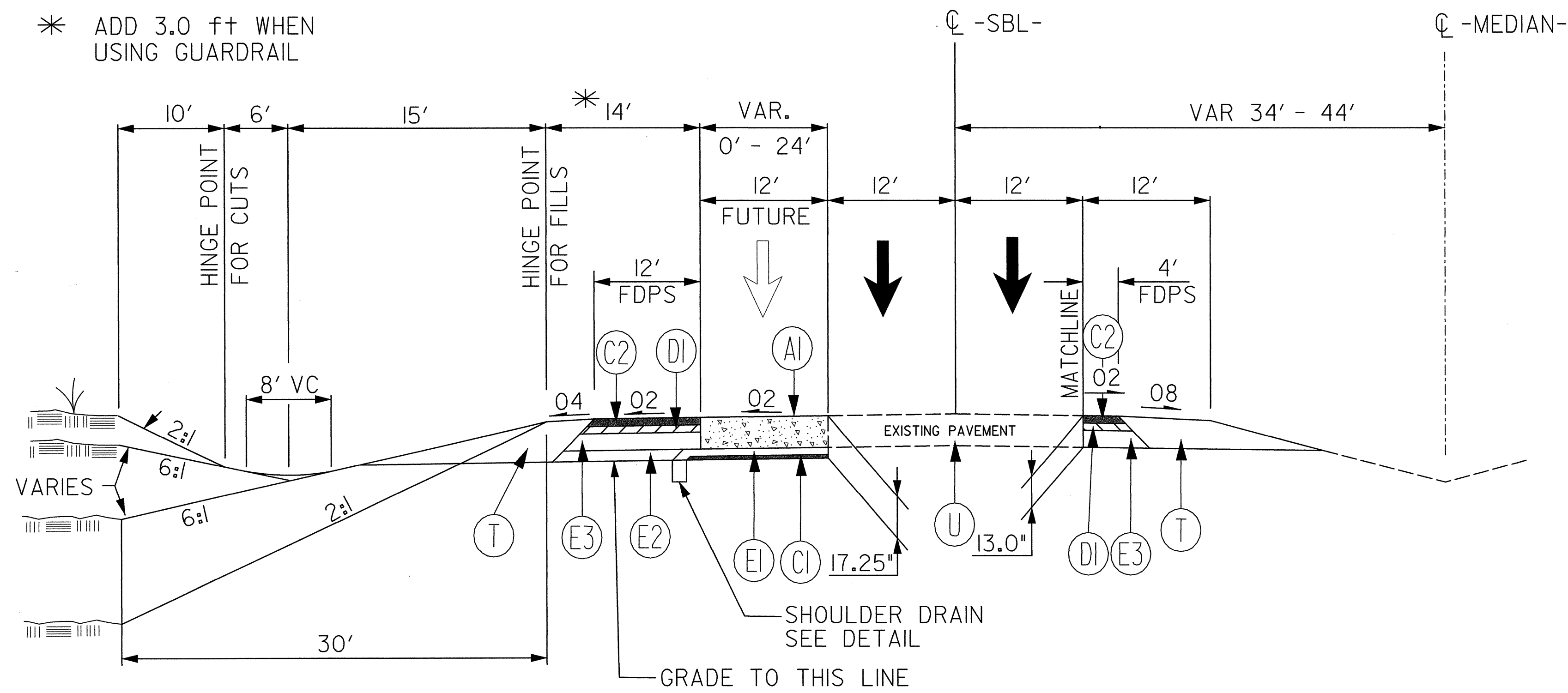


6/2/99

PROJECT REFERENCE NO. 1-4025A	SHEET NO. 2
ROADWAY DESIGN ENGINEER WARREN F. LANG 8-10-04	PAVEMENT DESIGN ENGINEER CLARK S. MORRISON 8/10/04

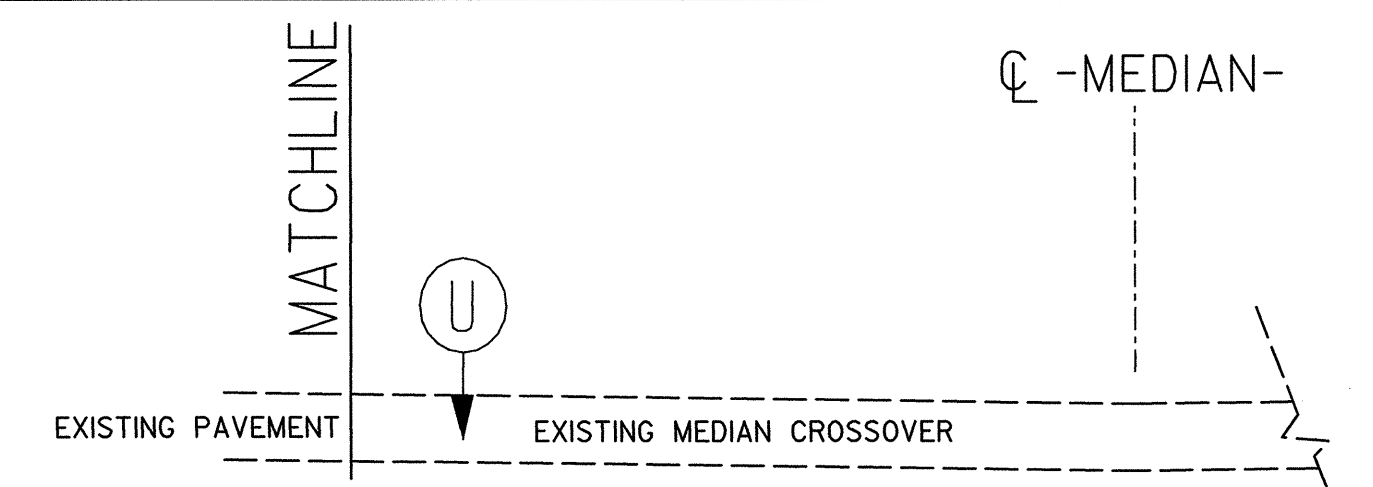
* ADD 3.0 ft WHEN USING GUARDRAIL



TYPICAL SECTION NO. 1

1-77

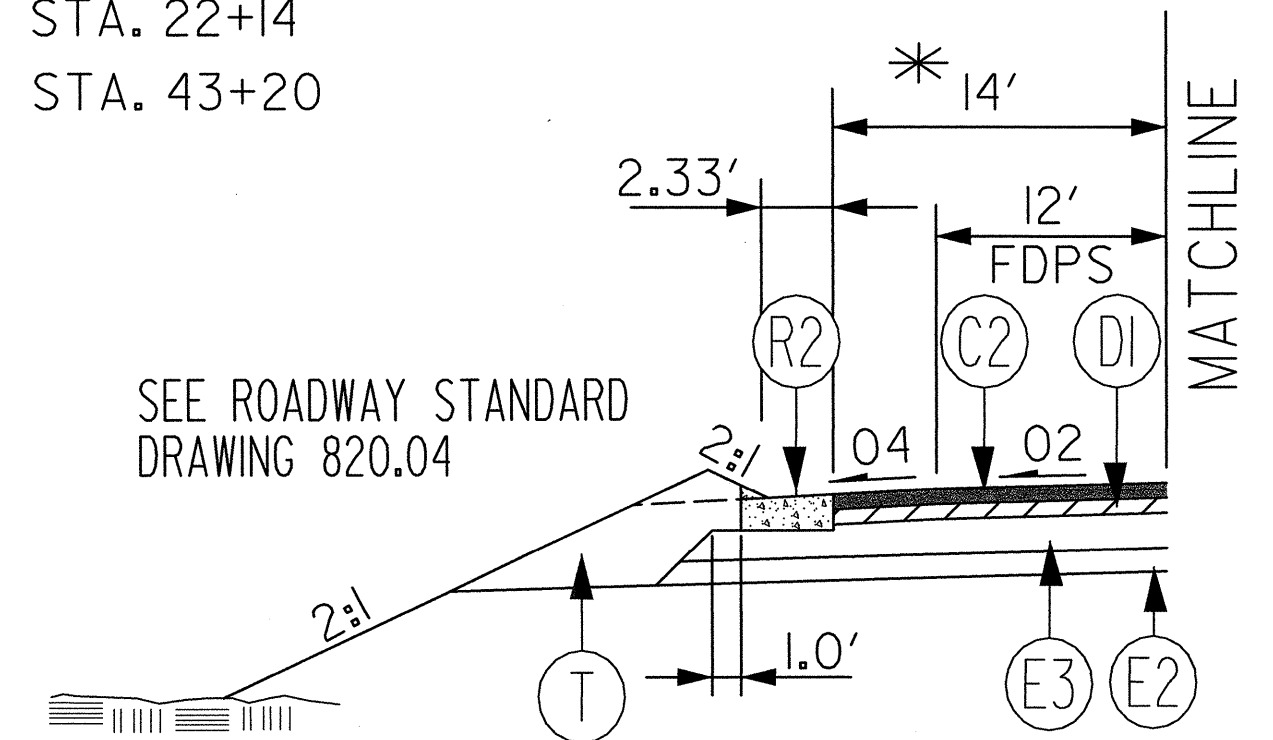
-SBL- STA. 8+90.00 TO -SBL- STA. 19+50.00
-SBL- STA. 37+95.00 TO -SBL- STA. 48+15.00



TYPICAL SECTION NO. 1A

USE TYPICAL SECTION NO. 1A IN CONJUNCTION WITH TYPICAL SECTION NO. 1 AS FOLLOWS:

-SBL- STA. 15+03 TO -SBL- STA. 22+14
-SBL- STA. 36+00 TO -SBL- STA. 43+20

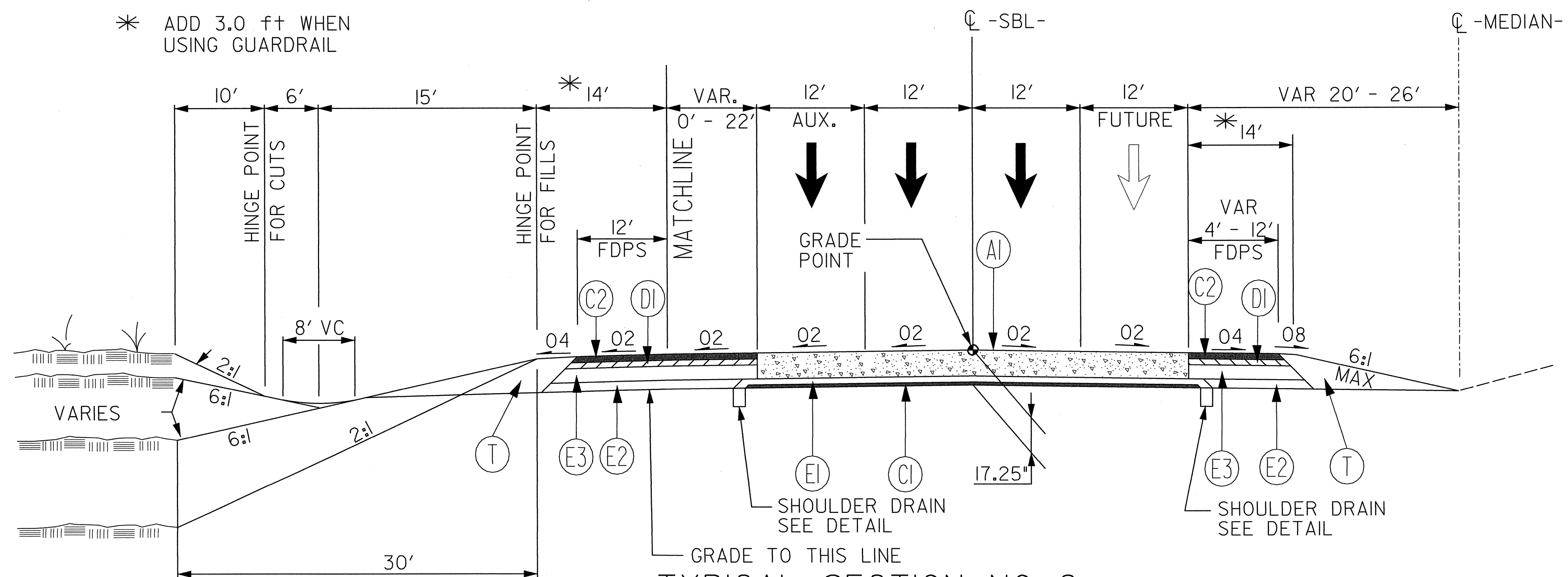


TYPICAL SECTION NO. 2A

USE TYPICAL SECTION NO. 2A IN CONJUNCTION WITH TYPICAL SECTION NO. 2 AS FOLLOWS:

-SBL- STA. 19+50.00 TO BRIDGE STA. 25+15.00 LT
BRIDGE STA. 32+75.00 TO -SBL- STA. 33+75.00 LT
-SBL- STA. 23+75.00 TO BRIDGE STA. 25+15.00 RT
BRIDGE STA. 32+75.00 TO -SBL- STA. 33+29 RT

* ADD 3.0 ft WHEN USING GUARDRAIL



TYPICAL SECTION NO. 2

1-77

-SBL- STA. 19+50.00 TO BRIDGE STA. 25+15.00
BRIDGE STA. 32+75.00 TO -SBL- STA. 37+95.00

PAVEMENT SCHEDULE	
A1	13" PORTLAND CEMENT CONCRETE PAVEMENT.
C1	PROP. APPROX. 1 1/4" ASPHALT CONCRETE SURFACE COURSE, TYPE S9.5B, AT AN AVERAGE RATE OF 140 LBS. PER SQ. YD.
C2	PROP. APPROX. 3" ASPHALT CONCRETE SURFACE COURSE, TYPE S9.5C, AT AN AVERAGE RATE OF 168 LBS. PER SQ. YD. IN EACH OF TWO LAYERS.
D1	PROP. APPROX. 3" ASPHALT CONCRETE INTERMEDIATE COURSE, TYPE I19.0C, AT AN AVERAGE RATE OF 342 LBS. PER SQ. YD.
E1	PROP. APPROX. 3" ASPHALT CONCRETE BASE COURSE, TYPE B25.0B, AT AN AVERAGE RATE OF 342 LBS. PER SQ. YD.
E2	PROP. APPROX. 4 1/4" ASPHALT CONCRETE BASE COURSE, TYPE B25.0C, AT AN AVERAGE RATE OF 485 LBS. PER SQ. YD.
E3	PROP. APPROX. 7" ASPHALT CONCRETE BASE COURSE, TYPE B25.0C, AT AN AVERAGE RATE OF 399 LBS. PER SQ. YD. IN EACH OF TWO LAYERS.
R1	TEMP. CONCRETE BARRIER
R2	PROP. SHOULDER BERM GUTTER.
T	EARTH MATERIAL.
U	EXISTING PAVEMENT

NOTE: ALL PAVEMENT EDGE SLOPES ARE 1:1 UNLESS OTHERWISE NOTED.

08/04/2004 9:40:25a-r.dj- ttyp.dgn