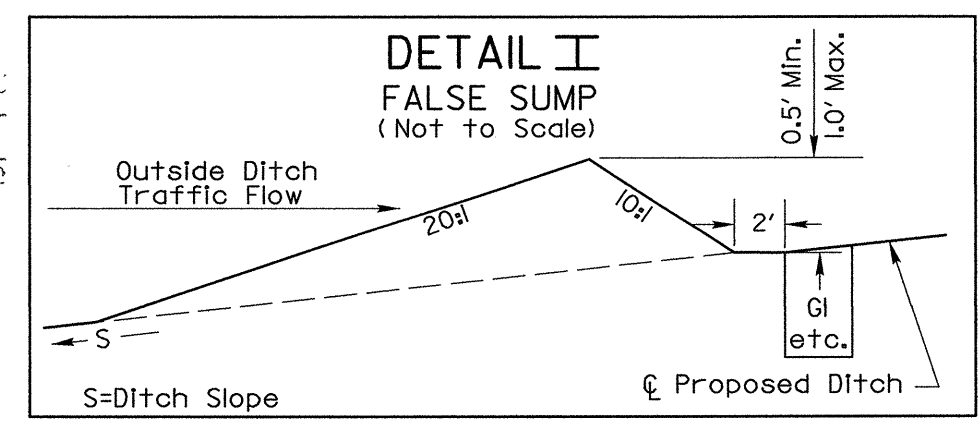
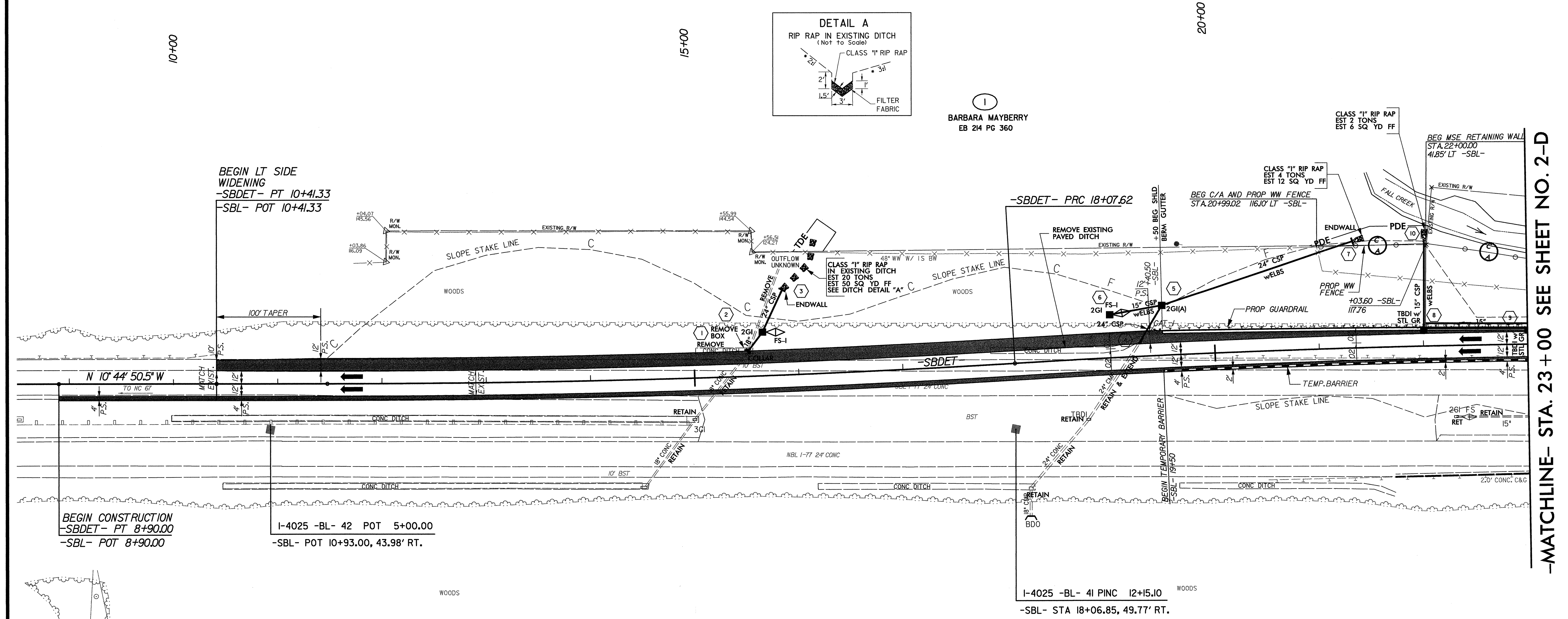
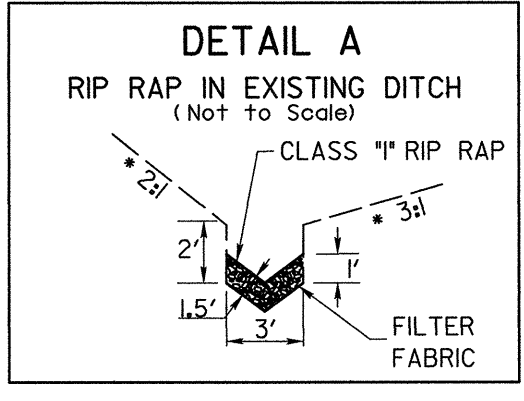


DETOUR DETAIL

NAD 83 | NC GRID

-SBDET-

PI Sta 14+77.72	PI Sta 21+37.70
$\Delta = 3^{\circ} 17' 59.8''$ (LT)	$\Delta = 3^{\circ} 17' 59.6''$ (RT)
D = 0' 30' 00.0"	D = 0' 30' 00.0"
L = 659.99'	L = 659.98'
T = 330.08'	T = 330.08'
R = 11,459.16'	R = 11,459.16'
SE = NC	SE = NC
DS = 55 MPH	DS = 55 MPH



ROADWAY	STATION	SIDE
-SBL-	15+65	LT
-SBL-	19+00	LT

FOR ROADWAY PLAN, SEE SHEET 4
FOR RETAINING WALL DETAILS, SEE STRUCTURE PLANS

Plans prepared by:
KO & ASSOCIATES, P.C.
Consulting Engineers
1011 SCHaub DR., SUITE #202
RALEIGH, N.C. 27606
For Division of Highways

-MATCHLINE- STA. 23 + 00 SEE SHEET NO. 2-D

09/08/2004
C:\Projects\4025a_rdu_psh_det1.dgn
KO & Associates, P.C.