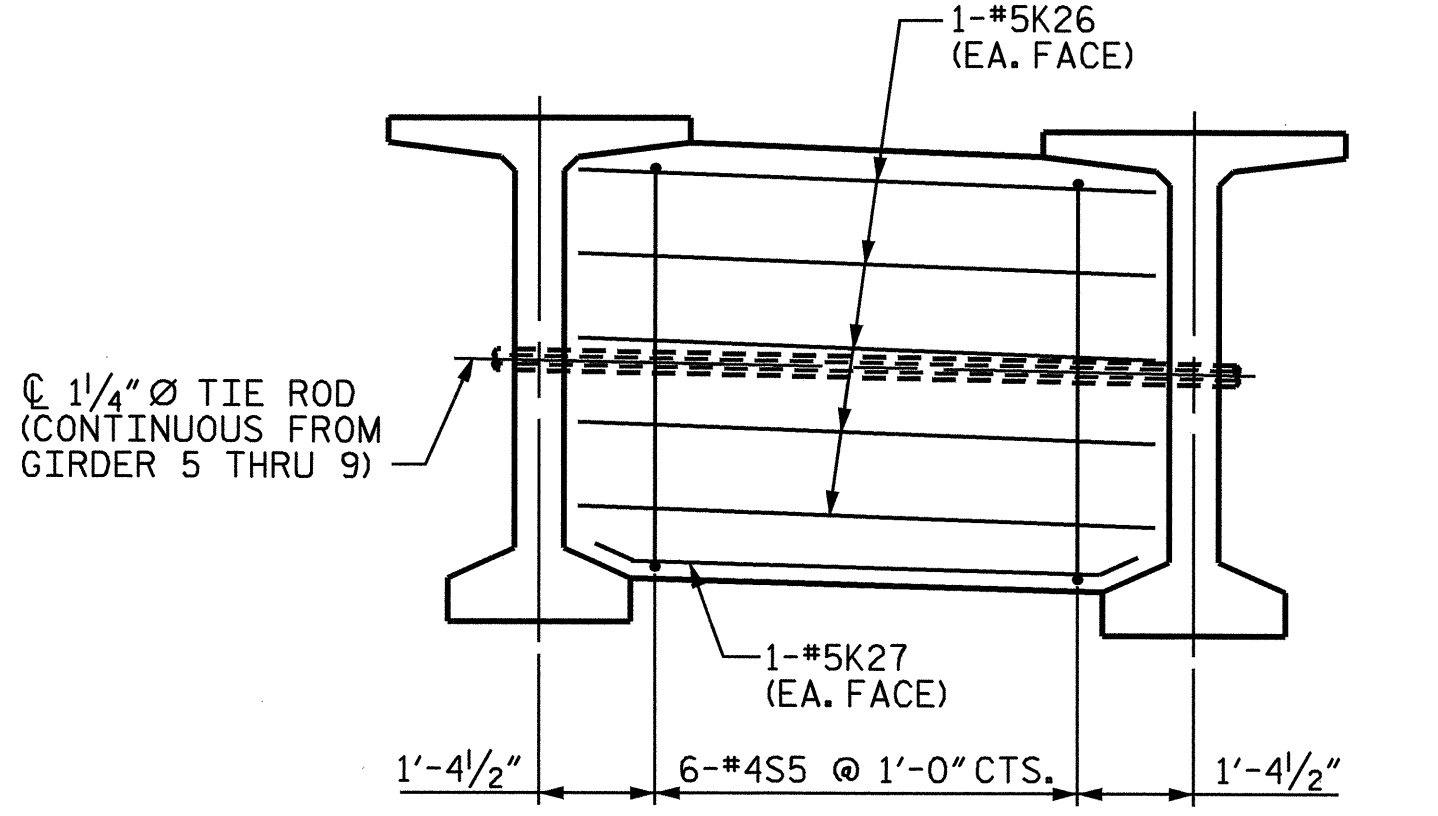
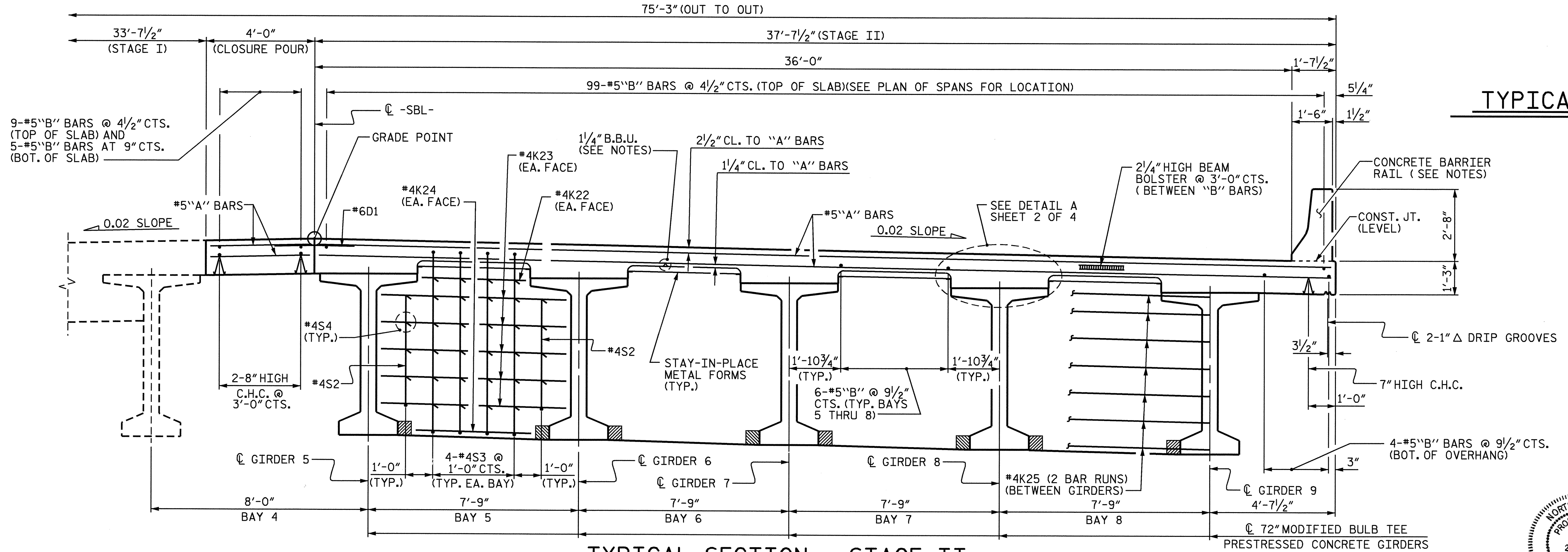


TYPICAL SECTION - STAGE II

SHOWING END BENT 2 AND BENT 5 DIAPHRAGMS.
 DECK DRAINS NOT SHOWN, FOR DECK DRAIN LOCATION AND DETAILS SEE "SUPERSTRUCTURE DECK DRAIN DETAIL SHEET."



TYPICAL INTERMEDIATE DIAPHRAGM FOR STAGE II



TYPICAL SECTION - STAGE II

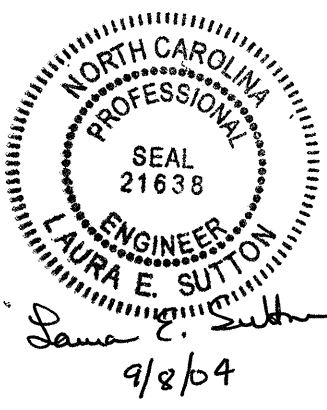
SHOWING BENT 6 DIAPHRAGMS.
 DECK DRAINS NOT SHOWN, FOR DECK DRAIN LOCATION AND DETAILS SEE "SUPERSTRUCTURE DECK DRAIN DETAIL SHEET."

PROJECT NO. I-4025A
YADKIN - SURRY COUNTY
 STATION: 28+95.00 -SBL-

SHEET 3 OF 4

STATE OF NORTH CAROLINA
 DEPARTMENT OF TRANSPORTATION
 RALEIGH

SUPERSTRUCTURE
TYPICAL SECTIONS
SPANS F AND G



DRAWN BY : T.A. WALTER DATE : 5/17/04
 CHECKED BY : M.A. ALLEN DATE : 8/4/04

18-AUG-2004 09:05
 W:\SquadL\14025a\T Walter\I4025A.SD.TS.dgn
 twalter

REVISIONS						SHEET NO.
NO.	BY:	DATE:	NO.	BY:	DATE:	TOTAL SHEETS
1			3			69
2			4			78