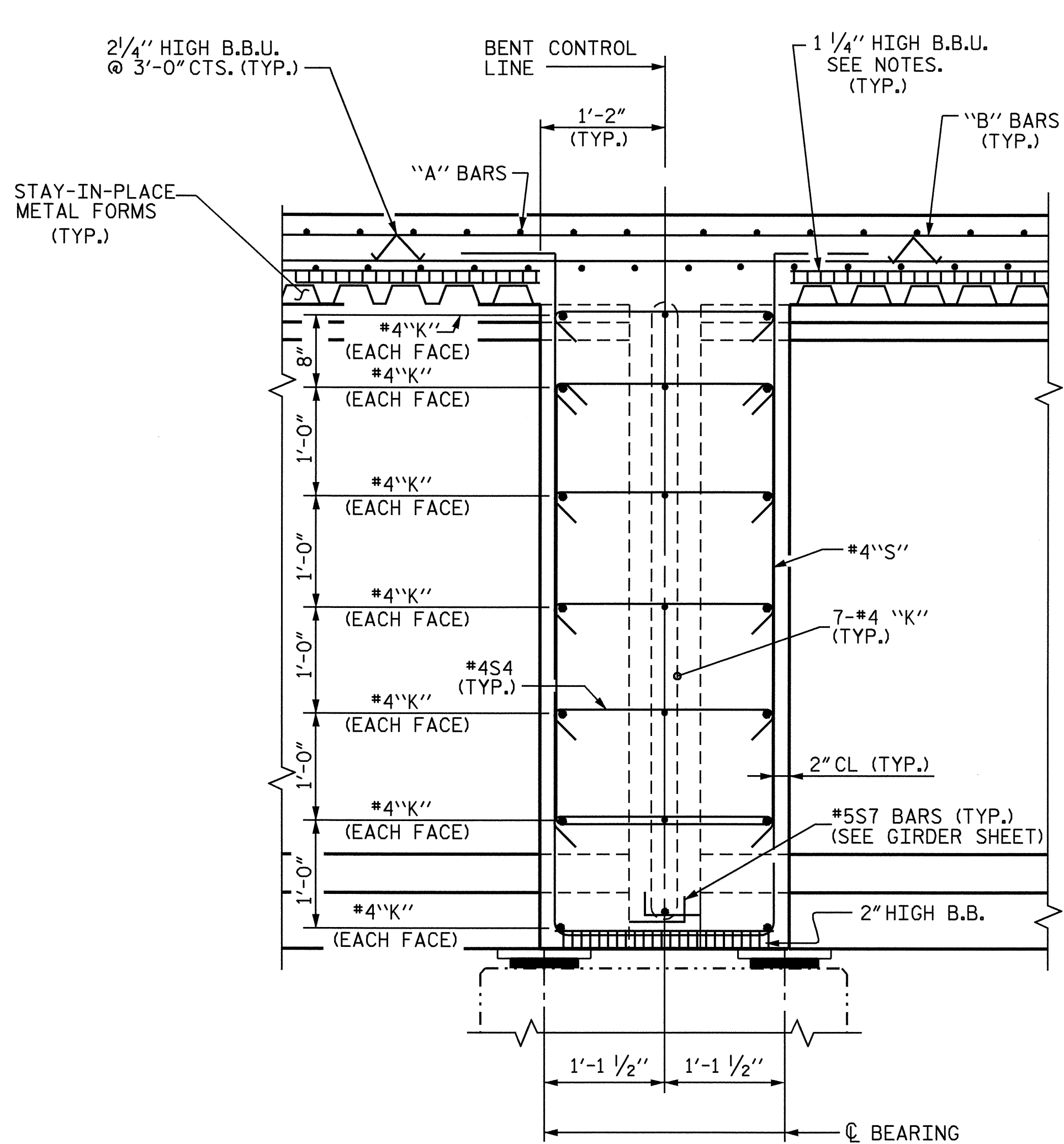
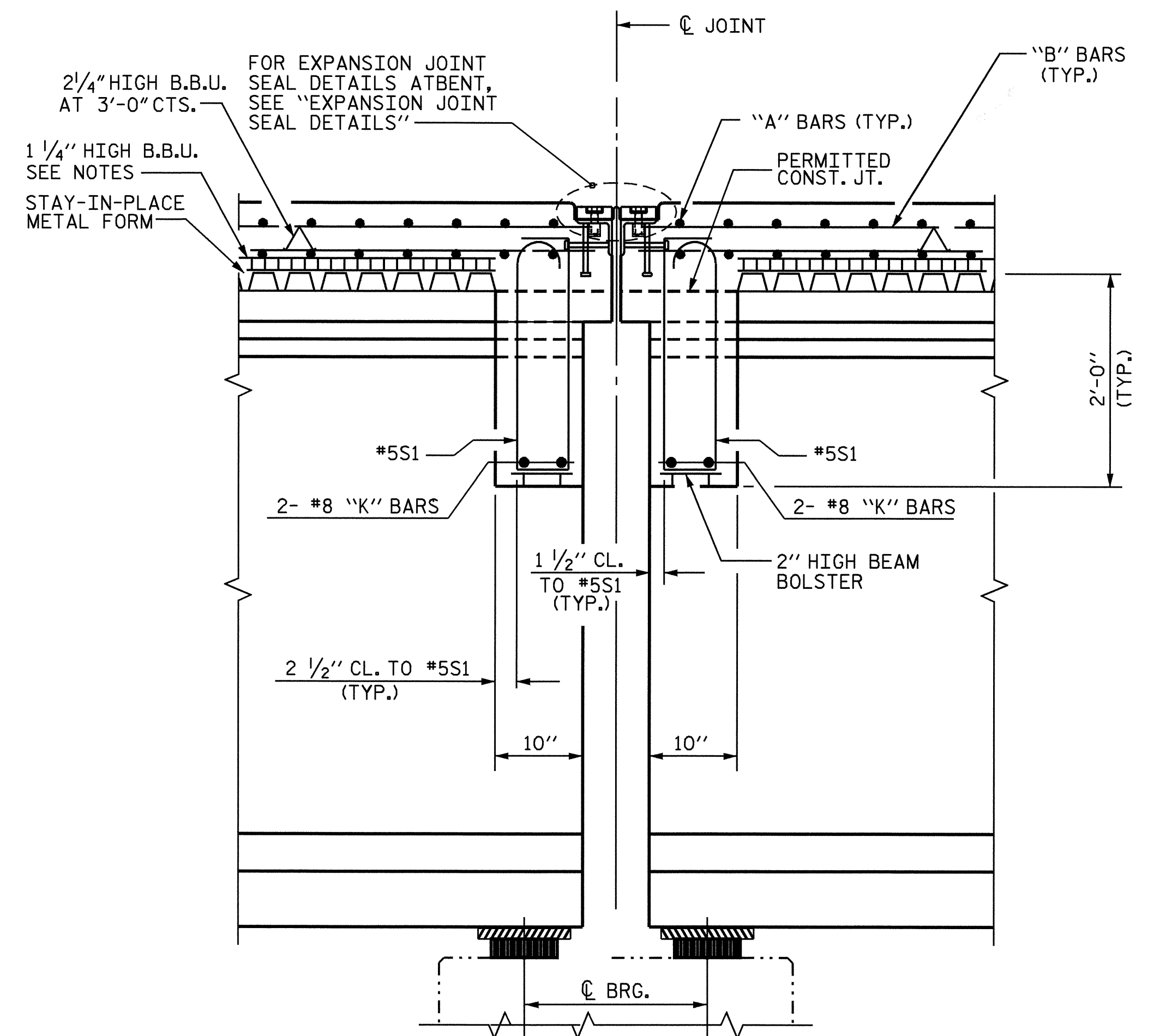


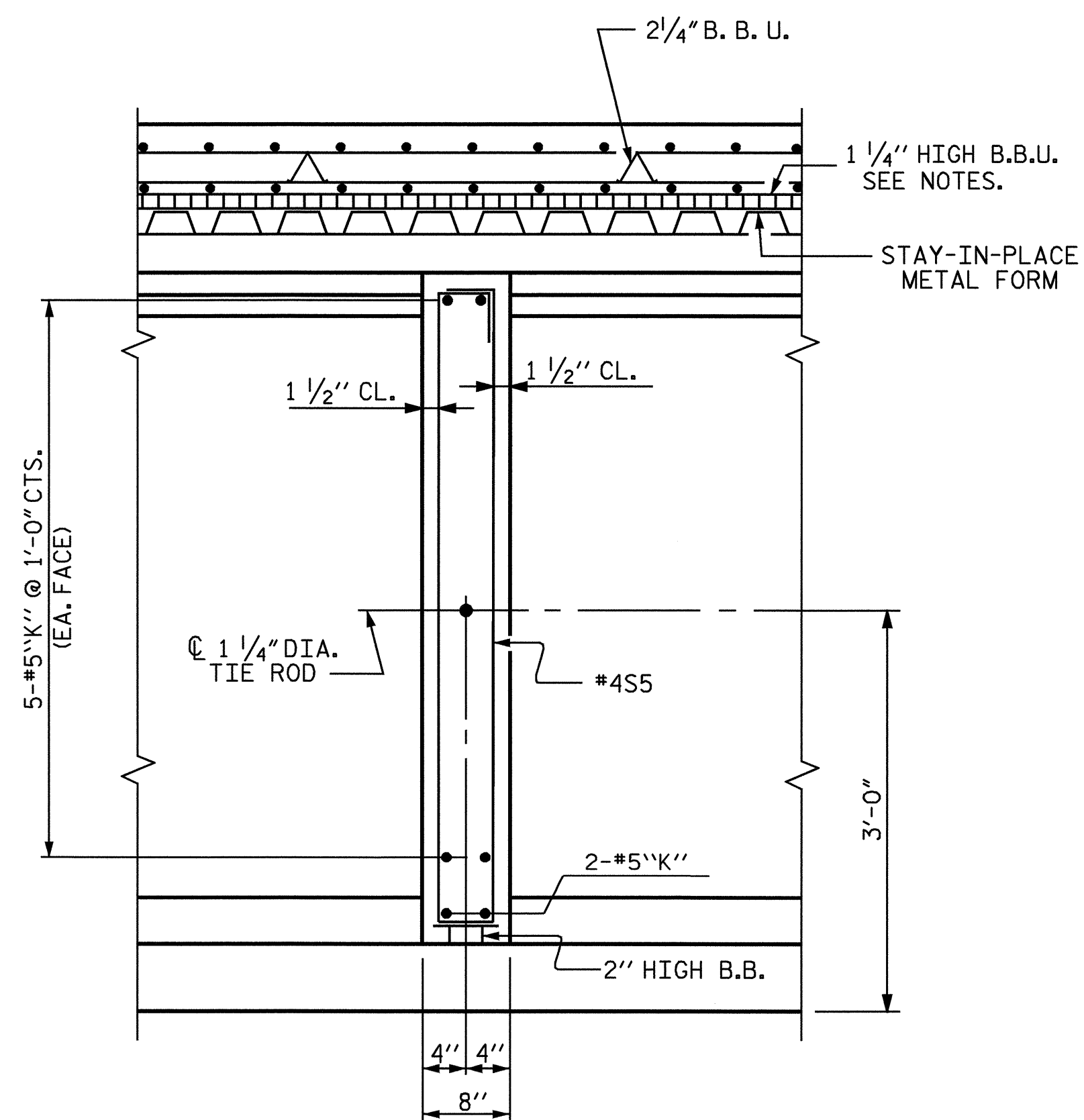
SECTION AT END BENTS



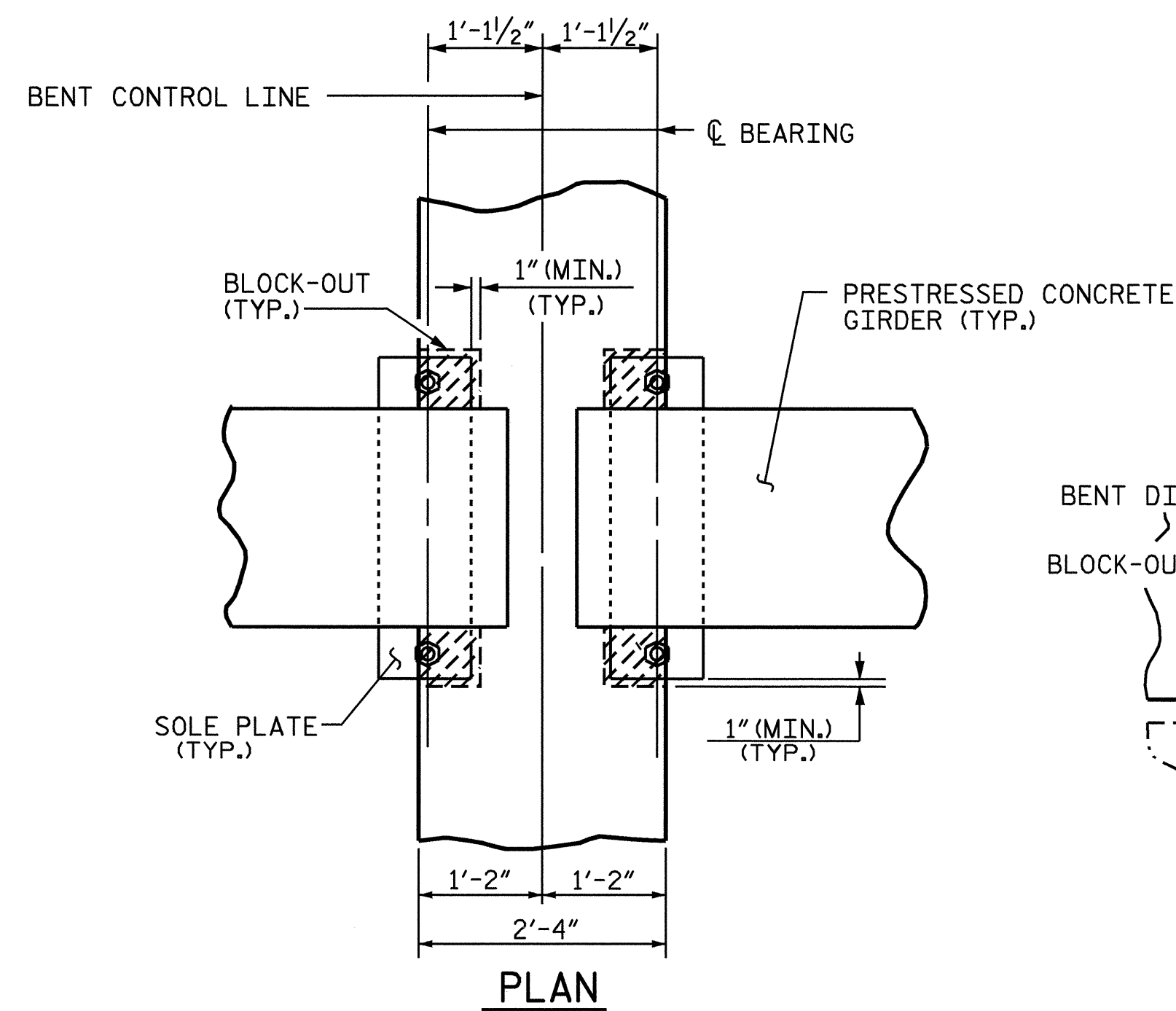
SECTION AT BENTS 1, 3, 4 & 6



SECTION AT BENTS 2 & 5

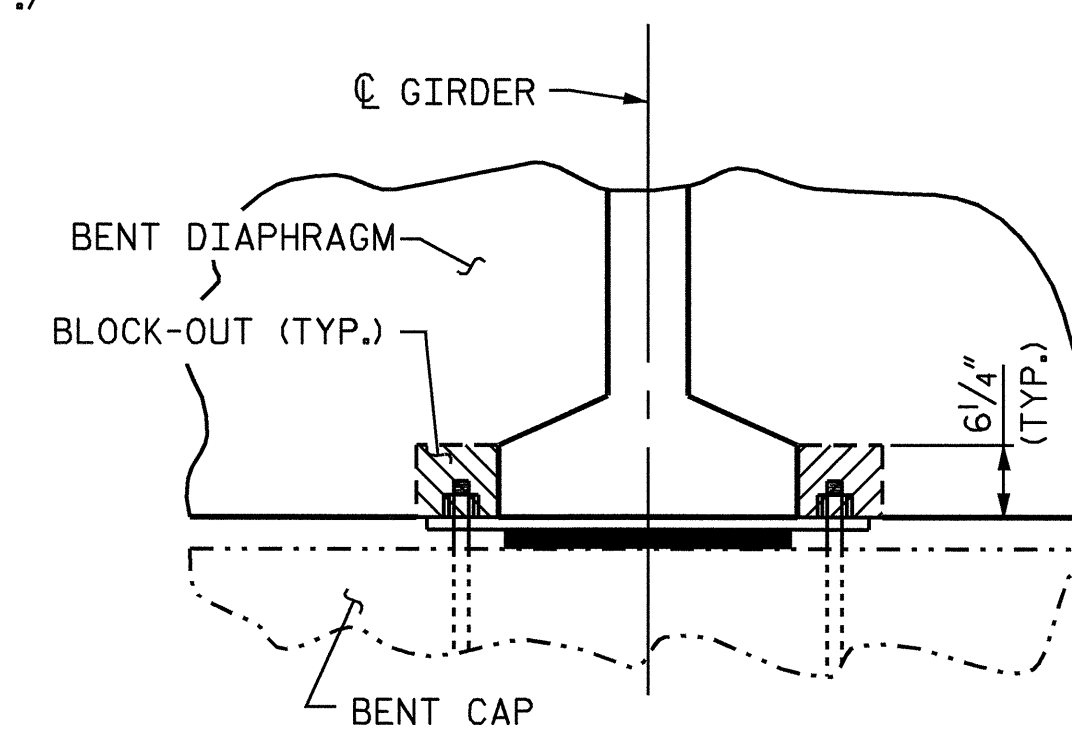


SECTION AT INTERMEDIATE DIAPHRAGM

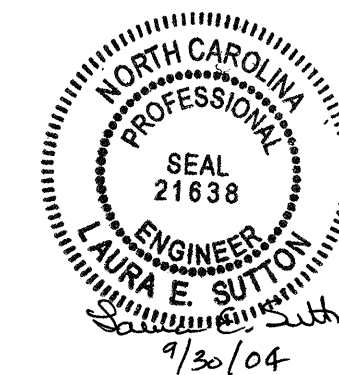


PLAN

BENT DIAPHRAGM BLOCK-OUT DETAIL



SECTION



PROJECT NO. I-4025A
YADKIN - SURRY COUNTY
 STATION: 28+95.00 -SBL-

SHEET 4 OF 4

STATE OF NORTH CAROLINA
 DEPARTMENT OF TRANSPORTATION
 RALEIGH

SUPERSTRUCTURE
 TYPICAL SECTION
 DETAILS

| REVISIONS | | | | | | SHEET NO. |
|-----------|-----|-------|-----|-----|-------|--------------|
| NO. | BY: | DATE: | NO. | BY: | DATE: | TOTAL SHEETS |
| 1 | | | 3 | | | 5-10 |
| 2 | | | 4 | | | 78 |

DRAWN BY : T.A. WALTER DATE : 5/17/04
 CHECKED BY : M.A. ALLEN DATE : 8/8/04