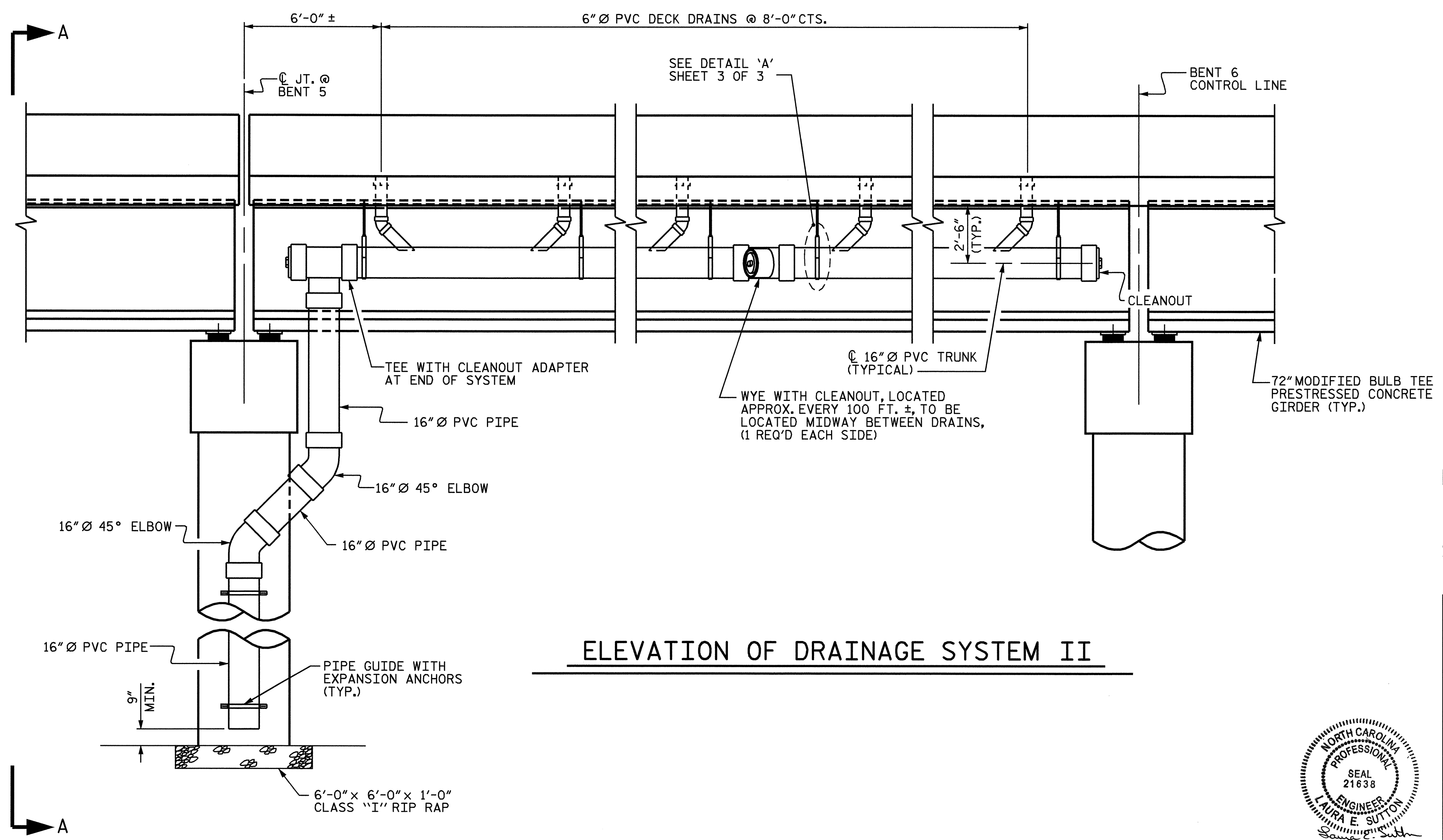
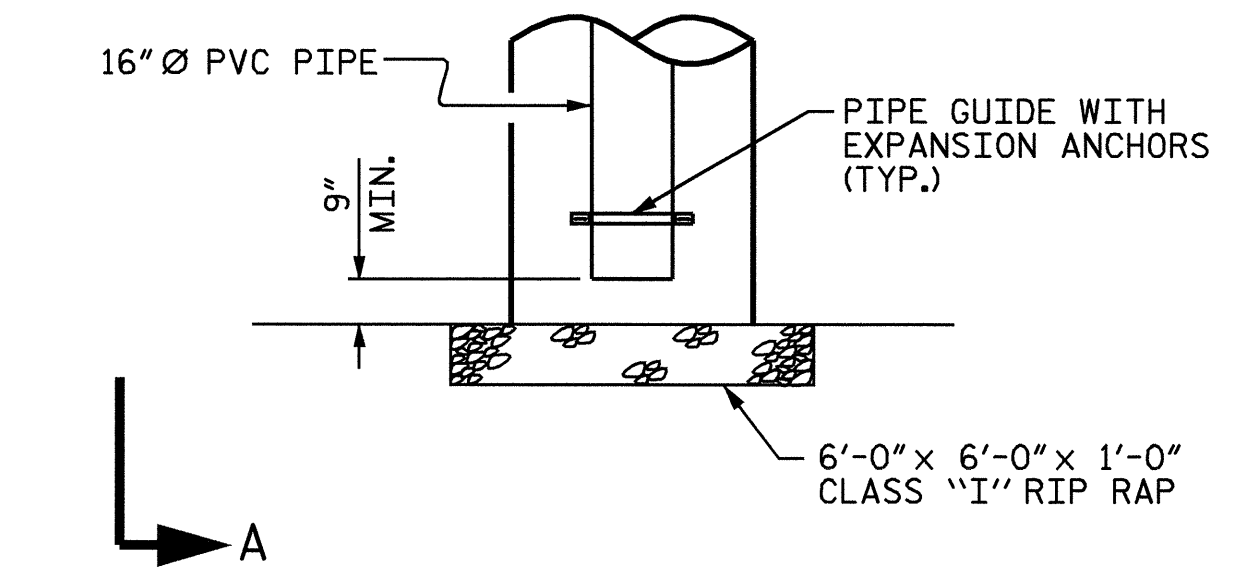


**ELEVATION OF DRAINAGE SYSTEM I**



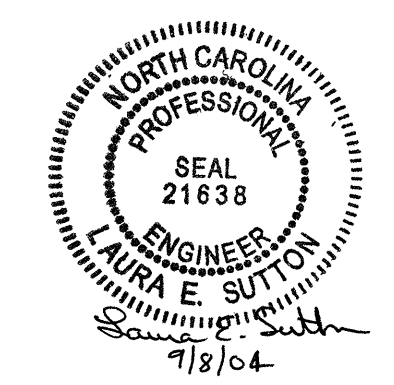
**ELEVATION OF DRAINAGE SYSTEM II**

PROJECT NO. I-4025A  
YADKIN - SURRY COUNTY  
 STATION: 28+95.00 -SBL-

SHEET 2 OF 3

STATE OF NORTH CAROLINA  
 DEPARTMENT OF TRANSPORTATION  
 RALEIGH

**SUPERSTRUCTURE  
 STRUCTURE  
 DRAINAGE SYSTEM**



REVISIONS						SHEET NO.
NO.	BY:	DATE:	NO.	BY:	DATE:	TOTAL SHEETS
1			3			5-20
2			4			78

DRAWN BY : T.A. WALTER DATE : 6/7/2004  
 CHECKED BY : M.A. ALLEN DATE : 8/4/2004

08-SEP-2004 14:40  
 w:\SquadL\14025a\tw\w\I4025A.SD.SDS.dgn  
 twalter