

DEBONDING LEGEND

- FULLY BONDED STRANDS
- ◻ STRANDS DEBONDED FOR 2'-0" FROM END OF GIRDER
- STRANDS DEBONDED FOR 4'-0" FROM END OF GIRDER
- ▲ OPTIONAL SLACK STRAND WITH APPLIED PRESTRESS OF 4500 LBS. PER STRAND

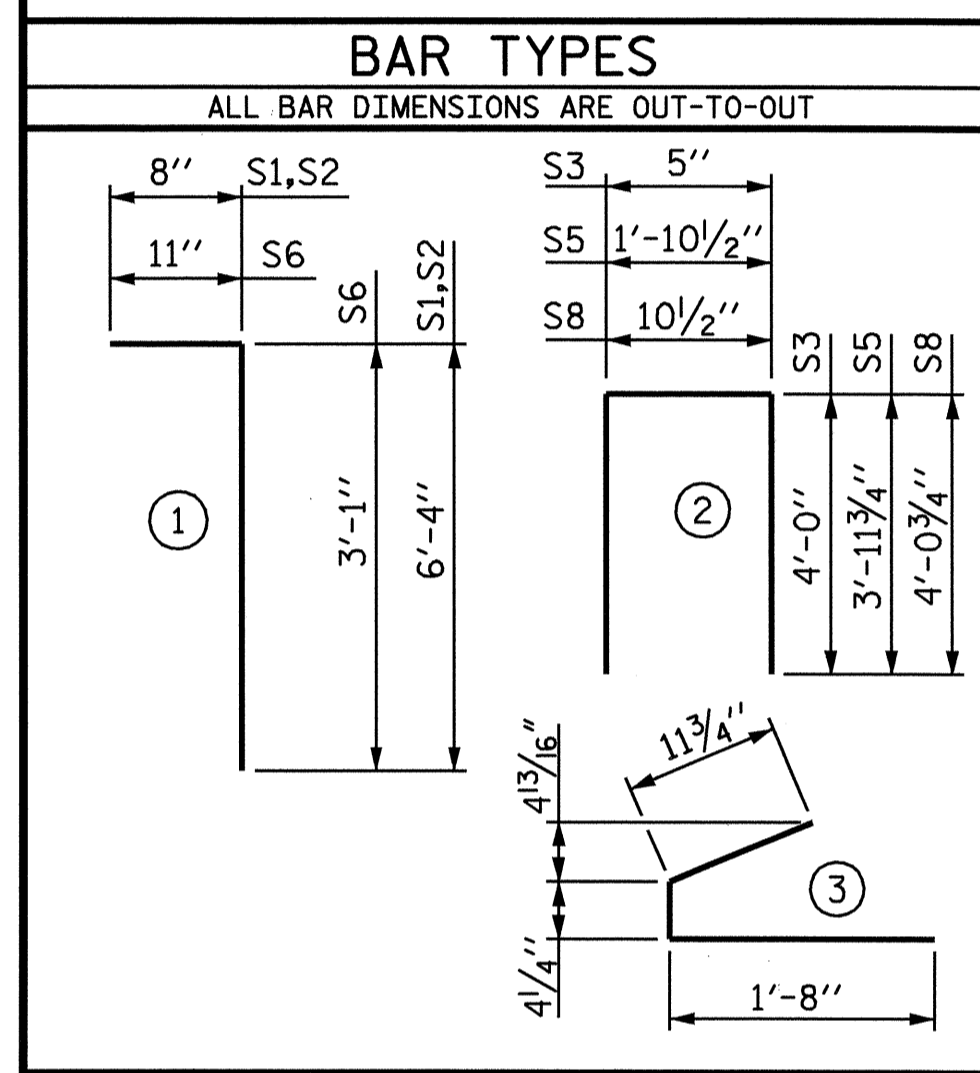
0.6" Ø L.R. GRADE 270 STRANDS

AREA (SQ. INCHES)	ULTIMATE STRENGTH (LBS. PER STRAND)	APPLIED PRESTRESS (LBS. PER STRAND)
0.217	58,600	43,950

REINFORCING STEEL FOR ONE GIRDER

BAR	NUMBER	SIZE	TYPE	LENGTH	WEIGHT
S1	136	#4	1	7'-0"	636
S2	24	#5	1	7'-0"	175
S3	14	#4	2	8'-5"	79
S4	84	#4	3	3'-0"	168
S5	1	#5	2	9'-10"	10
S6	160	#5	1	4'-0"	668
*S7	10	#5	STR	3'-8"	38
S8	2	#5	2	9'-0"	19
S9	37	#5	STR	3'-3"	125
S10	1	#3	STR	1'-10"	1

* NOTE: S7 BARS SHALL BE BENT BEFORE SHIPMENT. HEAT BENDING SHALL NOT BE ALLOWED.

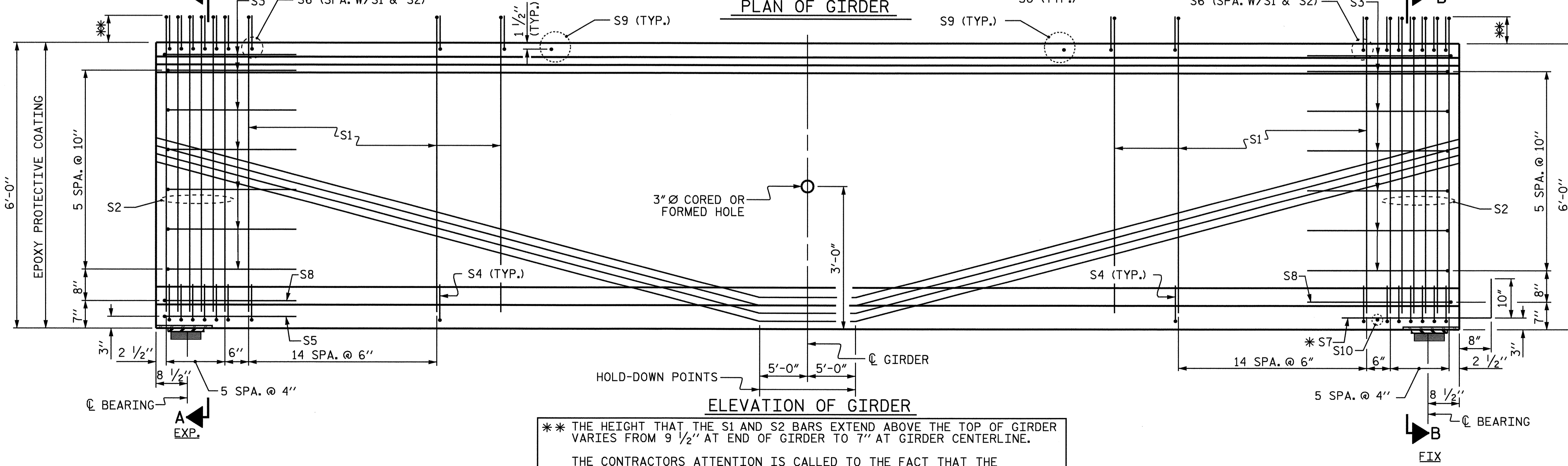
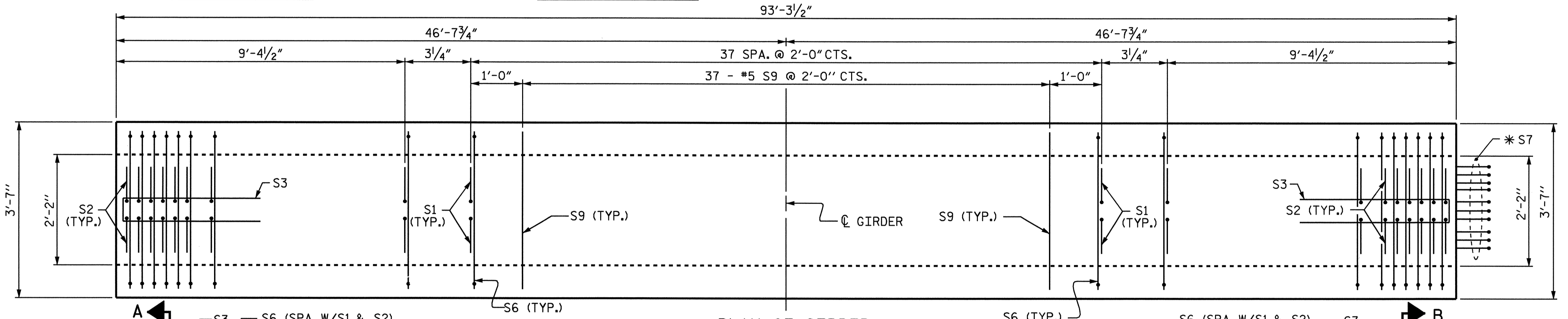


QUANTITIES FOR ONE GIRDER

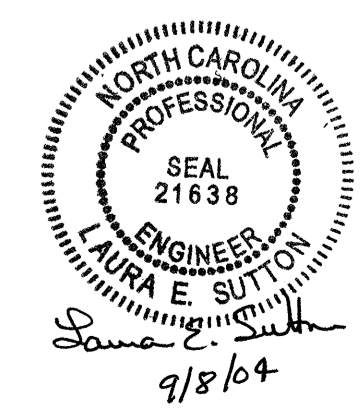
REINFORCING STEEL	7,000 PSI CONCRETE	0.6" Ø L.R. STRANDS
LB.	C.Y.	No.
1919	20.0	32

GIRDERS REQUIRED

NUMBER	LENGTH	TOTAL LENGTH
8	93'-3 1/2"	746'-4"



** THE HEIGHT THAT THE S1 AND S2 BARS EXTEND ABOVE THE TOP OF GIRDER VARIES FROM 9 1/2" AT END OF GIRDER TO 7" AT GIRDER CENTERLINE.
 THE CONTRACTORS ATTENTION IS CALLED TO THE FACT THAT THE CONCRETE STRENGTH REQUIRED IS 7000 PSI.
 THE UPLIFT FORCE DUE TO DRAPED STRANDS IS 27.8 KIPS.



PROJECT NO. I-4025A
YADKIN-SURRY COUNTY
 STATION: 28+95.00 -SBL-

STATE OF NORTH CAROLINA
 DEPARTMENT OF TRANSPORTATION
 RALEIGH

72" PRESTRESSED CONCRETE
 MODIFIED BULB TEE
 CONTINUOUS FOR LIVE LOAD

SPAN A
 STAGE I & STAGE II

REVISIONS

NO.	BY:	DATE:	NO.	BY:	DATE:
1			3		
2			4		

SHEET NO.
 5-23
 TOTAL SHEETS
 78

EDITED BY : T.A. WALTER
 CHECKED BY : M.A. ALLEN
 DATE : 5/11/04
 DATE : 7/9/04