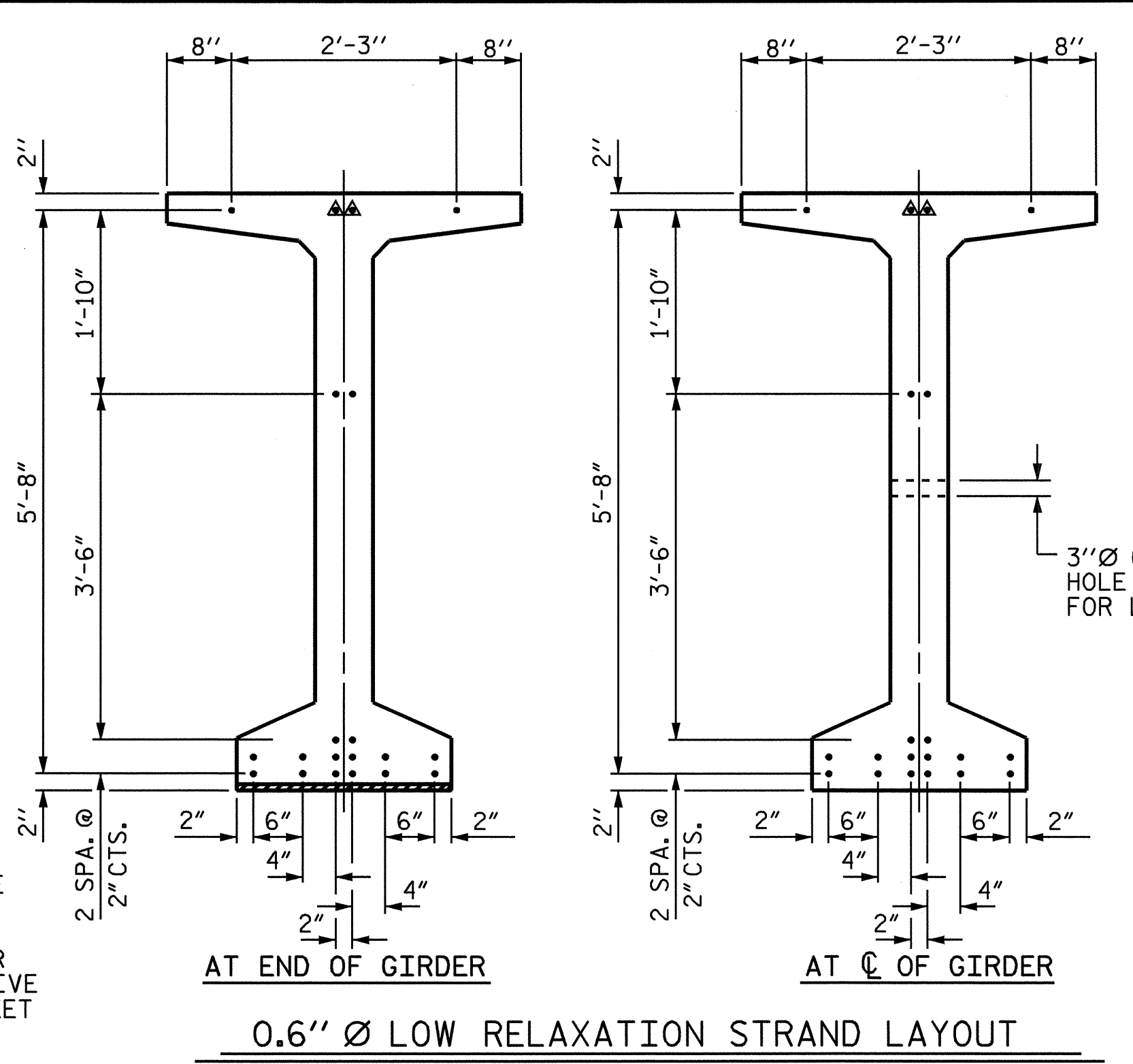
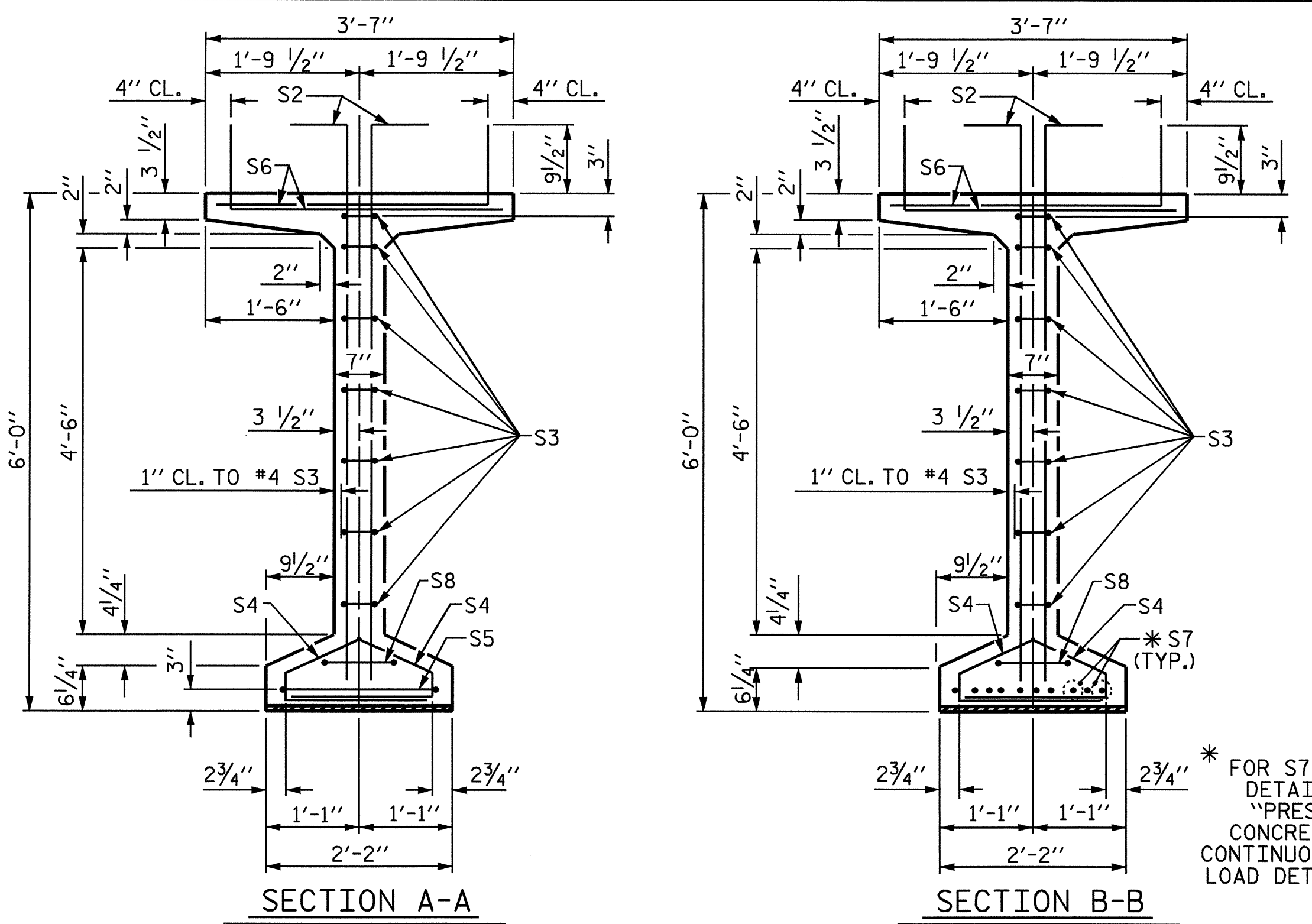


**DEBONDING LEGEND**

▲ OPTIONAL SLACK STRAND WITH APPLIED PRESTRESS OF 4500 LBS. PER STRAND

**0.6" Ø L.R. GRADE 270 STRANDS**

AREA (SQUARE INCHES)	ULTIMATE STRENGTH (LBS. PER STRAND)	APPLIED PRESTRESS (LBS. PER STRAND)
0.217	58,600	43,950

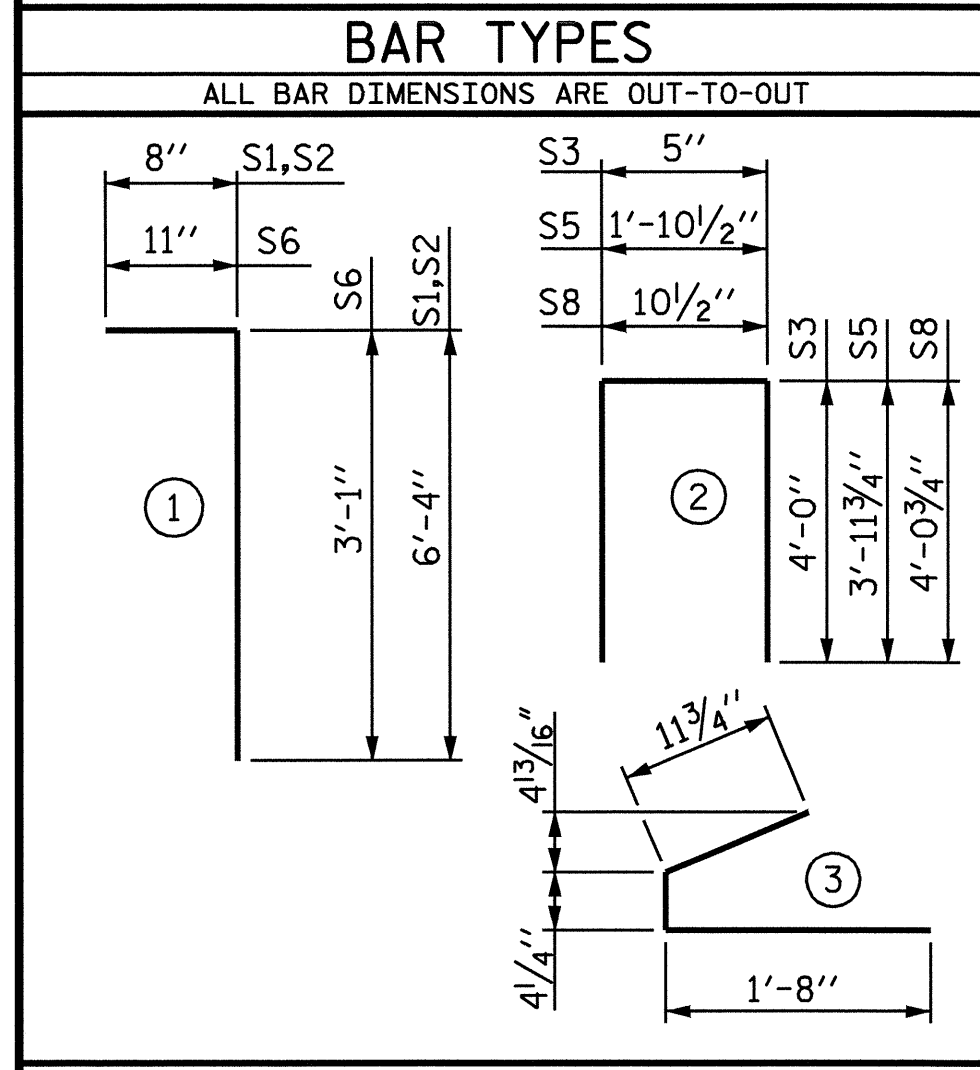


\* FOR S7 BARS, SEE DETAIL "C" OF "PRESTRESSED CONCRETE GIRDER CONTINUOUS FOR LIVE LOAD DETAILS" SHEET

**REINFORCING STEEL FOR ONE GIRDER**

BAR	NUMBER	SIZE	TYPE	LENGTH	WEIGHT
S1	108	#4	1	7'-0"	496
S2	24	#5	1	7'-0"	175
S3	14	#4	2	8'-5"	79
S4	84	#4	3	3'-0"	168
S5	1	#5	2	9'-10"	10
S6	130	#5	1	4'-0"	542
*S7	10	#5	STR	3'-8"	38
S8	2	#5	2	9'-0"	19
S9	16	#5	STR	3'-3"	54
S10	1	#3	STR	1'-10"	1

\* NOTE: S7 BARS SHALL BE BENT BEFORE SHIPMENT. HEAT BENDING SHALL NOT BE ALLOWED.

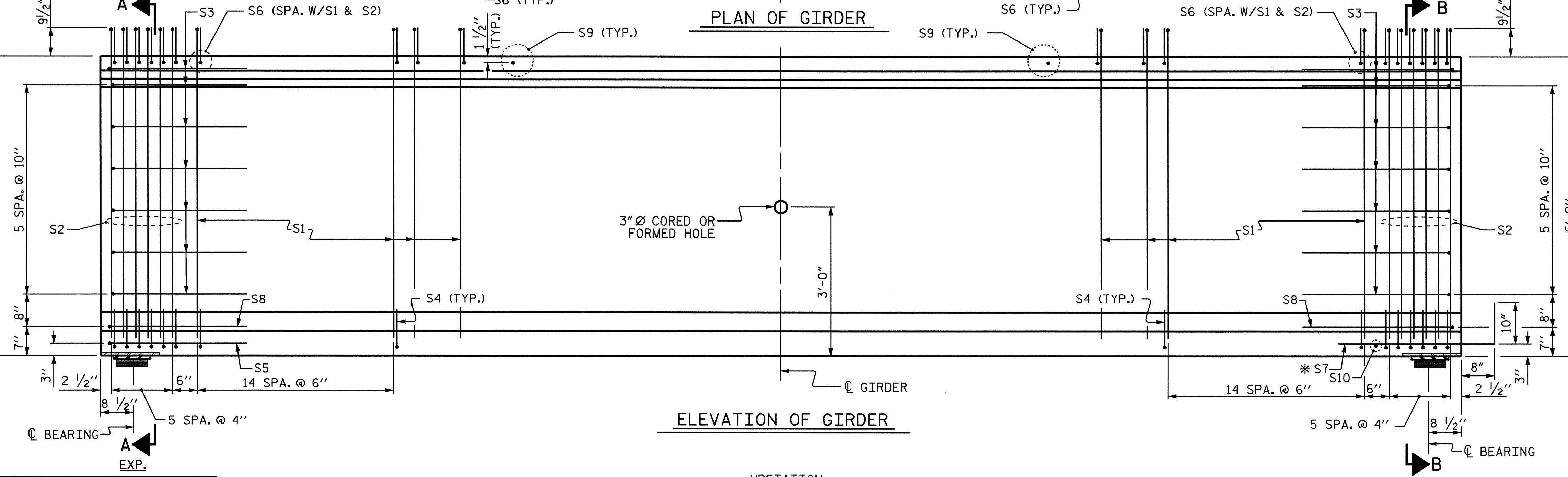
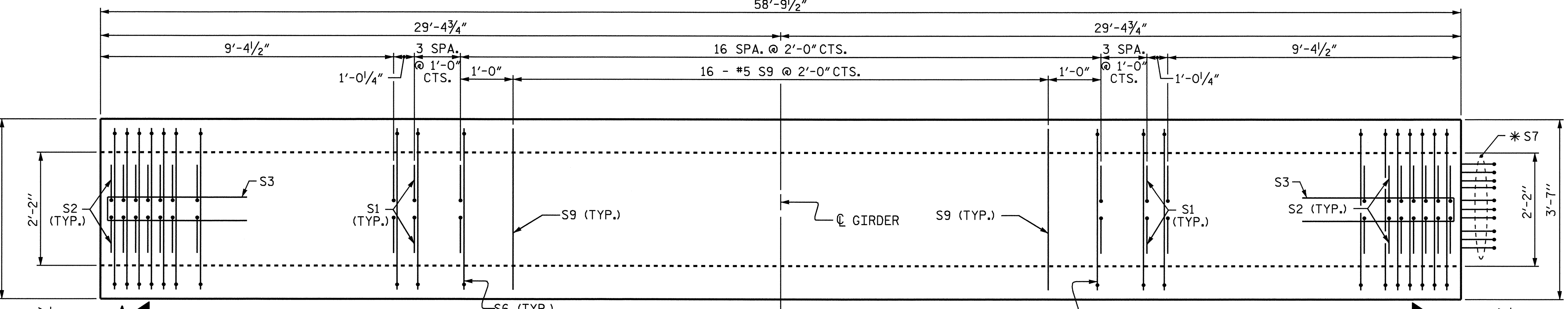


**QUANTITIES FOR ONE GIRDER**

REINFORCING STEEL	5,000 PSI CONCRETE	0.6" Ø L.R. STRANDS
LB.	C.Y.	No.
1582	12.6	18

**GIRDERS REQUIRED**

NUMBER	LENGTH	TOTAL LENGTH
9	58'-9 1/2"	529'-1 1/2"



PROJECT NO. I-4025A  
YADKIN-SURRY COUNTY  
 STATION: 28+95.00 -SBL-

STATE OF NORTH CAROLINA  
 DEPARTMENT OF TRANSPORTATION  
 RALEIGH

STANDARD  
 72" PRESTRESSED CONCRETE  
 MODIFIED BULB TEE  
 CONTINUOUS FOR LIVE LOAD

SPAN G  
 STAGE I & STAGE II

**REVISIONS**

NO.	BY:	DATE:	NO.	BY:	DATE:
1			3		
2			4		

SHEET NO. S-30  
 TOTAL SHEETS 70

ASSEMBLED BY : T.A. WALTER DATE : 5/12/04  
 CHECKED BY : M.A. ALLEN DATE : 8/6/04  
 DRAWN BY : EEM 2/6/97 REV. 7/17/98 RWW/LES  
 CHECKED BY : VAP 2/6/97 REV. 8/16/99 RWW/LES  
 REV. 10/17/00 REV. 10/17/00 RWW/LES