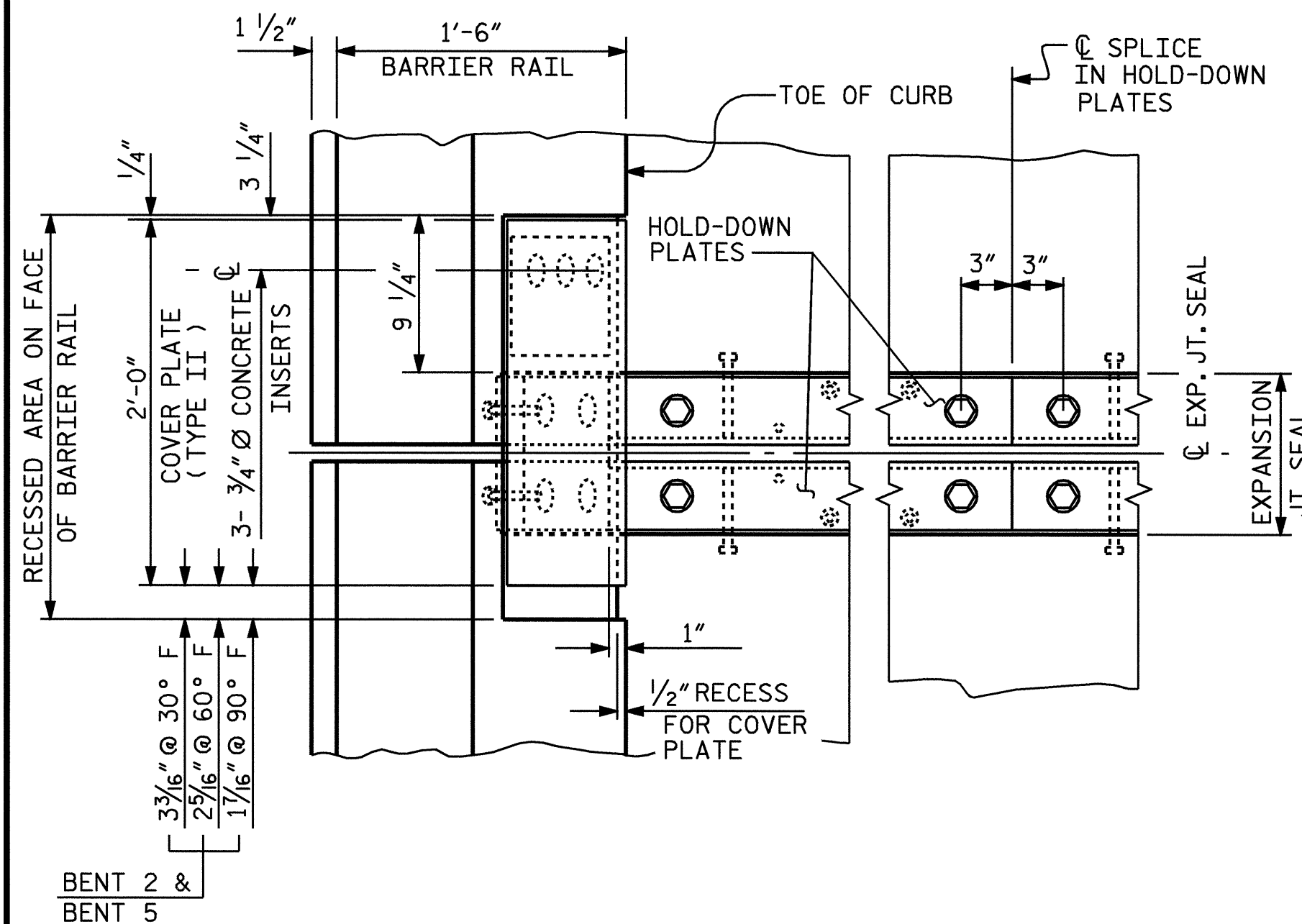
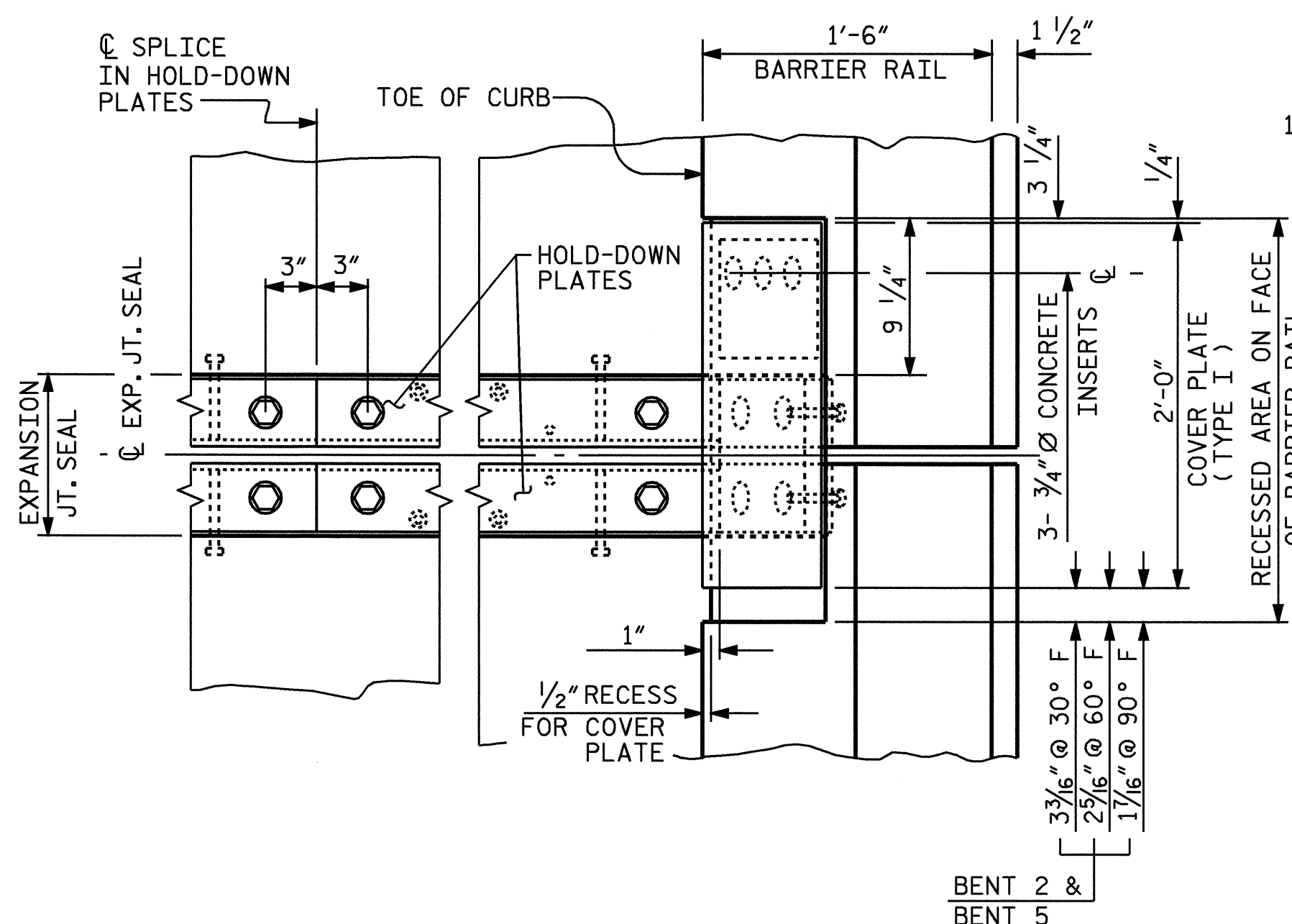


SECTION THRU RAIL NORMAL TO JOINT



PLAN OF EXPANSION JOINT SEAL

LEFT SIDE

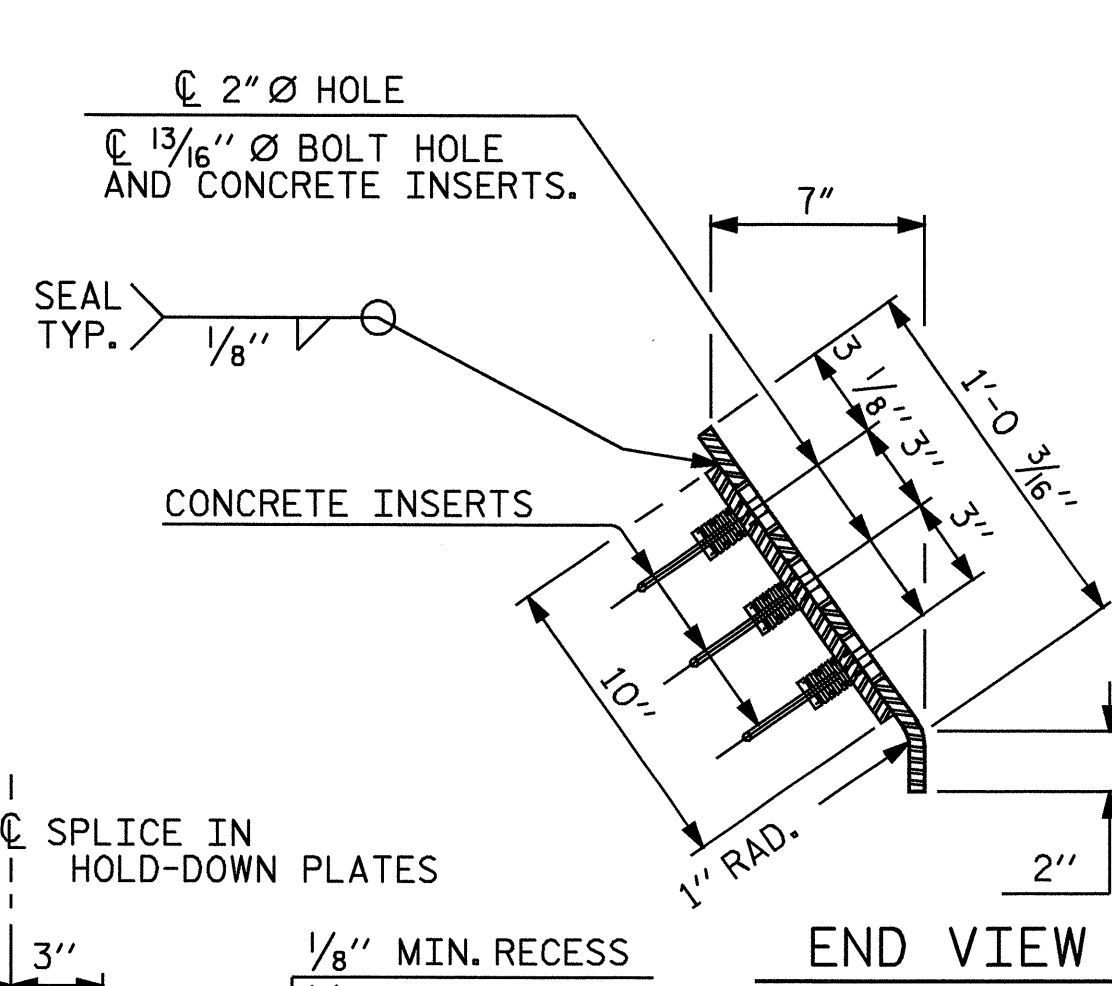


PLAN OF EXPANSION JOINT SEAL

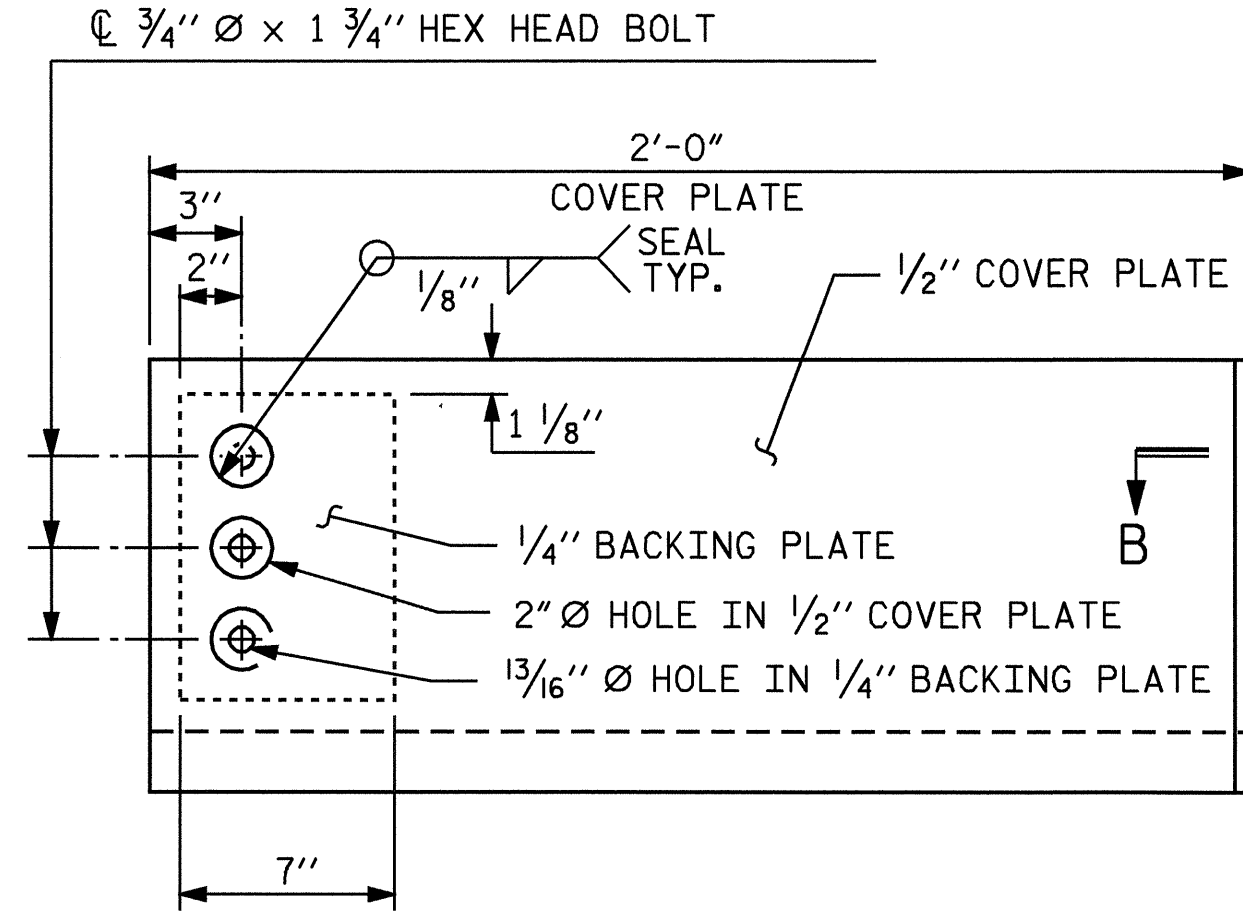
RIGHT SIDE

MODIFIED BY : T.A. WALTER	DATE : 4/22/04
CHECKED BY : M.A. ALLEN	DATE : 7/12/04
DRAWN BY : REK 9/87	REV. 6/16/95 EEM/RGW
CHECKED BY : CRK 10/87	REV. 7/17/98 RWW/LES
	REV. 10/17/00 RWW/LES

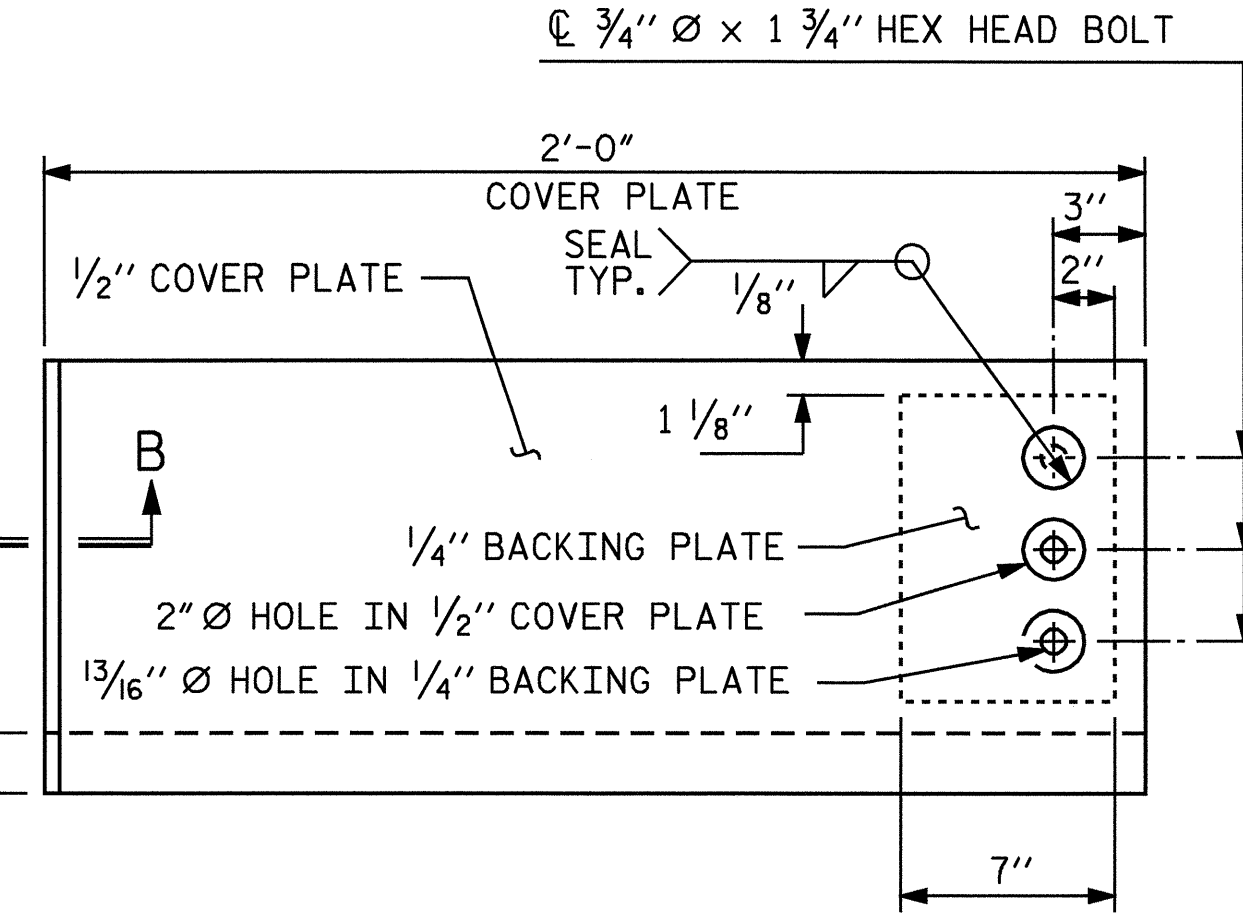
08-SEP-2004 14:40
w:\SquadL\14025a\twalter\I4025A_SD_JTS.dgn
twalter



END VIEW

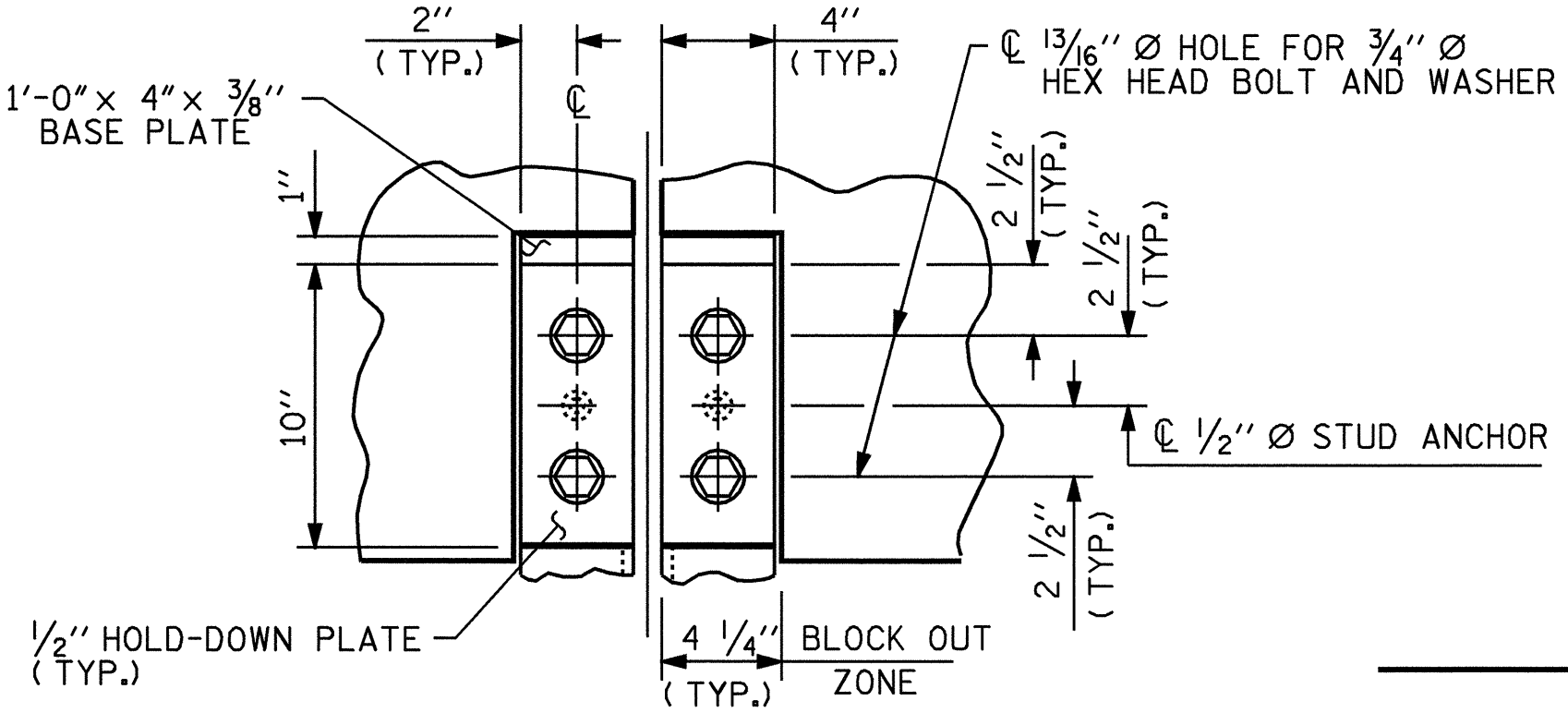


TYPE I - ELEVATION VIEW

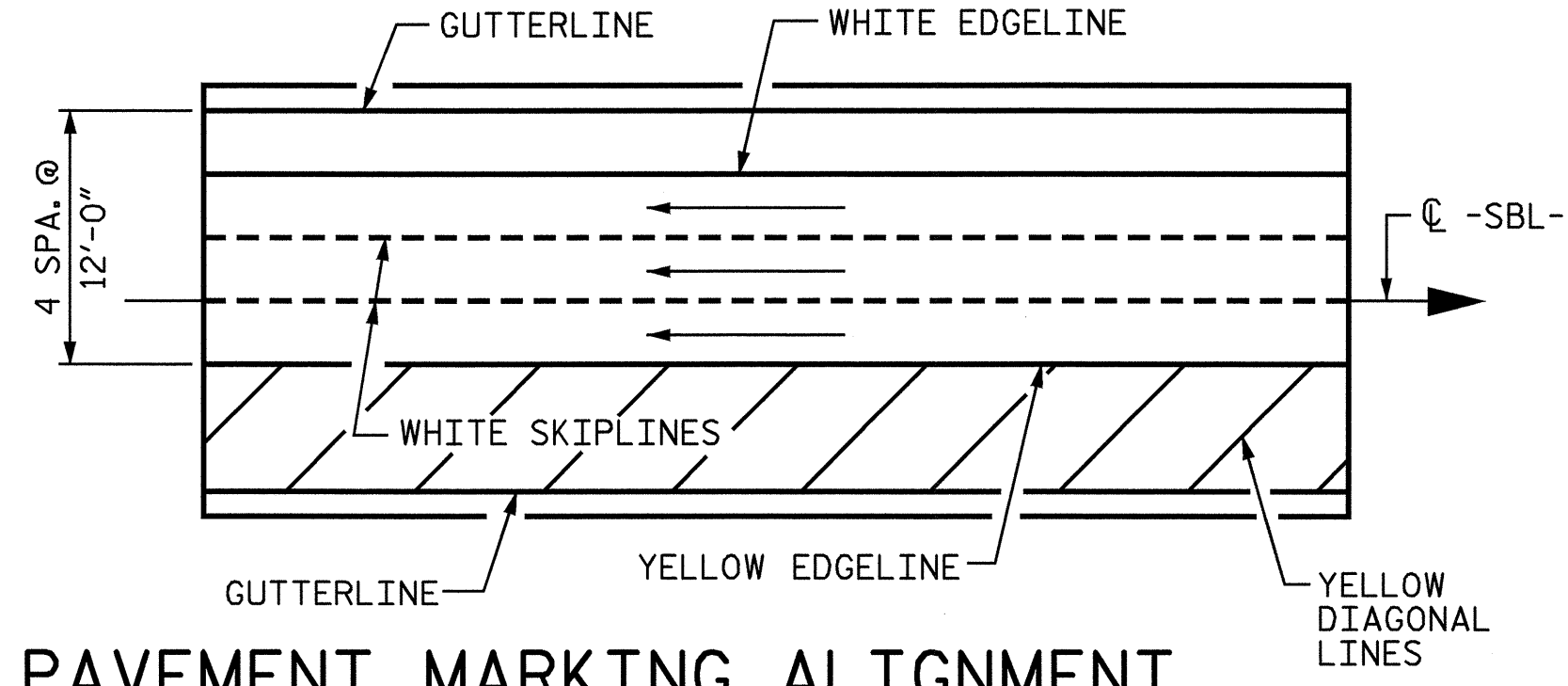


TYPE II - ELEVATION VIEW

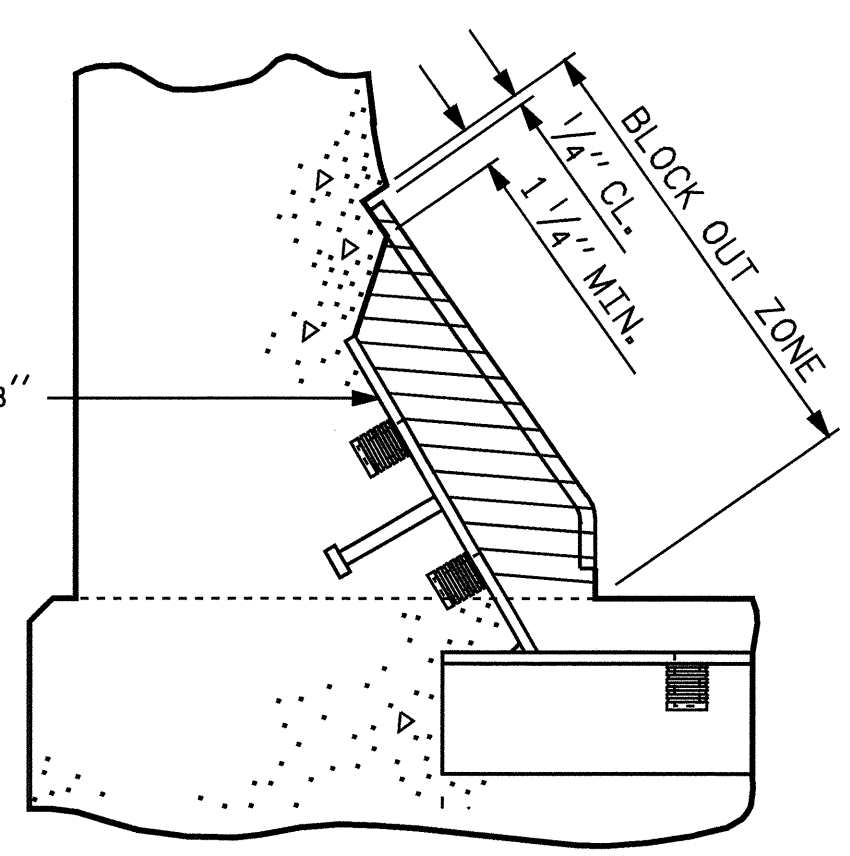
COVER PLATE DETAILS



SECTION A - A

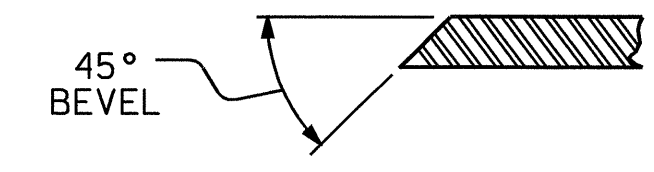


PAVEMENT MARKING ALIGNMENT

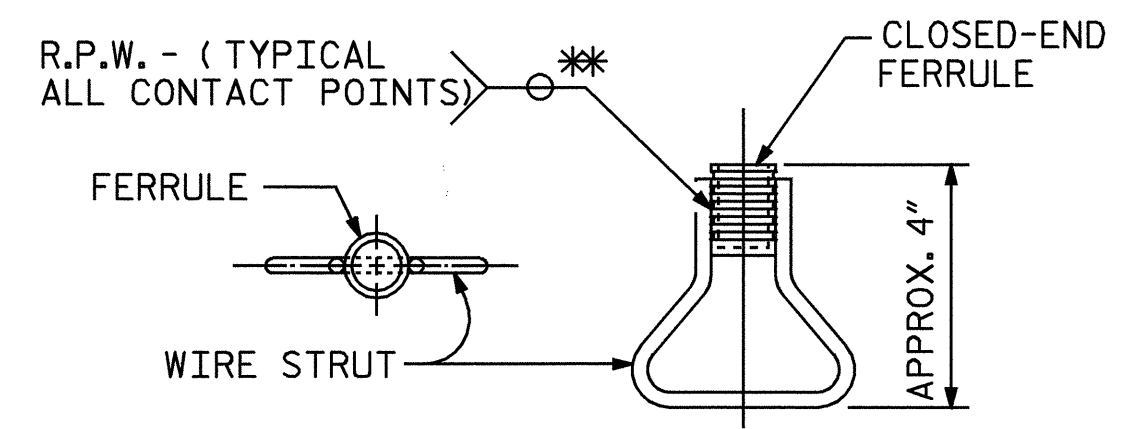


BLOCK OUT DETAIL

SEE "SECTION A - A" FOR OTHER DETAILS.



SECTION B - B



CONCRETE INSERT

* EACH WELDED ATTACHMENT OF WIRE TO FERRULE SHALL DEVELOP THE TENSILE STRENGTH OF THE WIRE.

PROJECT NO. I-4025 A
YADKIN - SURRY COUNTY
STATION: 28+95.00 -SBL-

SHEET 2 OF 2

STATE OF NORTH CAROLINA
DEPARTMENT OF TRANSPORTATION
RALEIGH

EXPANSION JOINT SEAL DETAILS FOR BARRIER RAIL



REVISIONS						SHEET NO.
NO.	BY:	DATE:	NO.	BY:	DATE:	
1			3			5-37
2			4			TOTAL SHEETS 78