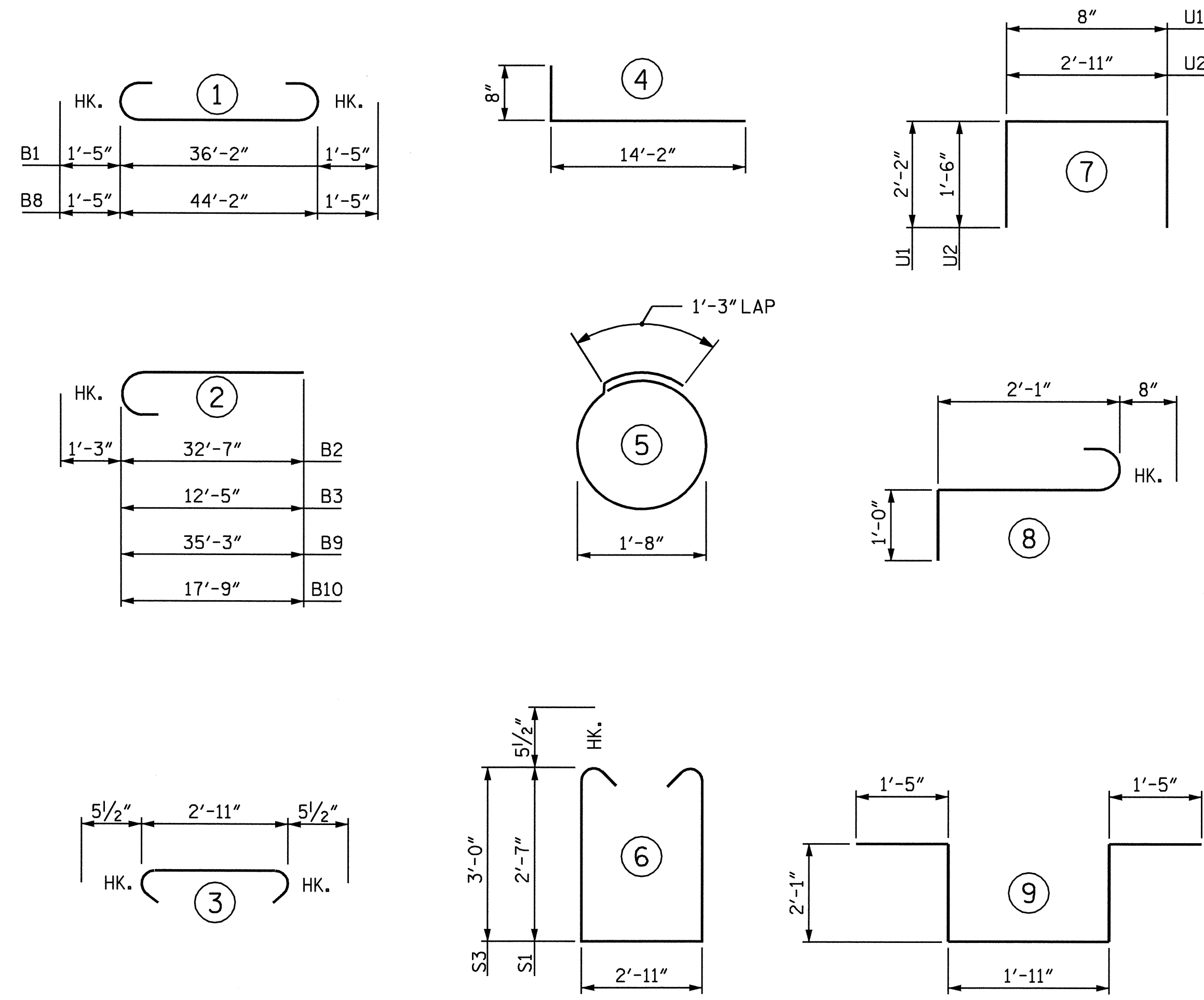


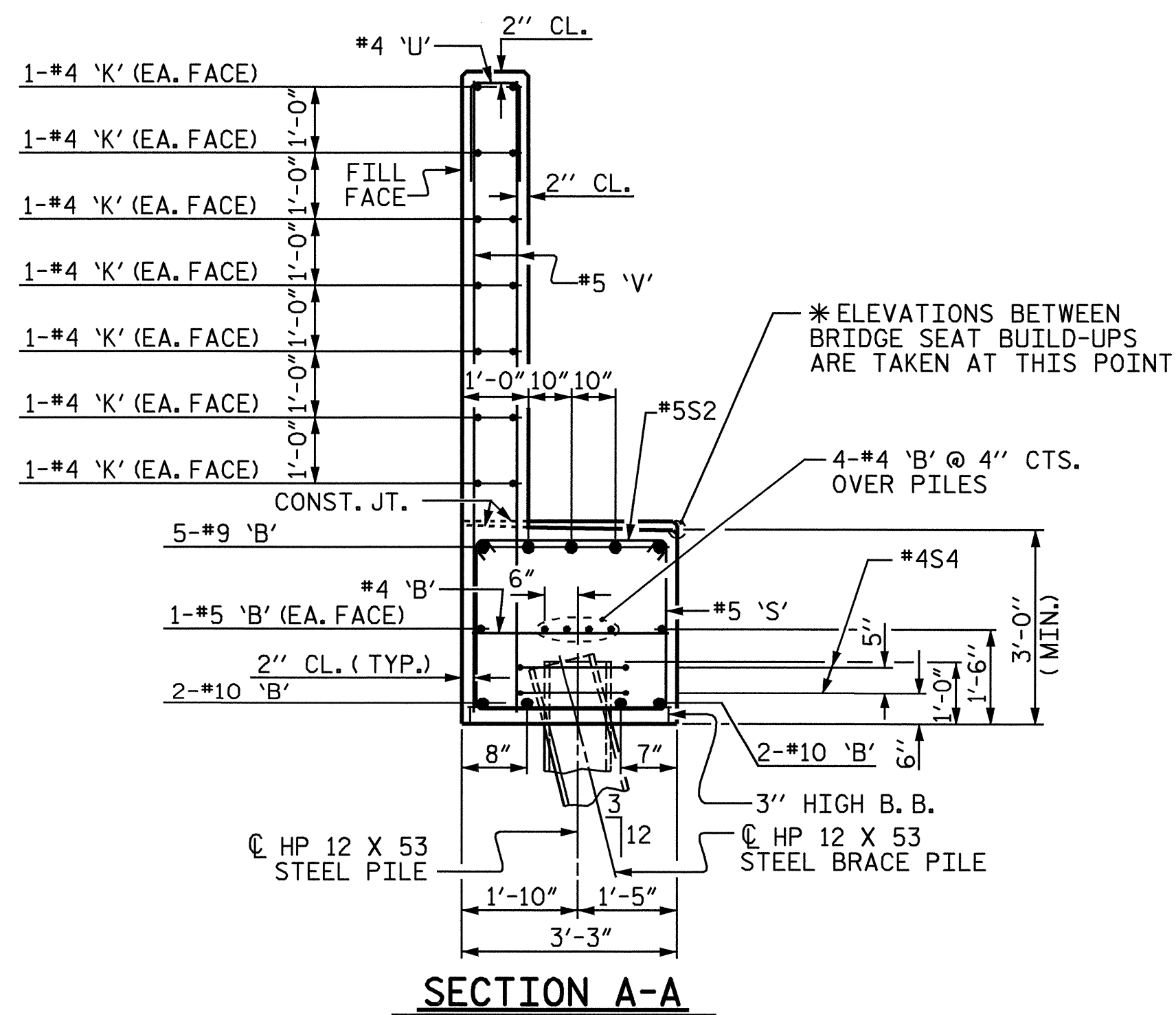
BAR TYPES



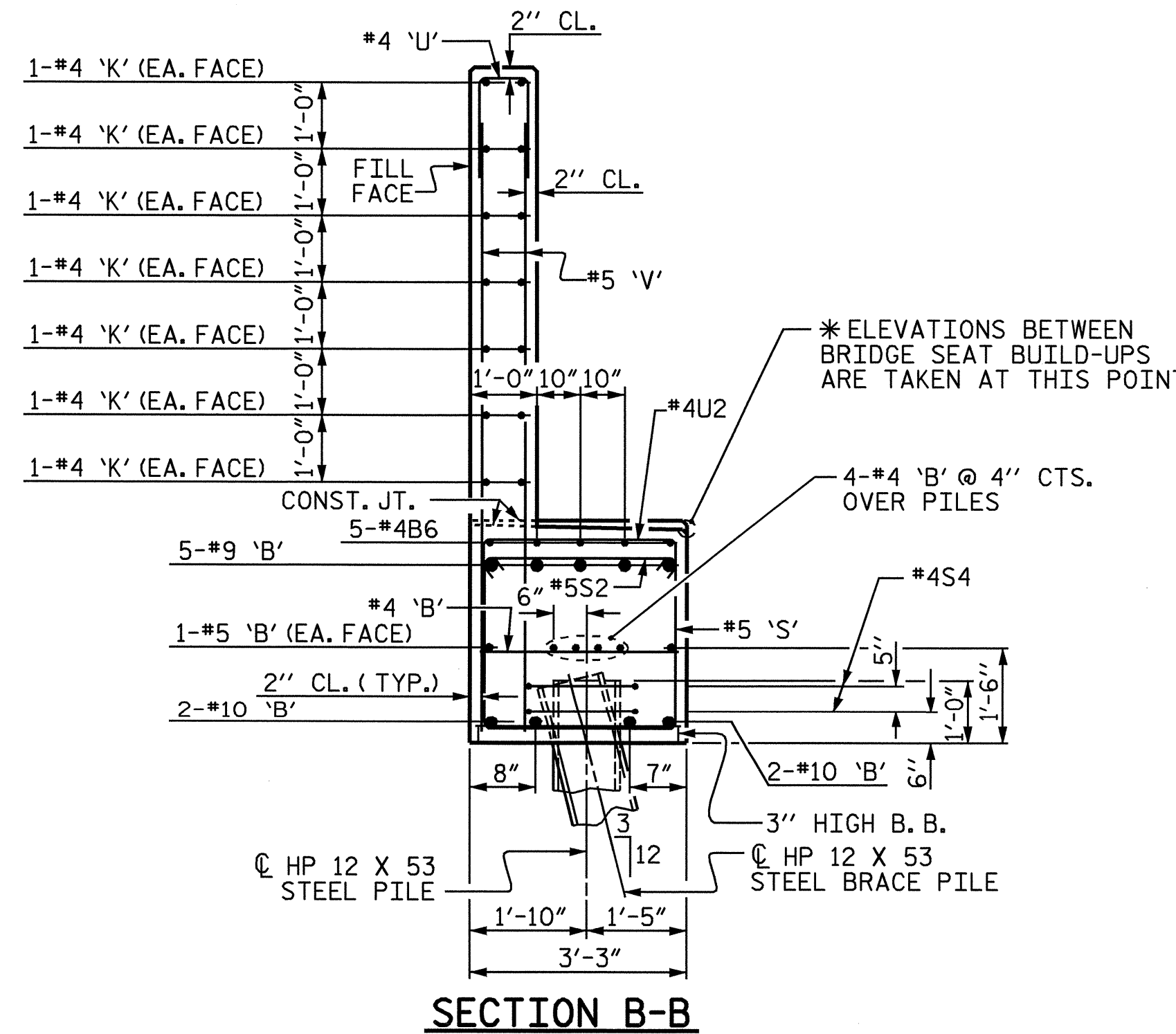
ALL BAR DIMENSIONS ARE OUT TO OUT.

BILL OF MATERIAL

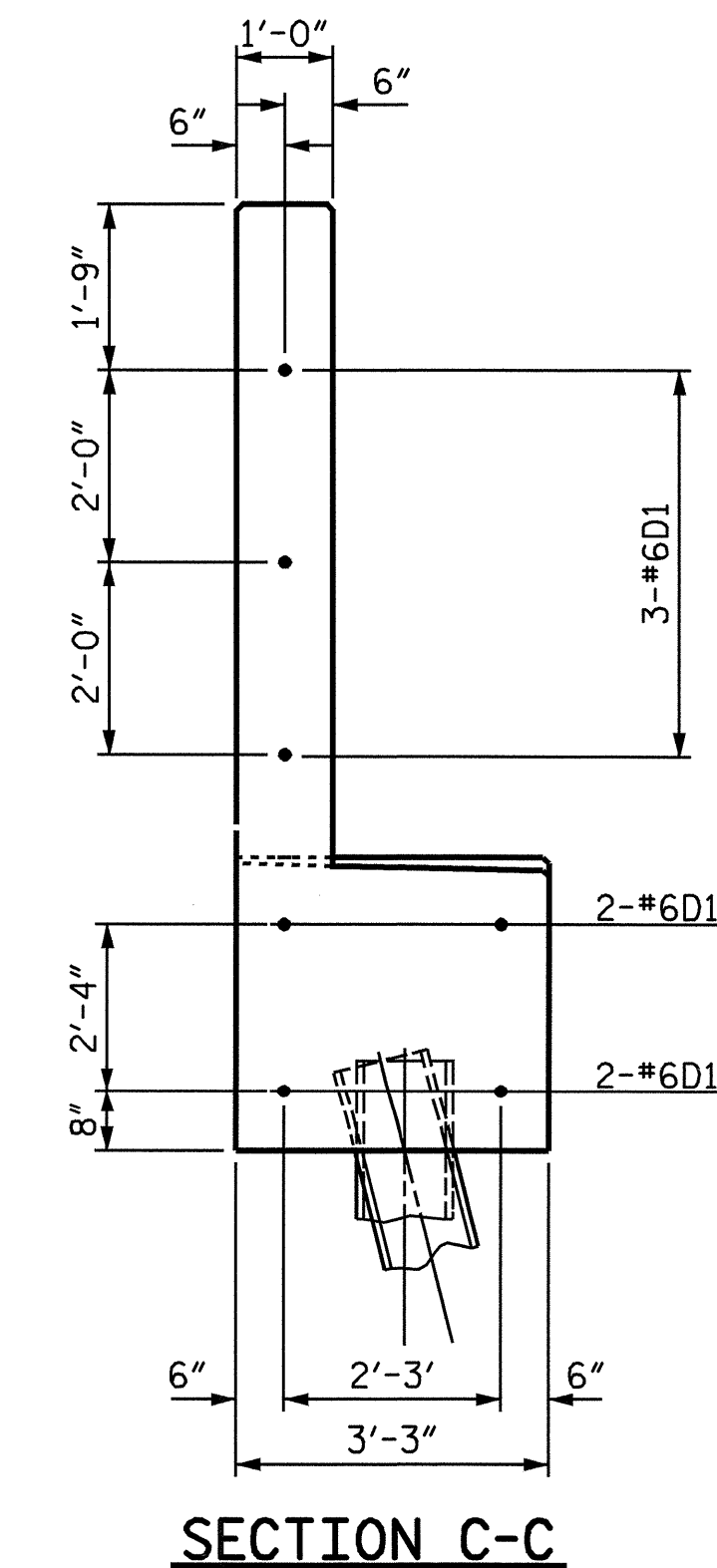
STAGE I					STAGE II						
BAR	NO.	SIZE	TYPE	LENGTH	WEIGHT	BAR	NO.	SIZE	TYPE	LENGTH	WEIGHT
B1	4	#10	1	39'-0"	671	B6	10	#4	STR	3'-4"	22
B2	5	#9	2	33'-10"	575	B7	13	#4	STR	2'-11"	25
B3	5	#9	2	13'-8"	232	B8	4	#10	1	47'-0"	809
B4	2	#5	STR	36'-3"	76	B9	5	#9	2	36'-6"	621
B5	8	#4	STR	19'-5"	104	B10	5	#9	2	19'-9"	336
B6	10	#4	STR	3'-4"	22	B11	2	#5	STR	44'-3"	92
B7	11	#4	STR	2'-11"	21	B12	8	#4	STR	23'-5"	125
H2	2	#4	STR	2'-7"	3	D1	7	#6	STR	4'-6"	47
K1	28	#4	STR	19'-5"	363	H1	24	#4	4	14'-10"	238
S1	24	#5	6	9'-0"	225	H2	2	#4	STR	2'-7"	3
S2	37	#5	3	3'-10"	148	K2	28	#4	STR	23'-5"	438
S3	13	#5	6	9'-10"	133	S1	27	#5	6	9'-0"	253
S4	16	#4	5	6'-6"	69	S2	44	#5	3	3'-10"	176
U1	34	#4	7	5'-0"	114	S3	17	#5	6	9'-10"	174
U2	8	#4	7	5'-11"	32	S4	18	#4	5	6'-6"	78
V1	68	#5	STR	9'-1"	644	S5	3	#6	8	3'-9"	17
V2	8	#5	STR	10'-7"	88	S6	1	#6	9	8'-11"	13
						U1	42	#4	7	5'-0"	140
						U2	8	#4	7	5'-11"	32
						V1	84	#5	STR	9'-1"	796
						V3	36	#4	STR	10'-3"	246
REINFORCING STEEL					LBS 3520	REINFORCING STEEL					LBS 4681
CLASS A CONCRETE						CLASS A CONCRETE					
POUR #1: (CAP)					C.Y. 14.3	POUR #1: (CAP & WING)					C.Y. 19.5
POUR #2: (BACKWALL)					C.Y. 8.7	POUR #2: (BACKWALL & WING)					C.Y. 14.7
CLASS A CONCRETE TOTAL					C.Y. 23.0	CLASS A CONCRETE TOTAL					C.Y. 34.2
HP 12x53 STEEL PILES						HP 12x53 STEEL PILES					
NO. 8					LIN. FT. 400	NO. 10					LIN. FT. 500



SECTION A-A



SECTION B-B



SECTION C-C

PROJECT NO. I-4025A
YADKIN-SURRY COUNTY
 STATION: 28+95.00 -SBL-

SHEET 4 OF 4

STATE OF NORTH CAROLINA
 DEPARTMENT OF TRANSPORTATION
 RALEIGH

**SUBSTRUCTURE
 END BENT 1**



DRAWN BY: T.A. WALTER DATE: 6/22/2004
 CHECKED BY: B.N. BARODAWALA DATE: 6/29/2004

REVISIONS				SHEET NO.
NO.	BY:	DATE:	NO.	DATE:
1			3	
2			4	

TOTAL SHEETS: 72