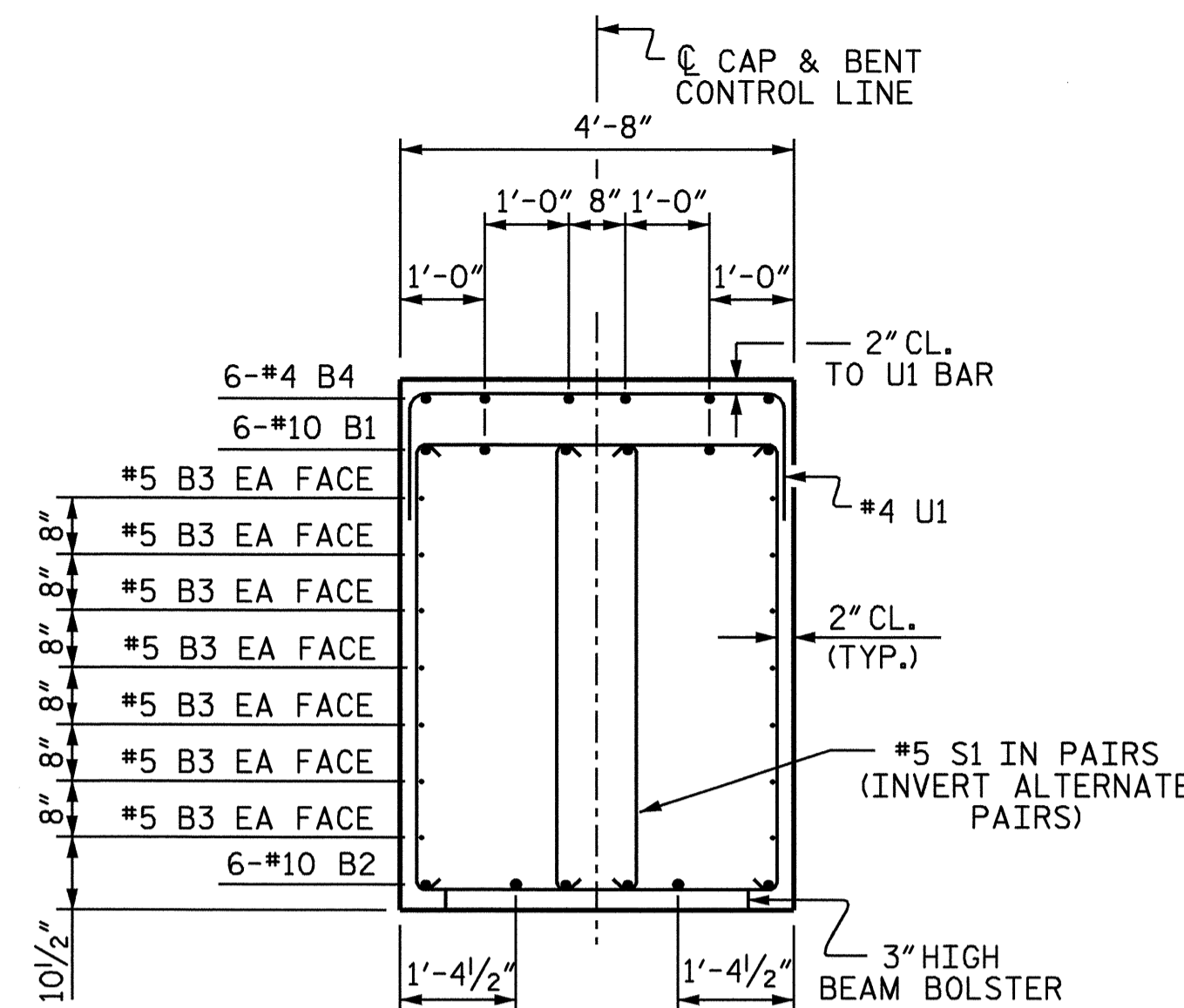
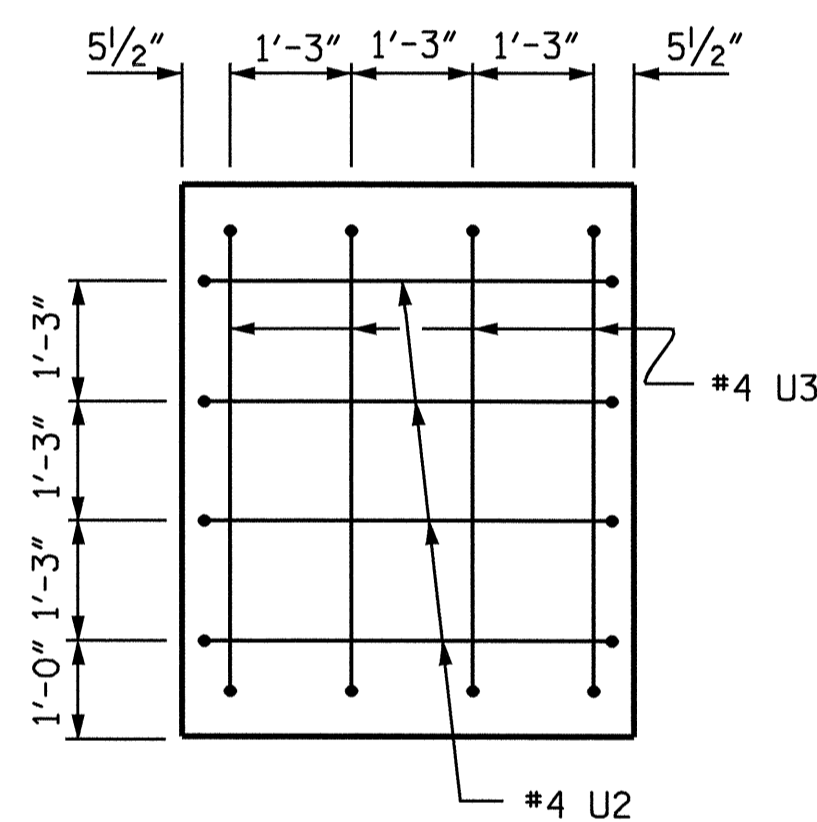


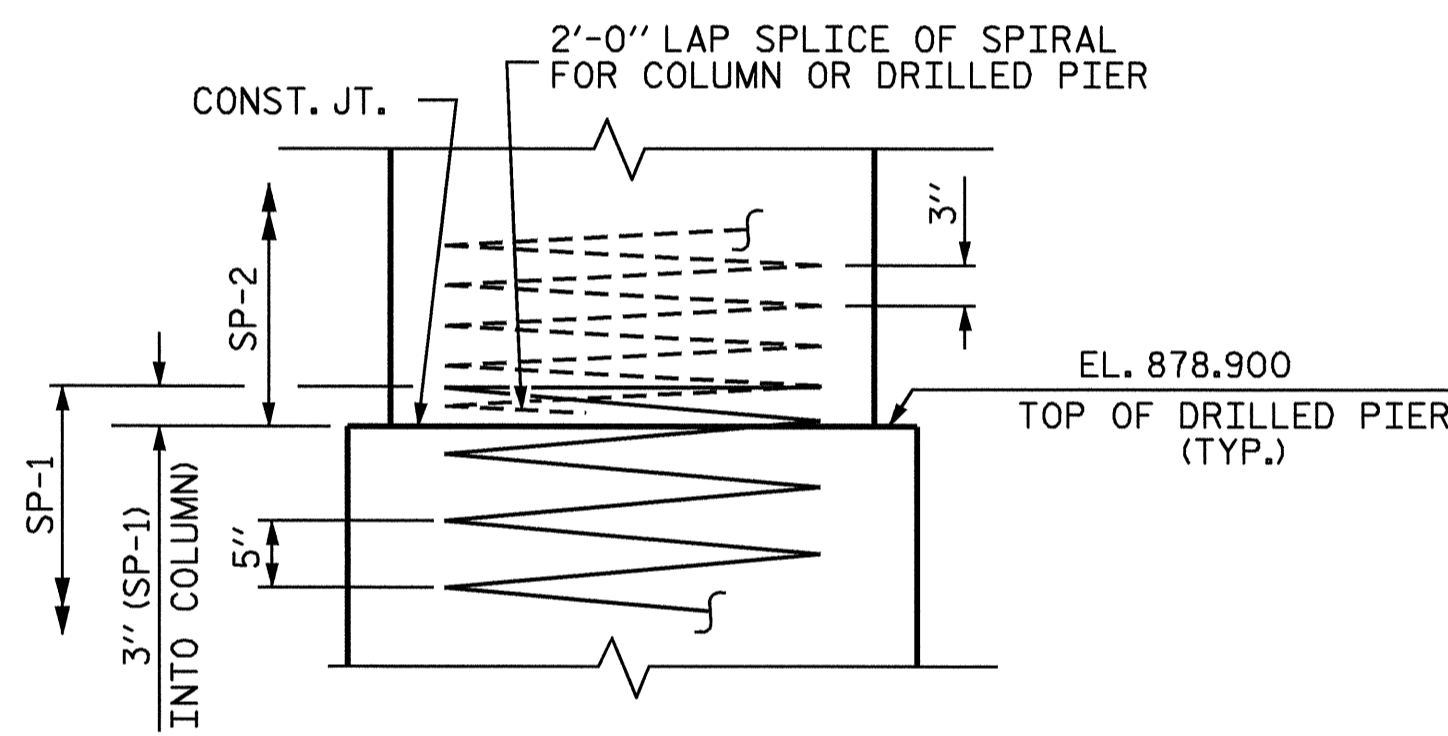
SECTION A-A



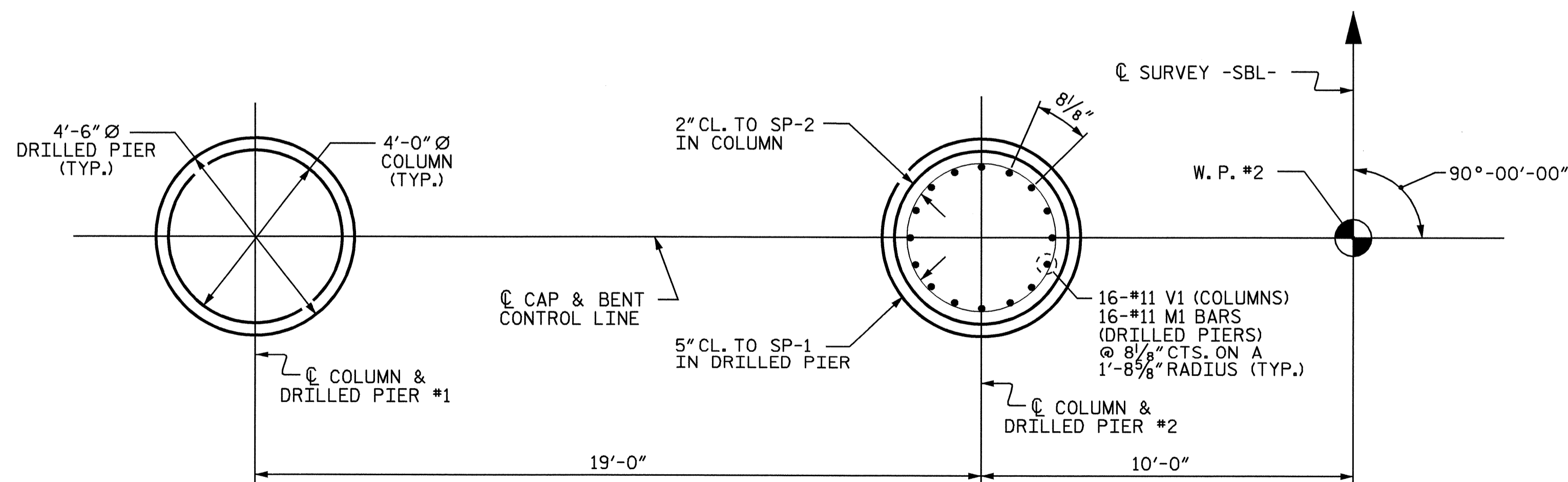
SECTION B-B



LEFT END VIEW



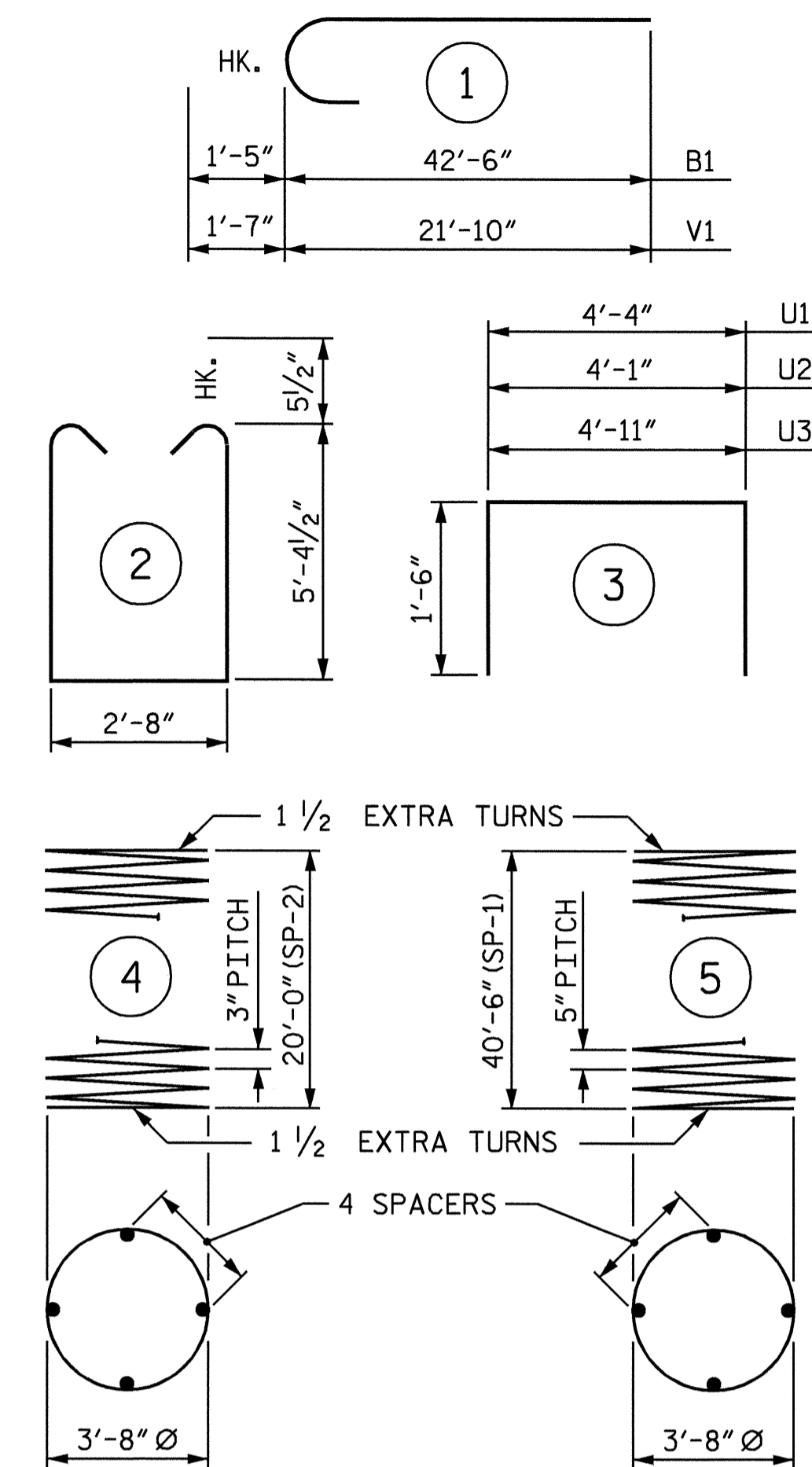
CONSTRUCTION JOINT DETAIL



PLAN OF COLUMNS AND DRILLED PIERS

DIMENSIONS AND REINFORCING STEEL SHOWN ARE TYPICAL FOR EACH DRILLED PIER

BAR TYPES



ALL BAR DIMENSIONS ARE OUT TO OUT.

** THE SP-1 SPIRAL REINFORCING STEEL SHALL BE W31 OR D-31 COLD DRAWN WIRE OR #5 PLAIN OR DEFORMED BAR.

*** THE SP-2 SPIRAL REINFORCING STEEL SHALL BE W20 OR D-20 COLD DRAWN WIRE OR #4 PLAIN OR DEFORMED BAR.

BILL OF MATERIAL

BENT 1 STAGE I

BAR	NO.	SIZE	TYPE	LENGTH	WEIGHT
B1	6	#10	1	43'-11"	1134
B2	6	#10	STR	39'-5"	1018
B3	14	#5	STR	34'-6"	504
B4	6	#4	STR	16'-3"	65
M1	32	#11	STR	50'-11"	8657
S1	46	#5	2	14'-4"	688
U1	31	#4	3	7'-4"	152
U2	4	#4	3	7'-1"	19
U3	4	#4	3	7'-11"	21
V1	32	#11	1	23'-5"	3981

REINFORCING STEEL LBS. 16239

SP-1 2 ** 5 1147'-9" 2394

SP-2 2 *** 4 945'-6" 1263

TOTAL SPIRAL COLUMN REINFORCING STEEL LBS. 3657

CLASS 'A' CONCRETE BREAKDOWN

POUR #2 (COLUMNS) CU.YD. 18.4

POUR #3 (CAP) CU.YD. 32.5

TOTAL CONCRETE CU.YD. 50.9

DRILLED PIER QUANTITIES

DRILLED PIER CONCRETE

POUR #1 (DRILLED PIERS) CU.YD. 48.3

4'-6" Ø DRILLED PIER NOT IN SOIL 13.50

4'-6" Ø DRILLED PIER IN SOIL 68.50

CSL TUBES LIN. FT. 348.00

PROJECT NO. I-4025A
YADKIN-SURRY COUNTY
STATION: 28+95.00-SBL-

SHEET 2 OF 2

STATE OF NORTH CAROLINA
DEPARTMENT OF TRANSPORTATION
RALEIGH

SUBSTRUCTURE

BENT 1
STAGE I

REVISIONS

NO.	BY:	DATE:	NO.	BY:	DATE:	SHEET NO.
1			3			5-45
2			4			TOTAL SHEETS 78



DRAWN BY: B.N.BARODAWALA DATE: 7-12-04
CHECKED BY: P.S.ERVIN DATE: 8-17-04