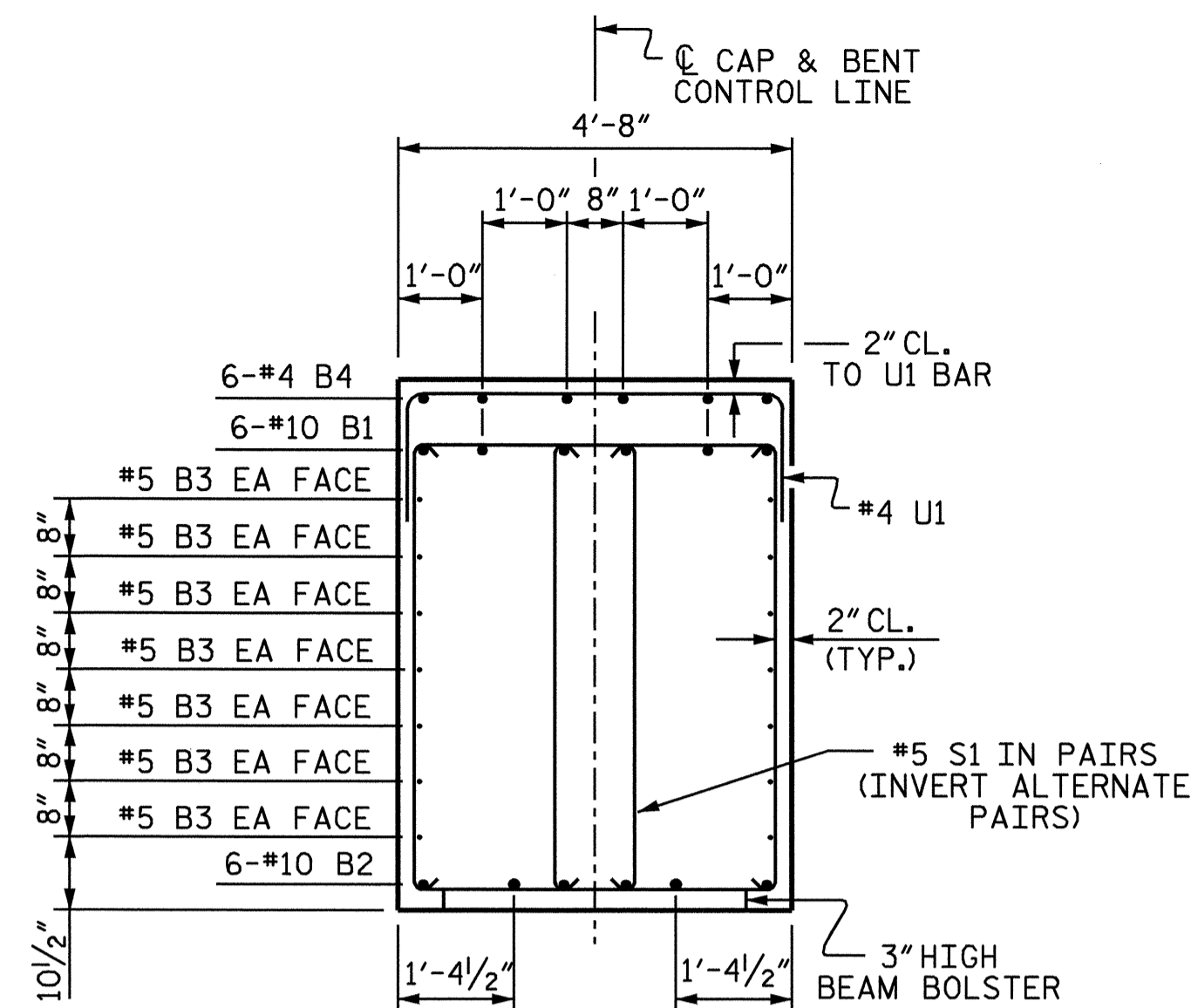
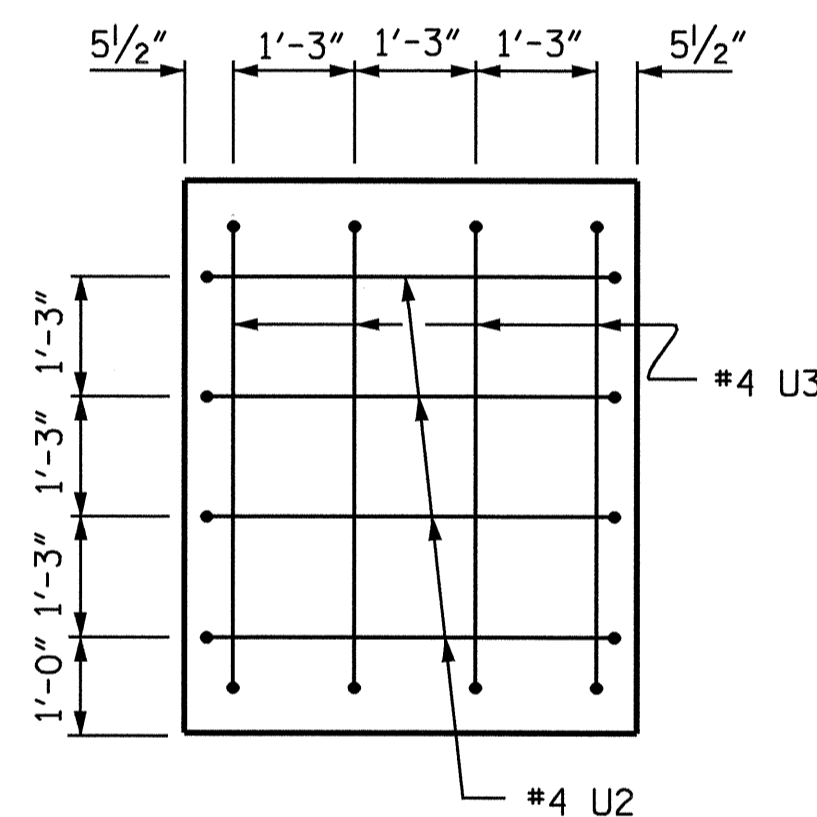


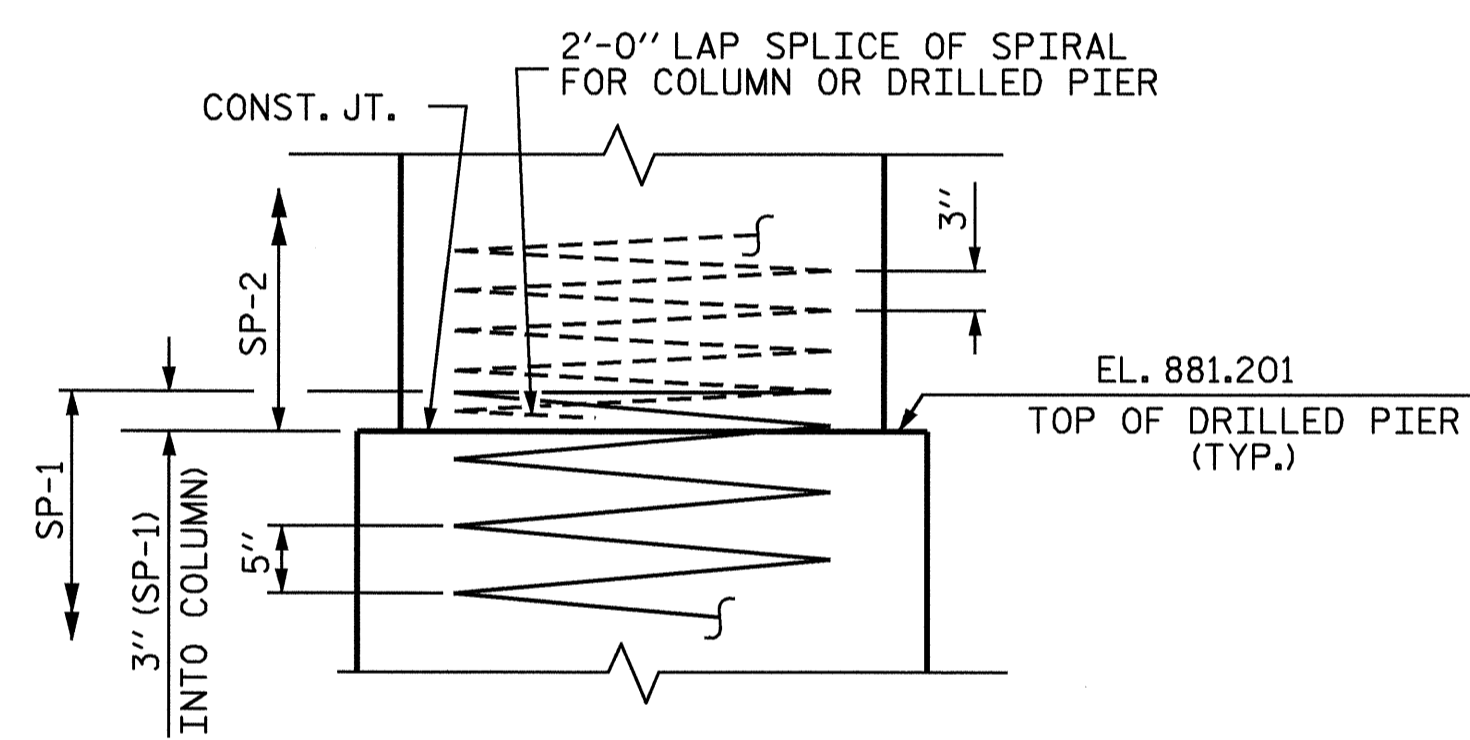
SECTION A-A



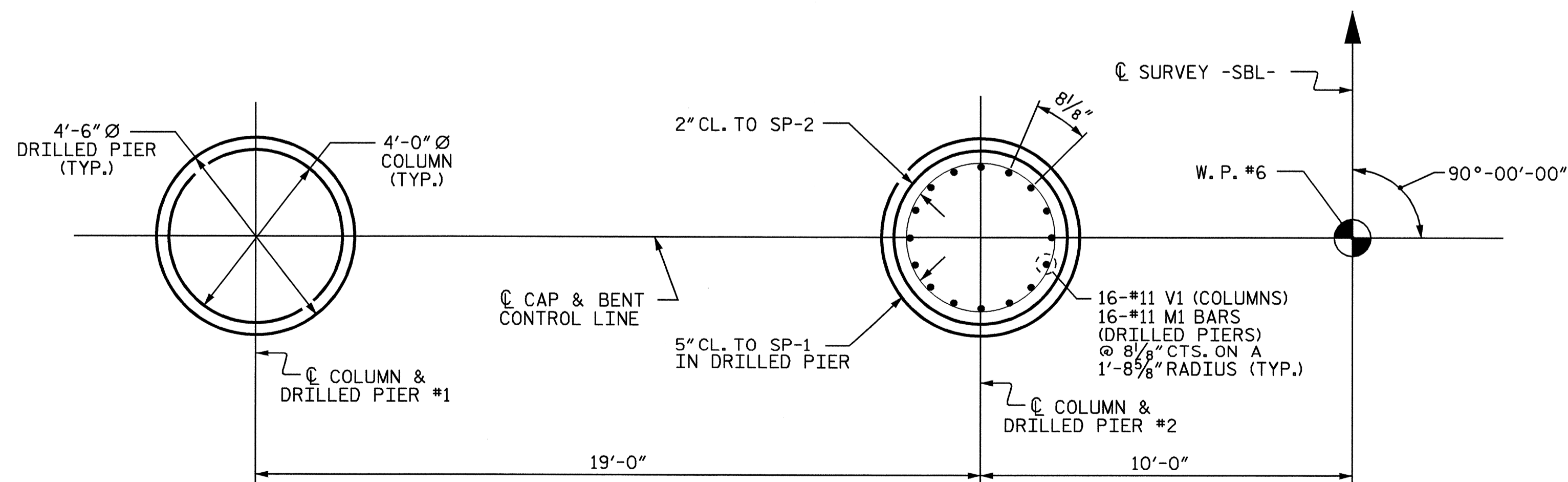
SECTION B-B



LEFT END VIEW



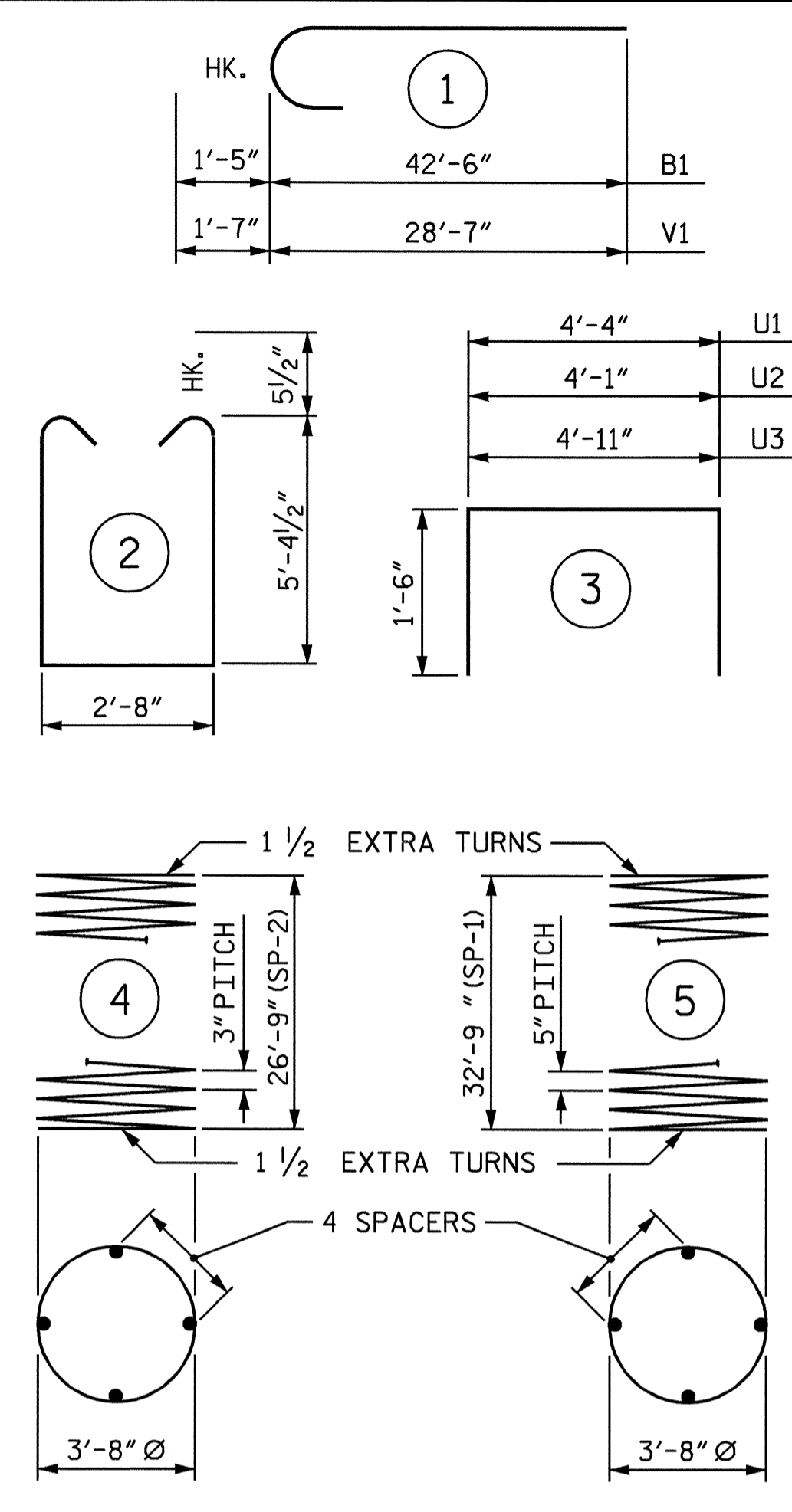
CONSTRUCTION JOINT DETAIL



PLAN OF COLUMNS AND DRILLED PIERS

DIMENSIONS AND REINFORCING STEEL SHOWN ARE TYPICAL FOR EACH DRILLED PIER

BAR TYPES



ALL BAR DIMENSIONS ARE OUT TO OUT.

* THE SP-1 SPIRAL REINFORCING STEEL SHALL BE W31 OR D-31 COLD DRAWN WIRE OR #5 PLAIN OR DEFORMED BAR.

** THE SP-2 SPIRAL REINFORCING STEEL SHALL BE W20 OR D-20 COLD DRAWN WIRE OR #4 PLAIN OR DEFORMED BAR.

BILL OF MATERIAL

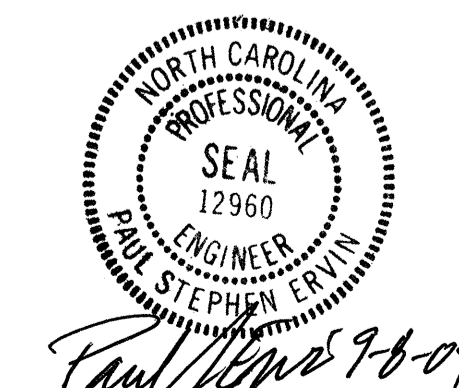
BENT 5 STAGE I					
BAR	NO.	SIZE	TYPE	LENGTH	WEIGHT
B1	6	#10		43'-11"	1134
B2	6	#10	STR	39'-5"	1018
B3	14	#5	STR	34'-6"	504
B4	6	#4	STR	16'-3"	65
M1	32	#11	STR	43'-2"	7339
S1	46	#5	2	14'-4"	688
U1	31	#4	3	7'-4"	152
U2	4	#4	3	7'-1"	19
U3	4	#4	3	7'-11"	21
V1	32	#11	1	30'-2"	5129
REINFORCING STEEL				LBS.	16069
SP-1	2	**	5	931'-10"	1944
SP-2	2	**	4	1253'-1"	1674
TOTAL SPIRAL COLUMN REINFORCING STEEL				LBS.	3618
CLASS 'A' CONCRETE BREAKDOWN					
POUR #2 (COLUMNS)				CU.YD.	24.7
POUR #3 (CAP)				CU.YD.	32.5
TOTAL CONCRETE				CU.YD.	57.2
DRILLED PIER QUANTITIES					
DRILLED PIER CONCRETE					
POUR #1 (DRILLED PIERS)				CU.YD.	39.2
4'-6" Ø DRILLED PIER NOT IN SOIL				LIN. FT.	13.00
4'-6" Ø DRILLED PIER IN SOIL				LIN. FT.	53.50
CSL TUBES				LIN. FT.	286.00

PROJECT NO. I-4025A
YADKIN-SURRY COUNTY
STATION: 28+95.00-SBL-

SHEET 2 OF 2

STATE OF NORTH CAROLINA
DEPARTMENT OF TRANSPORTATION
RALEIGH

SUBSTRUCTURE
BENT 5
STAGE I



REVISIONS					SHEET NO.
NO.	BY:	DATE:	NO.	DATE:	TOTAL SHEETS
1			3		6-61
2			4		78

DRAWN BY: B.N.BARODAWALA DATE: 7-12-04
CHECKED BY: P.S.ERVIN DATE: 8-17-04

18-AUG-2004 07:38
W:\Squad\14025a\bbarodawala\I-4025A.sd.B1-6-01.dgn
bbarodawala