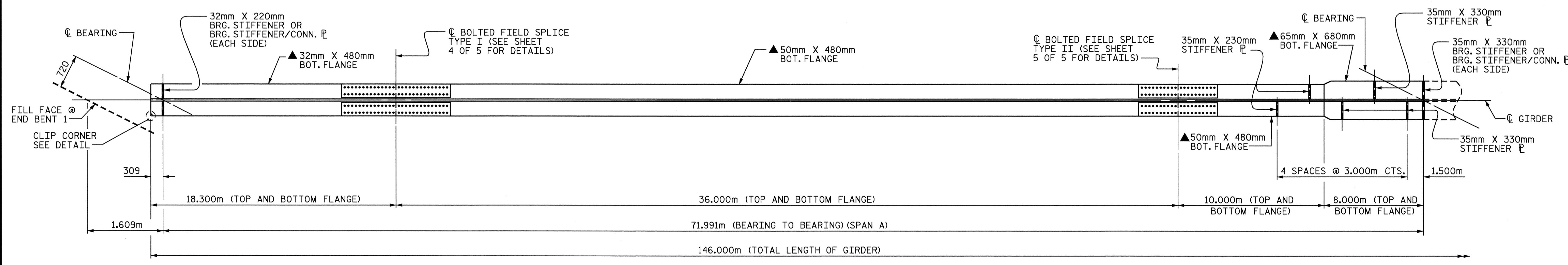
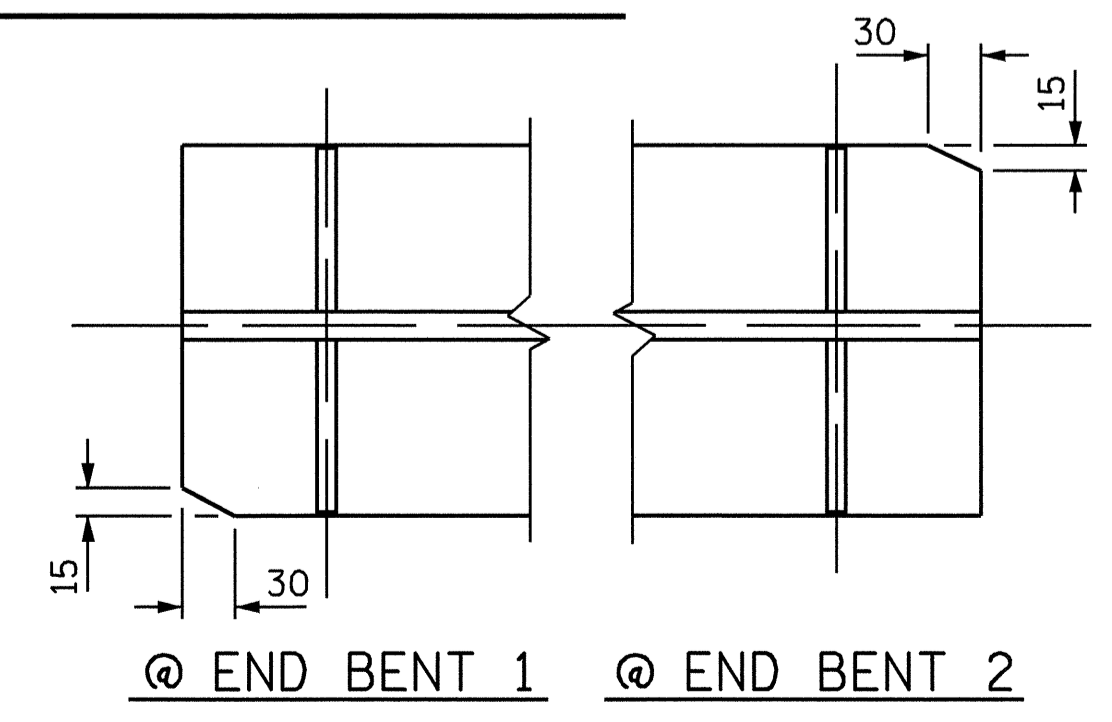
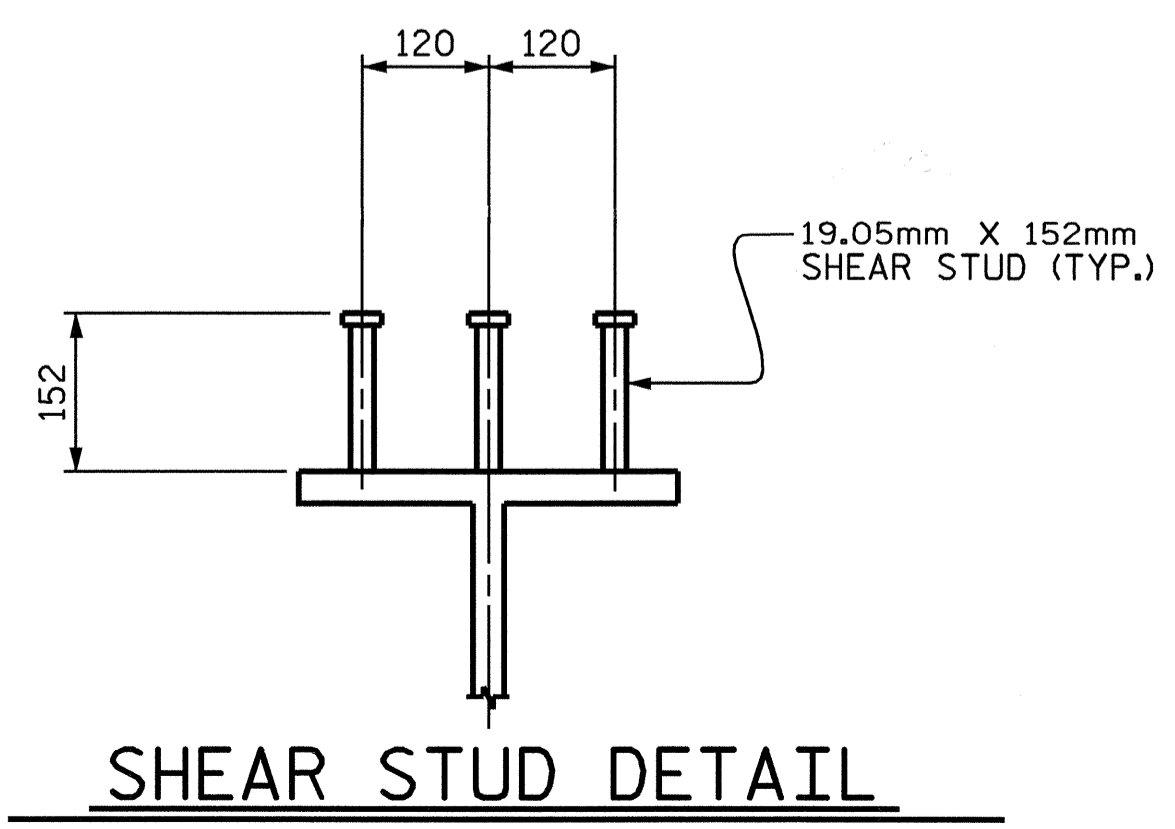


PLATE GIRDER ELEVATION

SEE BOLTED FIELD SPLICE DETAILS FOR SHEAR STUDS ON TOP SPLICE PLATES



BOTTOM FLANGE DETAIL



TYPICAL TOP AND BOTTOM FLANGE

PROJECT NO. R-513A
ROBESON COUNTY
STATION: 18+64.065 -L-

SHEET 1 OF 5

STATE OF NORTH CAROLINA
DEPARTMENT OF TRANSPORTATION
RALEIGH

**SUPERSTRUCTURE
STRUCTURAL STEEL**

NORTH CAROLINA PROFESSIONAL SEAL 16301 ENGINEER TING HSILING FANG
Ting H. Fang
9/15/04

REVISIONS						SHEET NO. 5-9
NO.	BY:	DATE:	NO.	BY:	DATE:	
1			3			TOTAL SHEETS 172
2			4			

DRAWN BY : T.A. WALTER DATE : 10/07/02
CHECKED BY : N.Q. TRAN DATE : 7/03