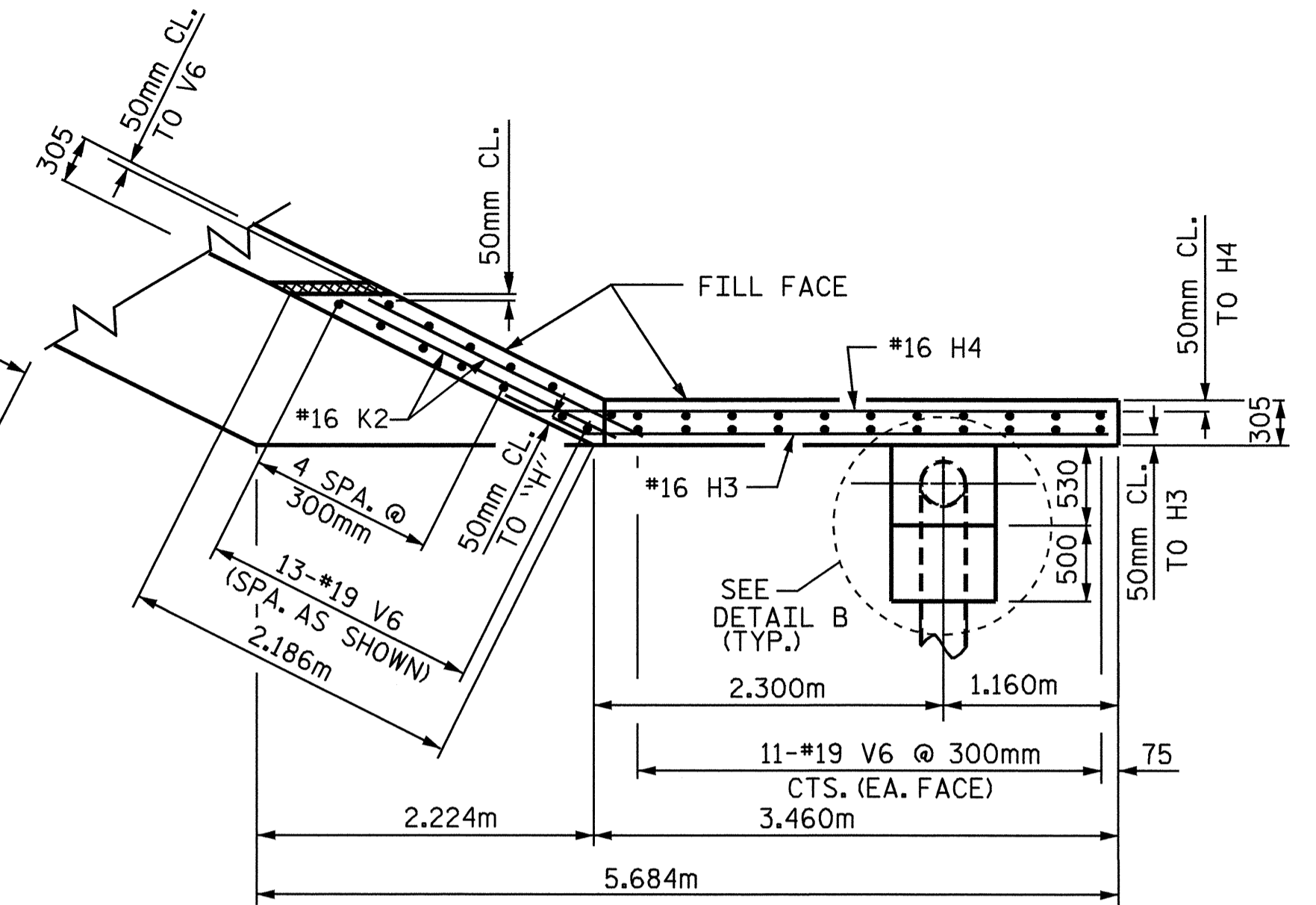
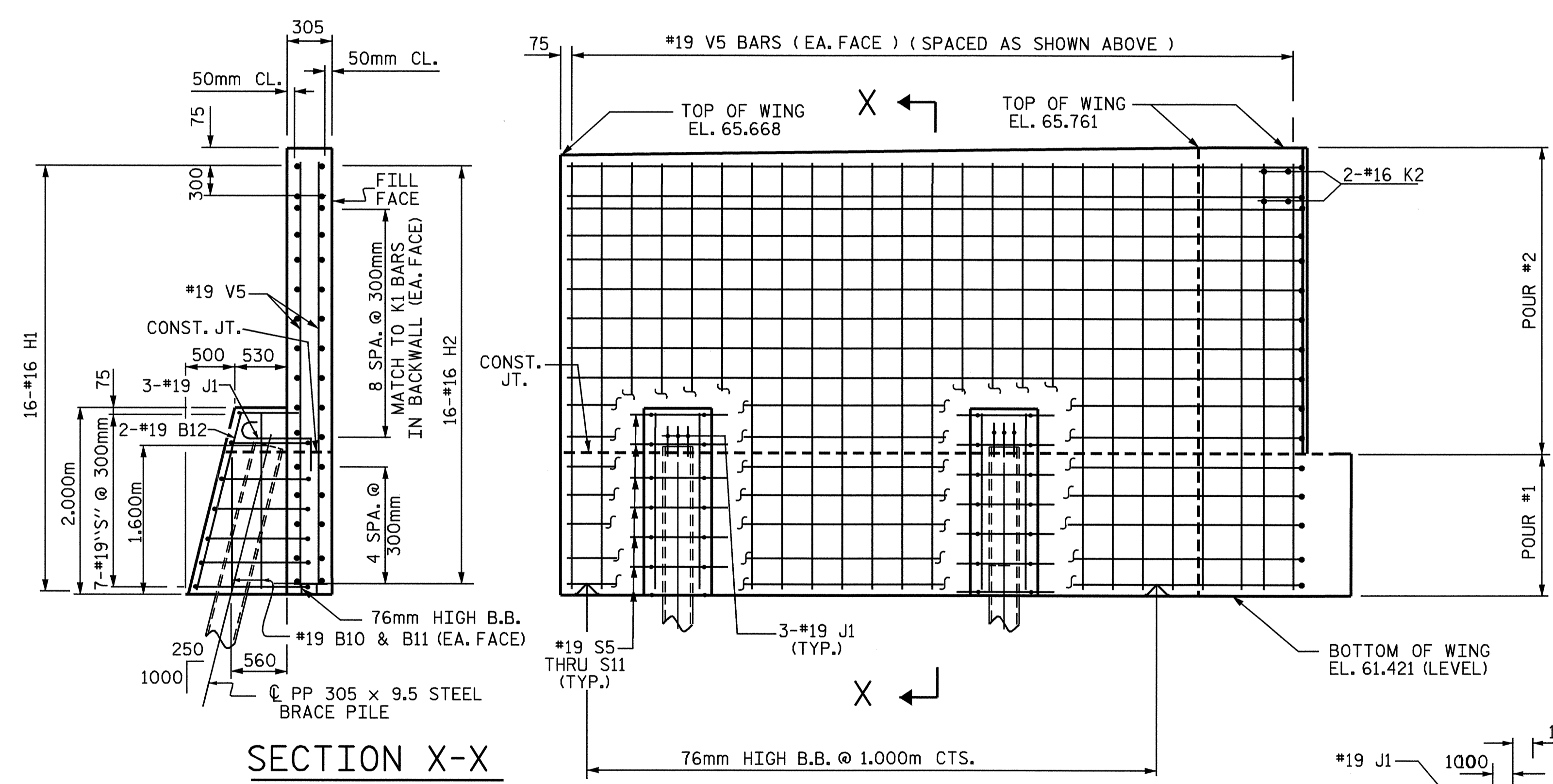


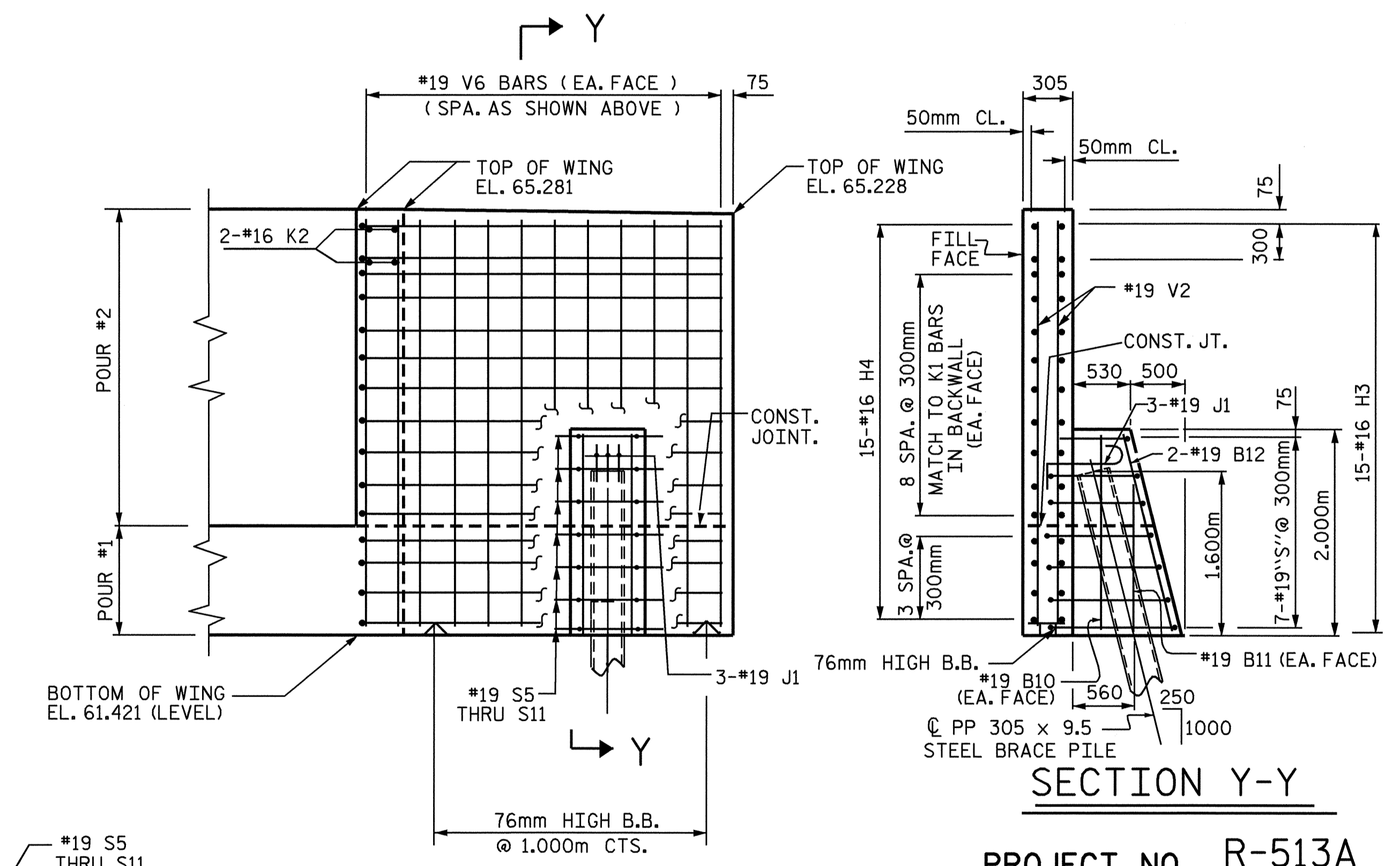
PLAN OF WING - W1



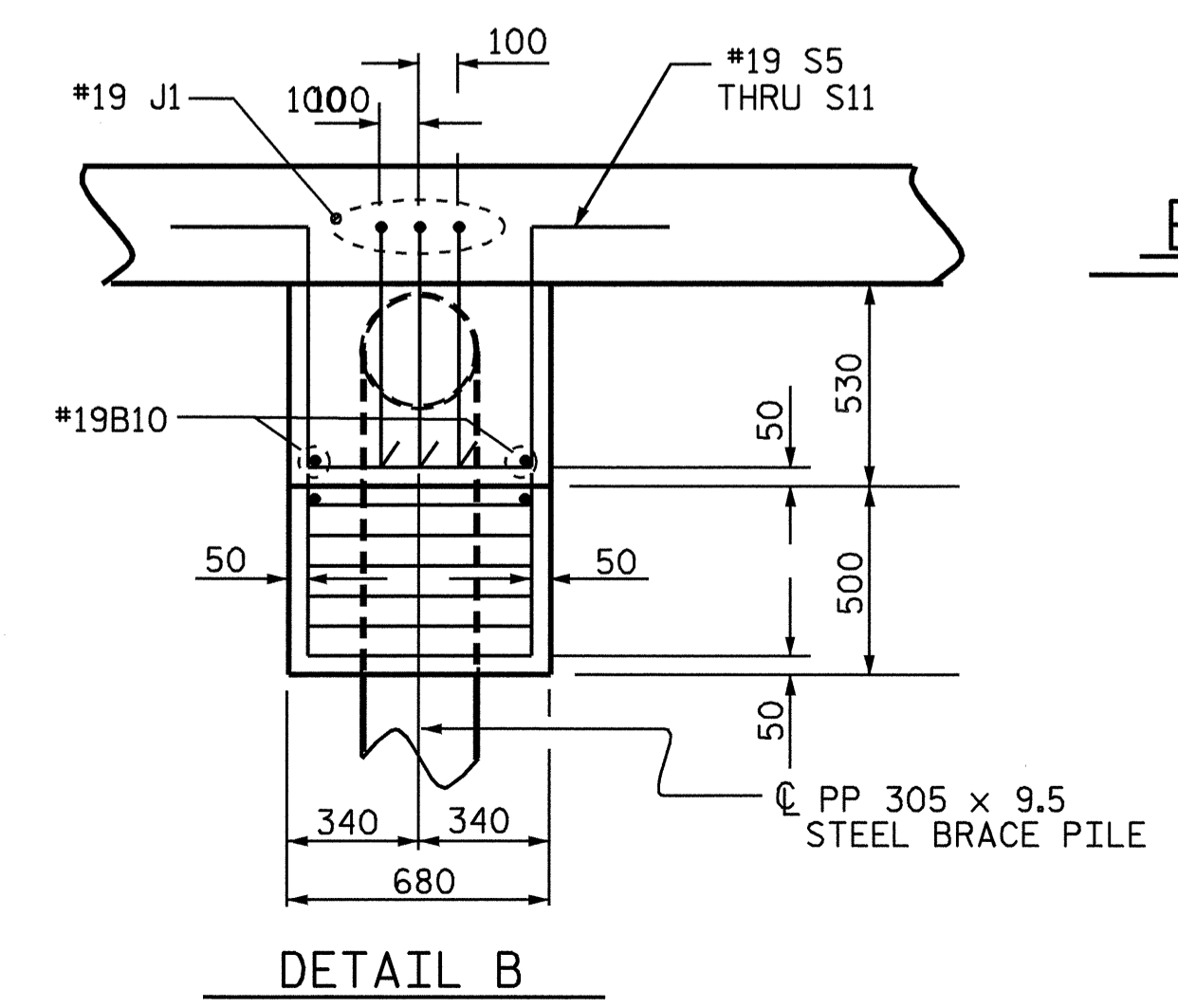
PLAN OF WING - W2



SECTION X-X  
ELEVATION OF WING - W1



SECTION Y-Y  
ELEVATION OF WING - W2



DETAIL B

PROJECT NO. R-513A  
ROBESON COUNTY  
STATION: 18+64.065 -L-

SHEET 2 OF 3

STATE OF NORTH CAROLINA  
DEPARTMENT OF TRANSPORTATION  
RALEIGH  
SUBSTRUCTURE  
END BENT 2

*Professional Engineer Seal*  
NORTH CAROLINA PROFESSIONAL ENGINEER  
SEAL 16301  
Ting Hsiung Fang  
10/05/04

REVISIONS					SHEET NO. S-29
NO.	BY:	DATE:	NO.	DATE:	
1			3		TOTAL SHEETS 172
2			4		

DRAWN BY: N. Q. TRAN DATE: MAY-03  
CHECKED BY: M. A. ALLEN DATE: 3-04