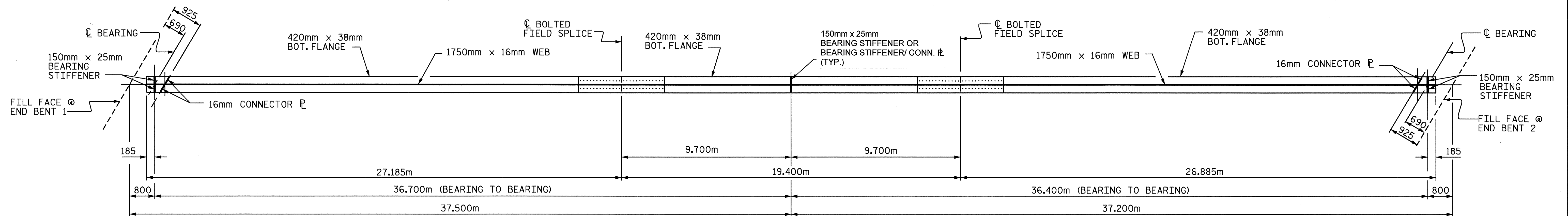
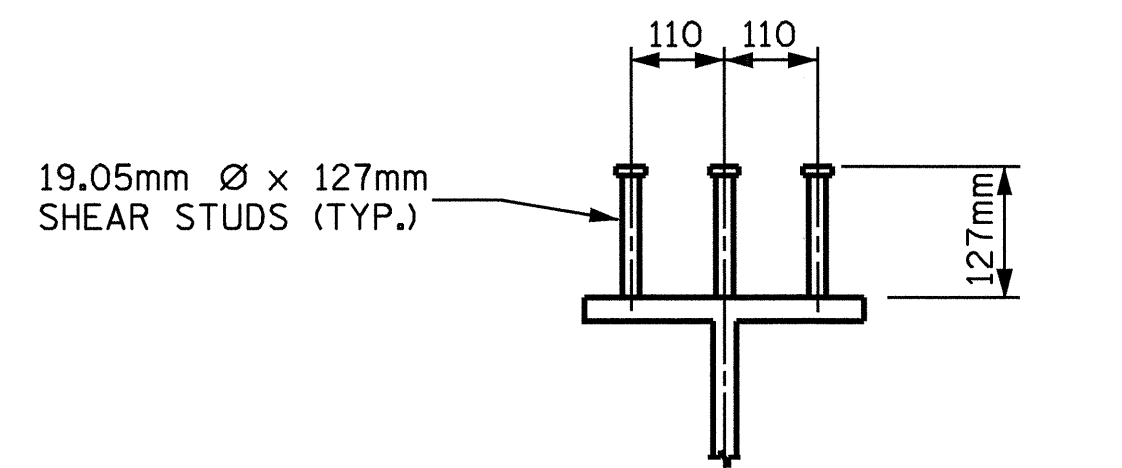


PLATE GIRDER ELEVATION

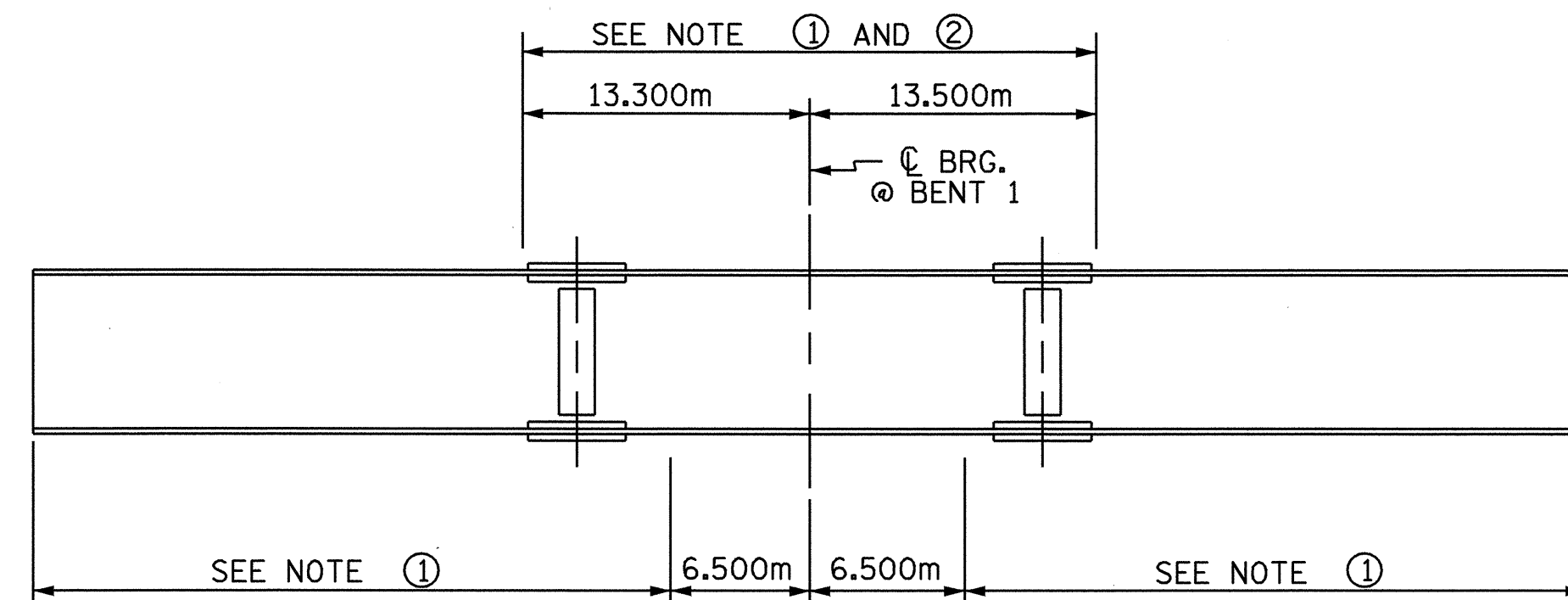
SEE BOLTED FIELD SPLICE DETAILS FOR SHEAR STUDS ON TOP SPLICE PLATES



BOTTOM FLANGE DETAIL



SHEAR STUD DETAILS



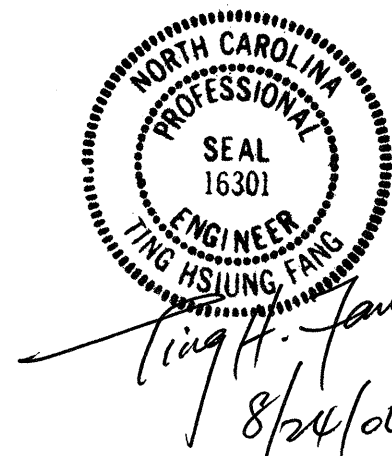
GIRDER MAKE UP

NOTE ① : CHARPY V-NOTCH TESTS ARE REQUIRED FOR ALL TOP OR BOTTOM FLANGE PLATES WHICH FALL WITHIN THESE LIMITS, ALL WEB PLATES, AND ALL SPLICE PLATES. IF A PERMITTED SHOP FLANGE SPLICE IS NOT USED, CHARPY V-NOTCH TESTS WILL BE REQUIRED FOR THE ENTIRE FLANGE PLATE. FOR CHARPY V-NOTCH TESTS, ARTICLE 1072-9 OF THE STANDARD SPECIFICATIONS.

NOTE ② : NO WELDING OF FORMS OR FALSEWORK TO THE TOP FLANGE WILL BE PERMITTED IN THIS REGION.

CHARPY V-NOTCH TESTS FOR CONTINUOUS PLATE GIRDERS

DRAWN BY : N. Q. TRAN DATE : 10-17-02
CHECKED BY : T. A. WALTER DATE : 11-30-02



PROJECT NO. R-513A
ROBESON COUNTY
STATION: 68+75.743 -L-

SHEET 1 OR 3

STATE OF NORTH CAROLINA
DEPARTMENT OF TRANSPORTATION
RALEIGH

**SUPERSTRUCTURE
STRUCTURAL STEEL**

REVISIONS						SHEET NO.
NO.	BY:	DATE:	NO.	BY:	DATE:	5-46
1			3			TOTAL SHEETS
2			4			172