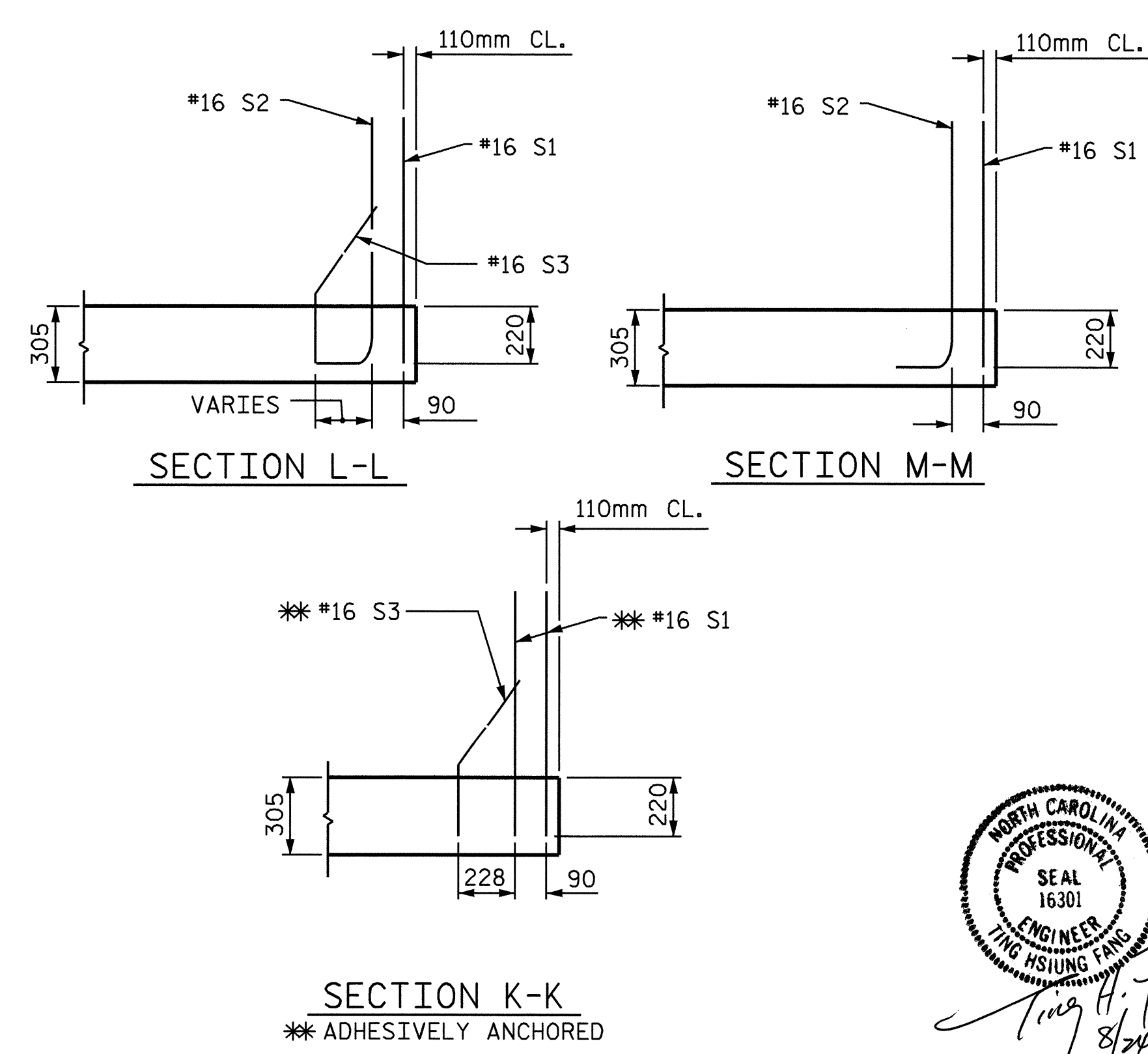
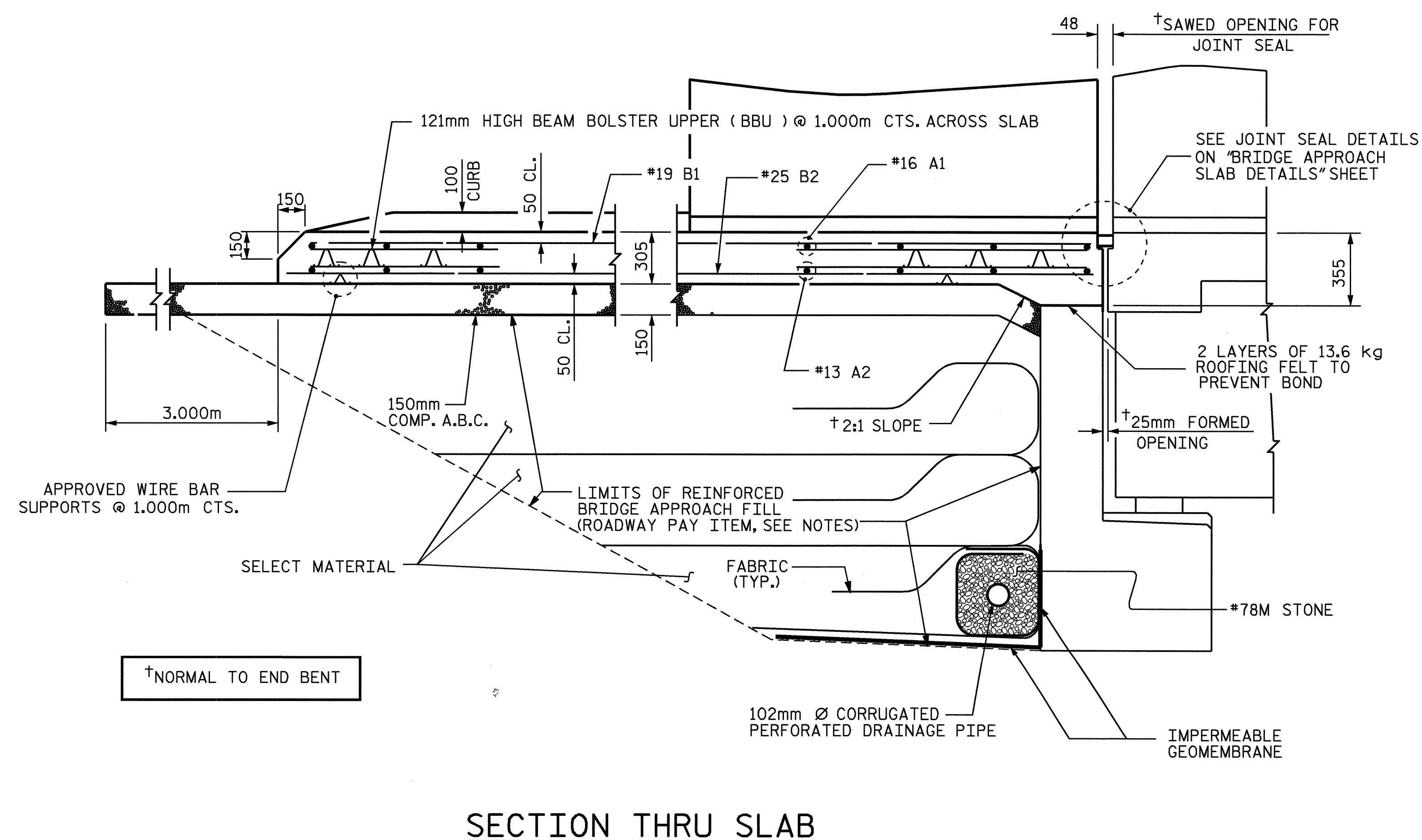
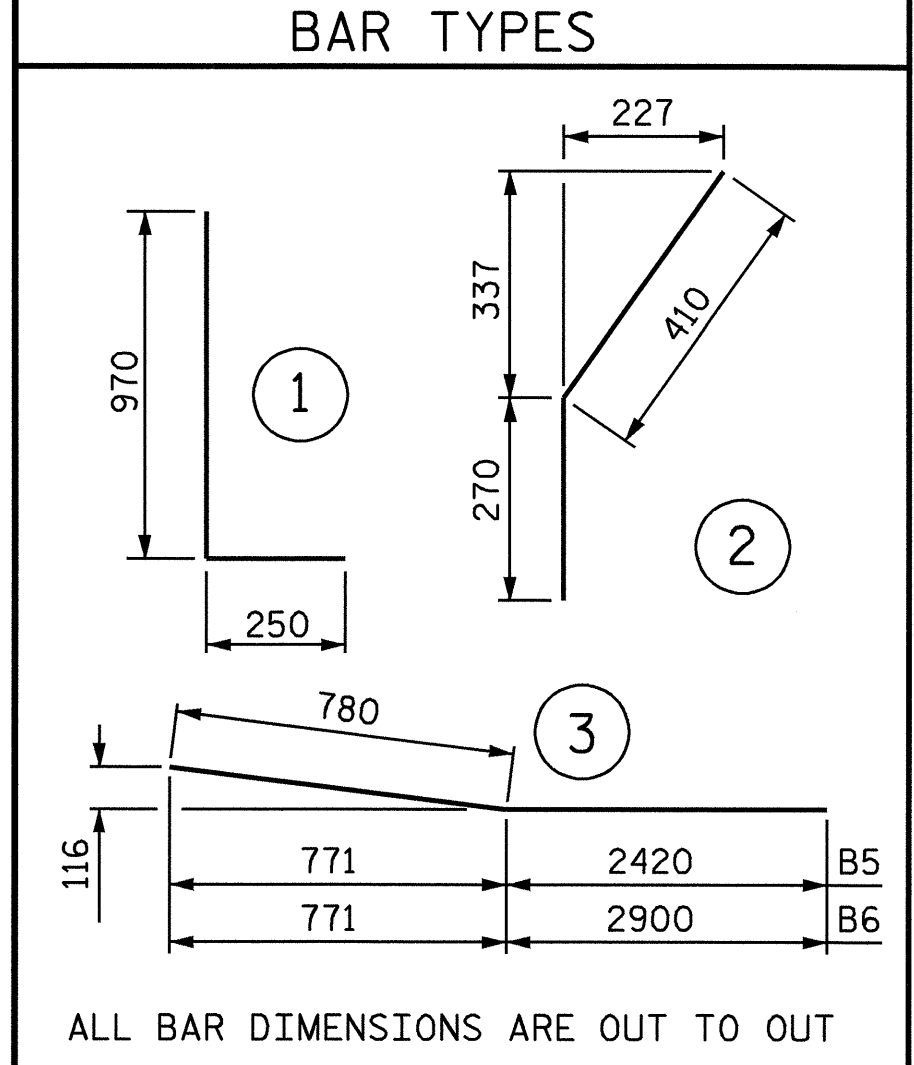


BILL OF MATERIAL					
FOR ONE APPROACH SLAB (2 REQ'D.)					
BAR	NO.	SIZE	TYPE	LENGTH	WEIGHT
*A1	100	#16	STR	9960	1546
A2	150	#13	STR	6760	1008
*B1	110	#19	STR	7320	1800
B2	110	#25	STR	7500	3278
*B3	7	#16	STR	4960	54
*B4	7	#16	STR	5140	56
*B5	1	#16	3	3200	5
*B6	1	#16	3	3680	6
*S1	76	#16	STR	980	116
*S2	42	#16	1	1220	80
*S3	29	#16	2	680	31
REINFORCING STEEL				=	4286 KG
EPOXY COATED REINF. STEEL				=	3694 KG
CLASS AA CONCRETE BREAKDOWN					
POUR 1 SLAB				C. M.	38.8
POUR 2 RAIL				C. M.	2.6
CLASS AA CONCRETE				C. M.	41.4



PROJECT NO. R-513A  
ROBESON COUNTY  
 STATION: 68+75.743 -L-

SHEET 2 OF 4

STATE OF NORTH CAROLINA  
 DEPARTMENT OF TRANSPORTATION  
 RALEIGH

BRIDGE APPROACH SLAB  
 WITH BARRIER RAIL

PROFESSIONAL ENGINEER  
 SEAL 16301  
 TING HSIUNG TANG  
 8/26/04

ASSEMBLED BY : S. M. RASHIDI	DATE : 4/5/04
CHECKED BY : M. A. ALLEN	DATE : 5/04
DRAWN BY : RWW	8/01
CHECKED BY : LES	8/01
ADDED 12/01	REV. 5/7/03
RWW/JTE	

REVISIONS					
NO.	BY:	DATE:	NO.	BY:	DATE:
1			3		
2			4		

SHEET NO. 5-66  
 TOTAL SHEETS 172