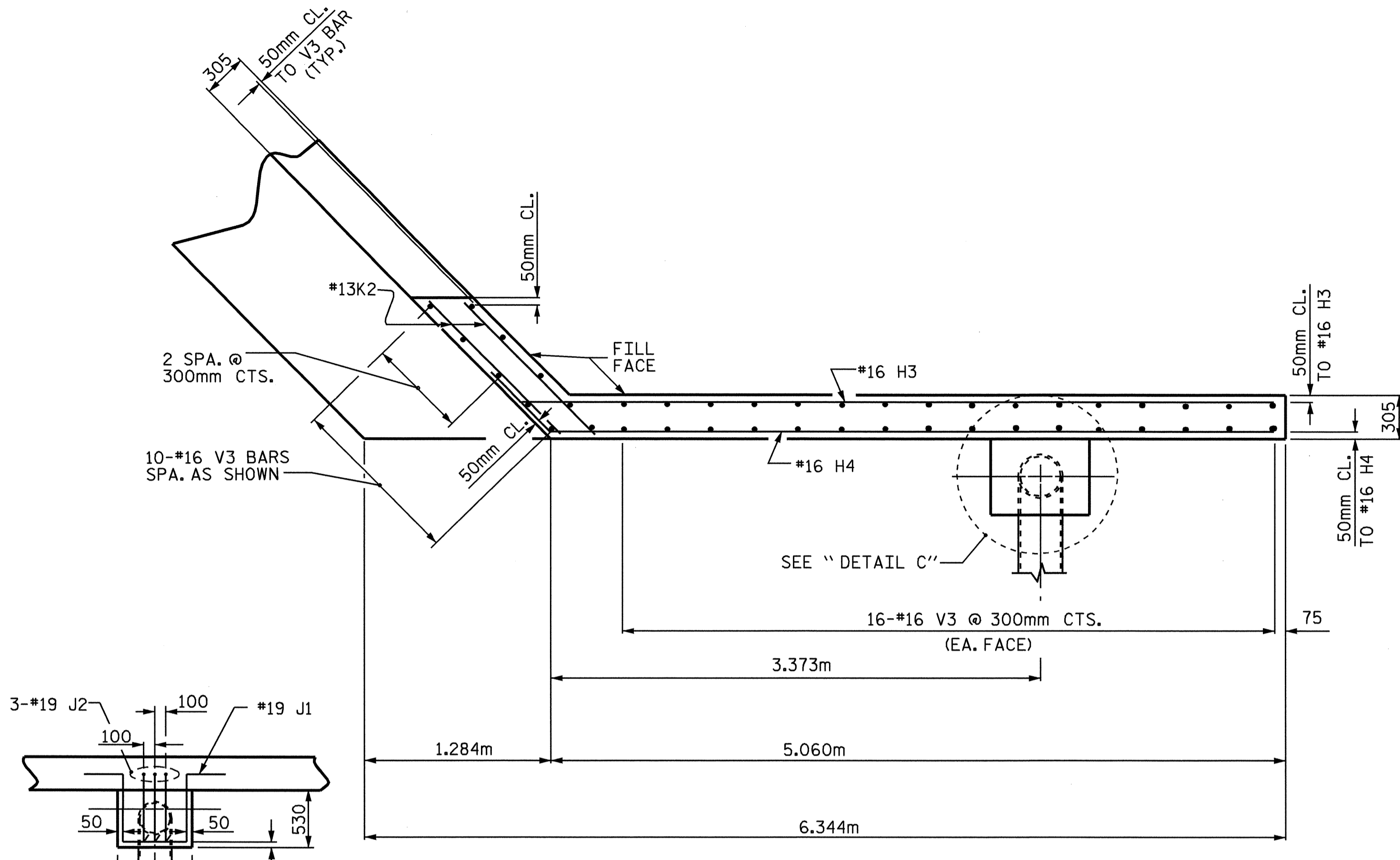
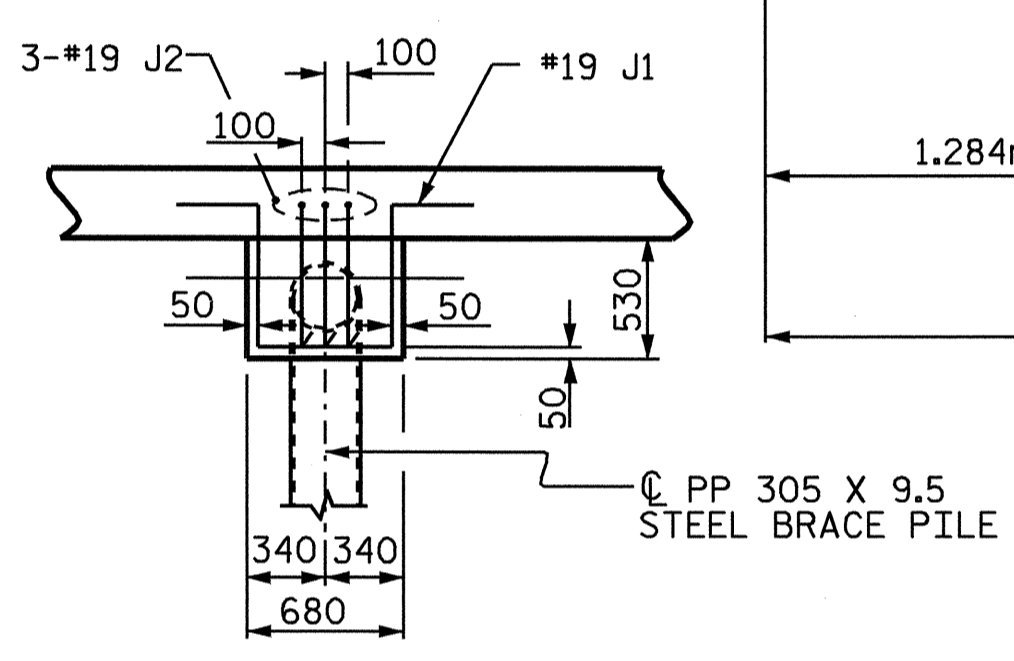


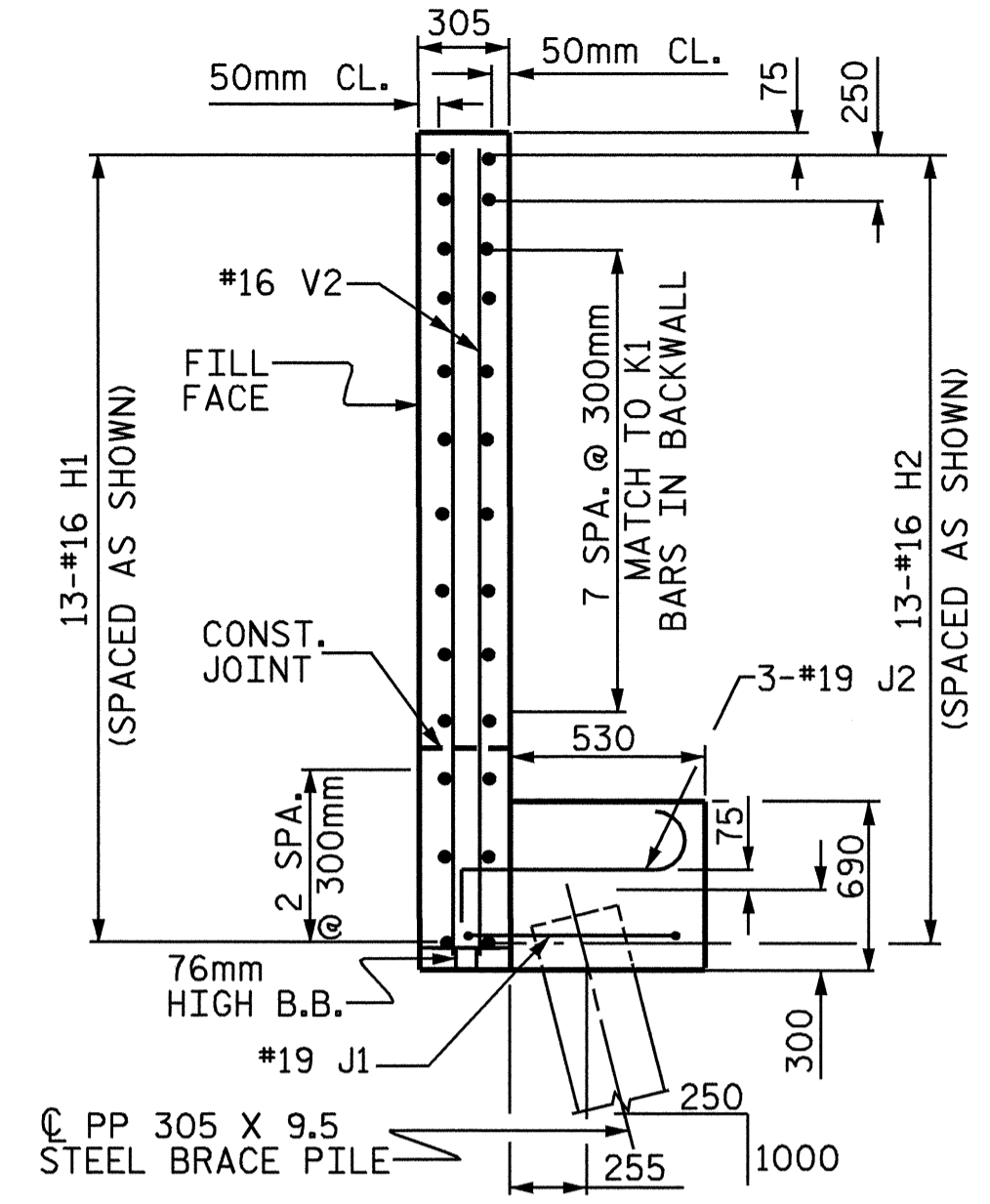
PLAN OF WING W1



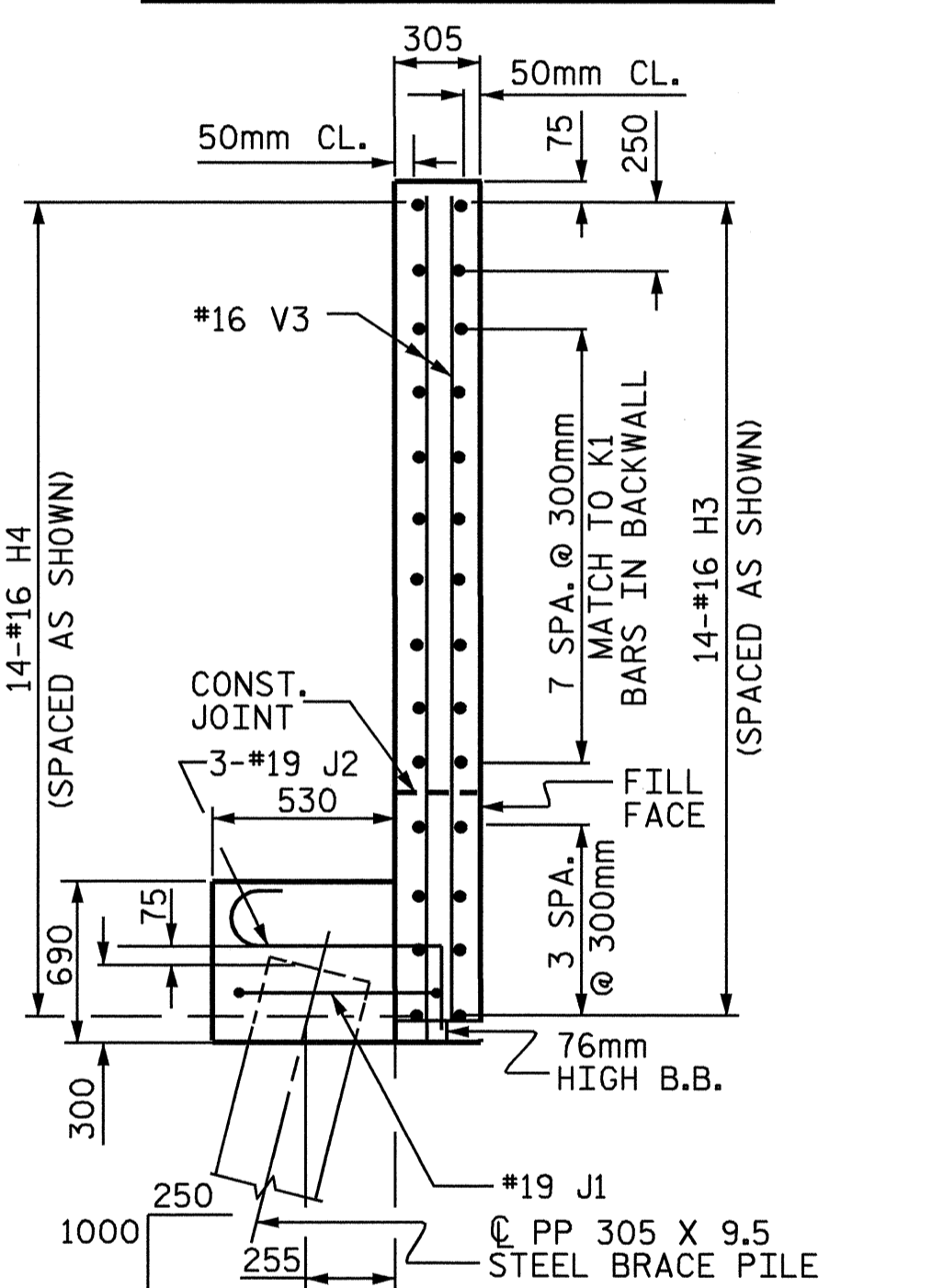
PLAN OF WING W2



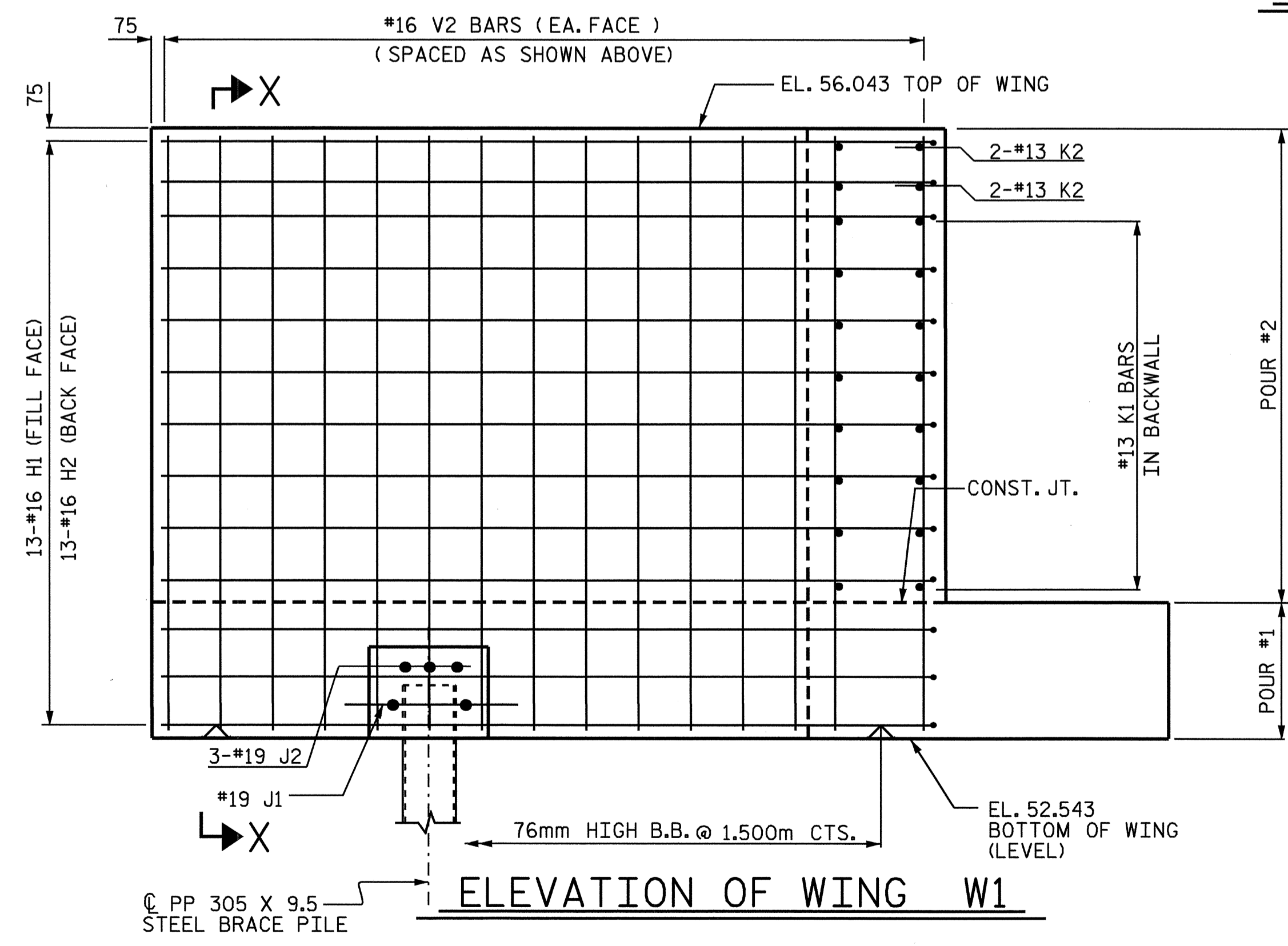
DETAIL C



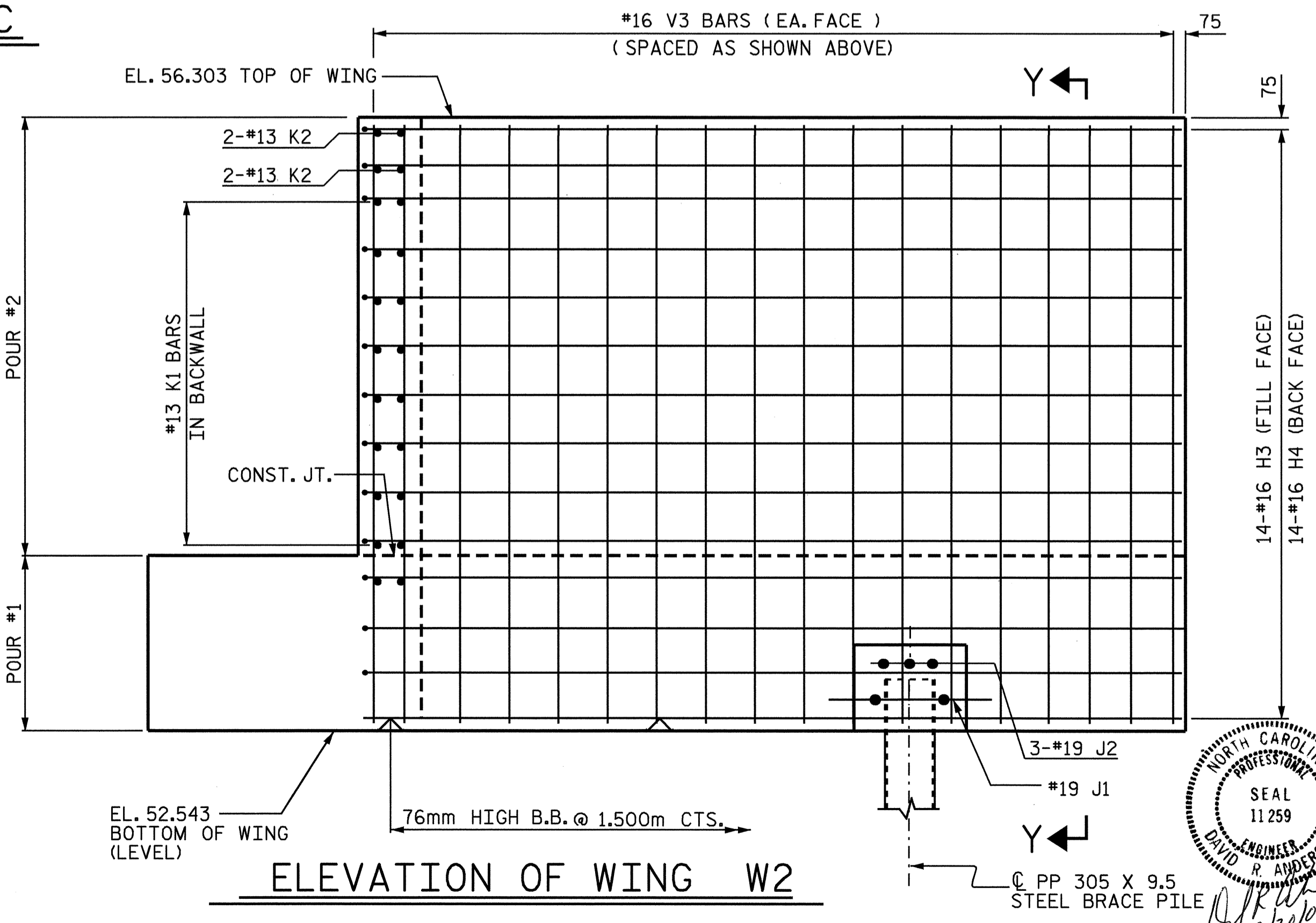
SECTION X-X



SECTION Y-Y



ELEVATION OF WING W1



ELEVATION OF WING W2

PROJECT NO. R-513BA
ROBESON COUNTY
STATION: 113+73.429 -L-
SHEET 2 OF 3

STATE OF NORTH CAROLINA
DEPARTMENT OF TRANSPORTATION
RALEIGH

SUBSTRUCTURE
END BENT 2
(LEFT LANE)

PROFESSIONAL ENGINEER
DAVID R. ANDERSON
SEAL 11259
8/22/04

DRAWN BY: S. M. RASHIDI DATE: 1/6/03
CHECKED BY: M. A. ALLEN DATE: 3-04

REVISIONS						SHEET NO.	
NO.	BY:	DATE:	NO.	BY:	DATE:	5-87	
1			3			TOTAL SHEETS	
2			4			172	

STR. #1