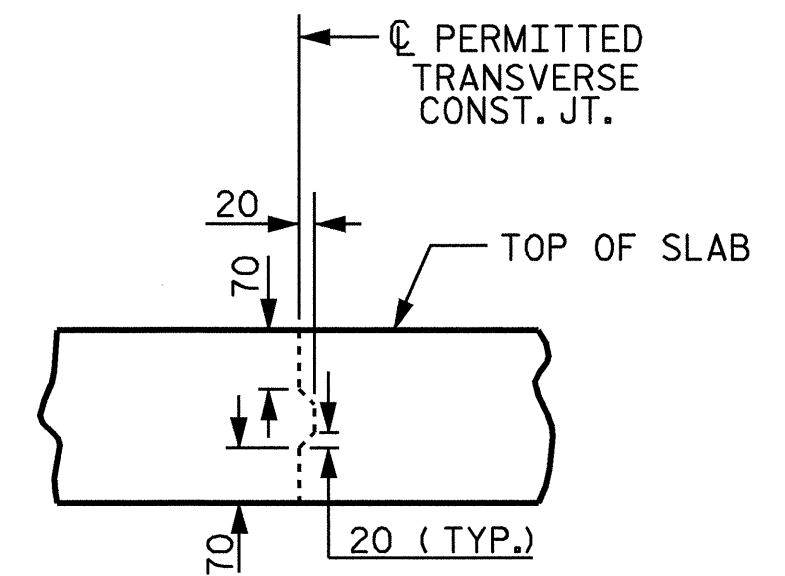


POURING SEQUENCE

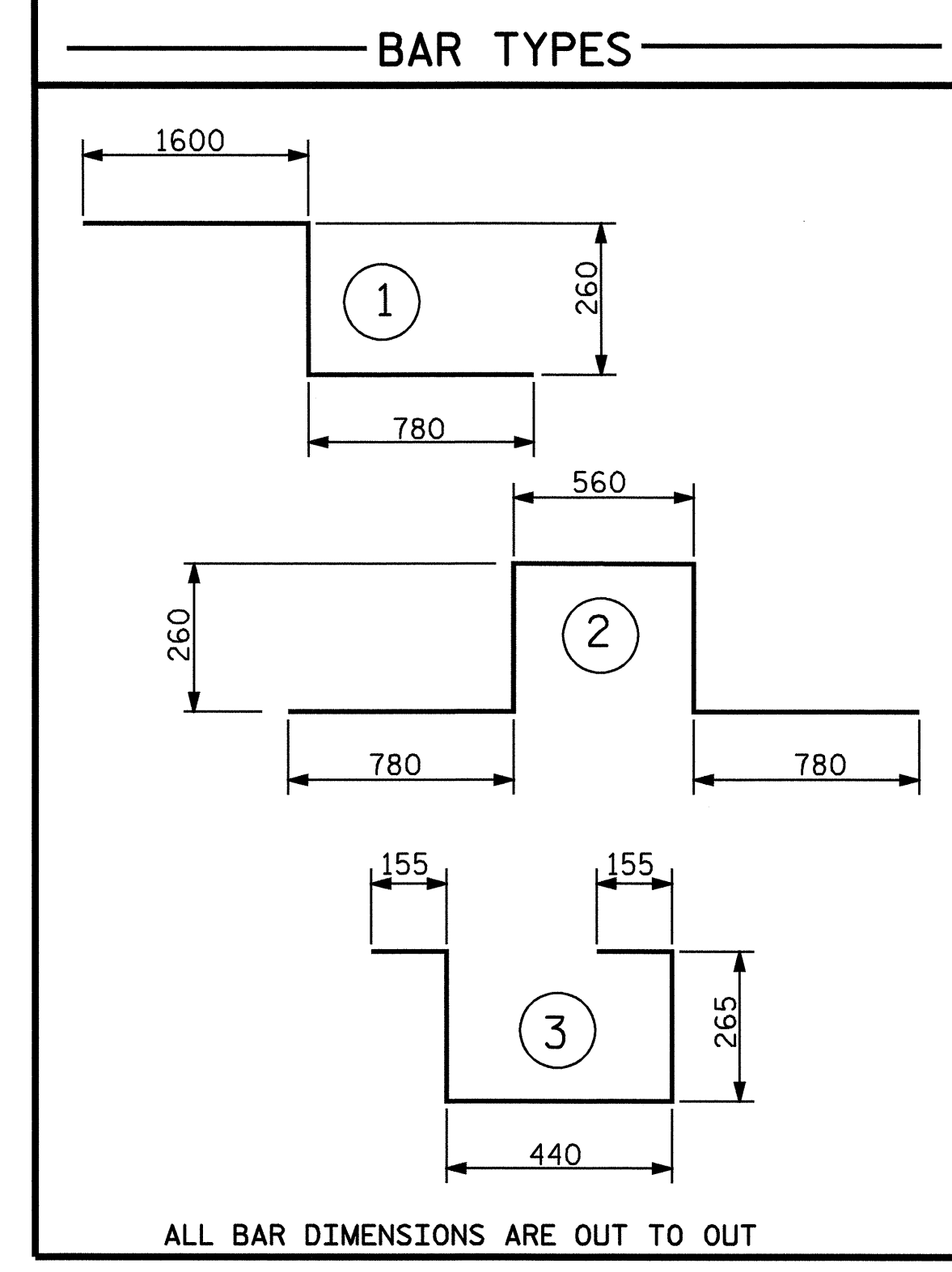
○ DENOTES POUR NUMBER AND DIRECTION OF POUR



TRANSVERSE CONSTRUCTION JOINT DETAIL

SLAB REINFORCING STEEL SHALL BE CONTINUOUS THRU JOINT

GROOVING BRIDGE FLOORS		
BRIDGE DECK	589.6	SQ.METER
APPROACH SLABS	234.2	SQ.METER
TOTAL	823.8	SQ.METER



ALL BAR DIMENSIONS ARE OUT TO OUT

SUPERSTRUCTURE REINFORCING STEEL LENGTHS ARE BASED ON THE FOLLOWING MINIMUM SPLICE LENGTHS

BAR SIZE	SUPERSTRUCTURE EXCEPT APPROACH SLABS, PARAPET, AND BARRIER RAIL		APPROACH SLABS		PARAPET AND BARRIER RAIL
	EPOXY COATED	UNCOATED	EPOXY COATED	UNCOATED	
#13	610	540	610	540	840
#16	770	660	770	660	1050
#19	920	790	1190	790	1330
#22	1580	1060			
#25	2080	1390			

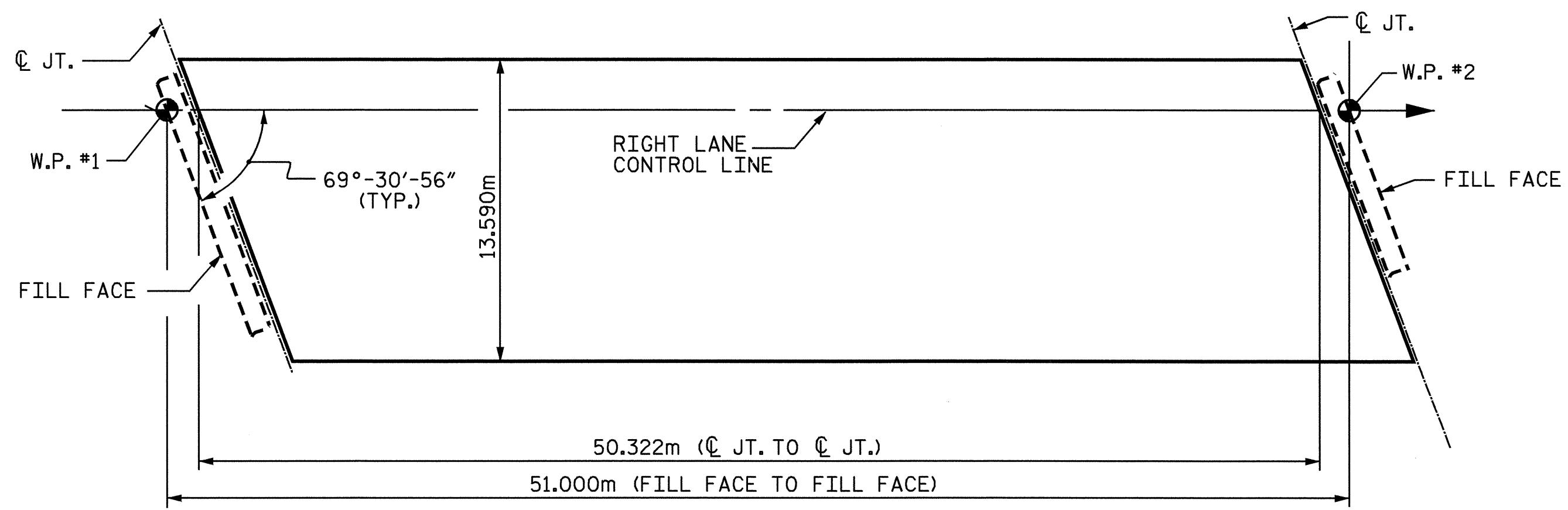
REINFORCING BAR SCHEDULE

BAR NO.	SIZE	TYPE	LENGTH	WEIGHT
* A1	323	16 STR	13340	6687
A2	323	16 STR	13440	6687
* A101	6	16 STR	12360	115
* A102	6	16 STR	11220	104
* A103	6	16 STR	10100	94
* A104	6	16 STR	8980	84
* A105	6	16 STR	7860	73
* A106	6	16 STR	6720	62
* A107	6	16 STR	5600	52
* A108	6	16 STR	4480	42
* A109	6	16 STR	3360	31
* A110	6	16 STR	2240	21
* A111	6	16 STR	1100	10
A201	6	16 STR	12360	115
A202	6	16 STR	11220	104
A203	6	16 STR	10100	94
A204	6	16 STR	8980	84
A205	6	16 STR	7860	74
A206	6	16 STR	6720	62
A207	6	16 STR	5600	52
A208	6	16 STR	4480	42
A209	6	16 STR	3360	31
A210	6	16 STR	2240	21
A211	6	16 STR	1100	10
* B1	186	13 STR	8880	1642
B2	174	16 STR	17180	4639
* G1	2	16 STR	14340	45
* K1	8	16 1	2640	33
* K2	8	16 2	2640	33
K3	12	16 STR	3360	63
* S1	66	13 3	1280	84
REINFORCING STEEL			kg.	12078
* EPOXY COATED REINFORCING STEEL			kg.	9212
* THESE BARS ARE EPOXY COATED				

SUPERSTRUCTURE BILL OF MATERIAL

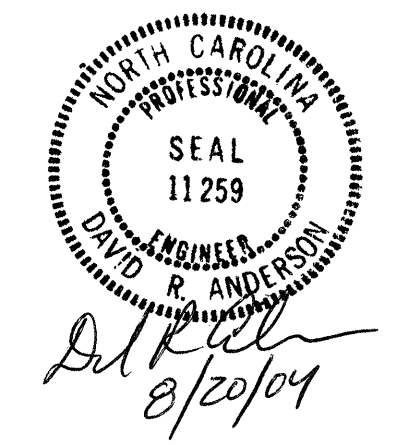
	CLASS AA CONCRETE (CU.METER)	REINFORCING STEEL (kg)	EPOXY COATED REINFORCING STEEL (kg)
SPAN A	194.4	12,078	9,212
TOTALS**	194.4	12,078	9,212

** QUANTITIES FOR BARRIER RAIL ARE NOT INCLUDED



LAYOUT FOR COMPUTING AREA OF REINFORCED CONCRETE DECK SLAB (SQ. METER = 683.9)

ASSEMBLED BY : N. Q. TRAN	DATE : JUL-2003
CHECKED BY : T. A. WALTER	DATE : 4-16-04
DRAWN BY : JMB 5/87	REV. 5/16/97 EEM/RGW
CHECKED BY : SJD 9/87	



PROJECT NO. R-513BA
ROBESON COUNTY
 STATION: 138+30.800 -L-

STATE OF NORTH CAROLINA
 DEPARTMENT OF TRANSPORTATION
 RALEIGH
**SUPERSTRUCTURE
 BILL OF MATERIAL
 (RIGHT LANE)**

REVISIONS						SHEET NO.
NO.	BY:	DATE:	NO.	BY:	DATE:	
1			3			5-160
2			4			TOTAL SHEETS 172