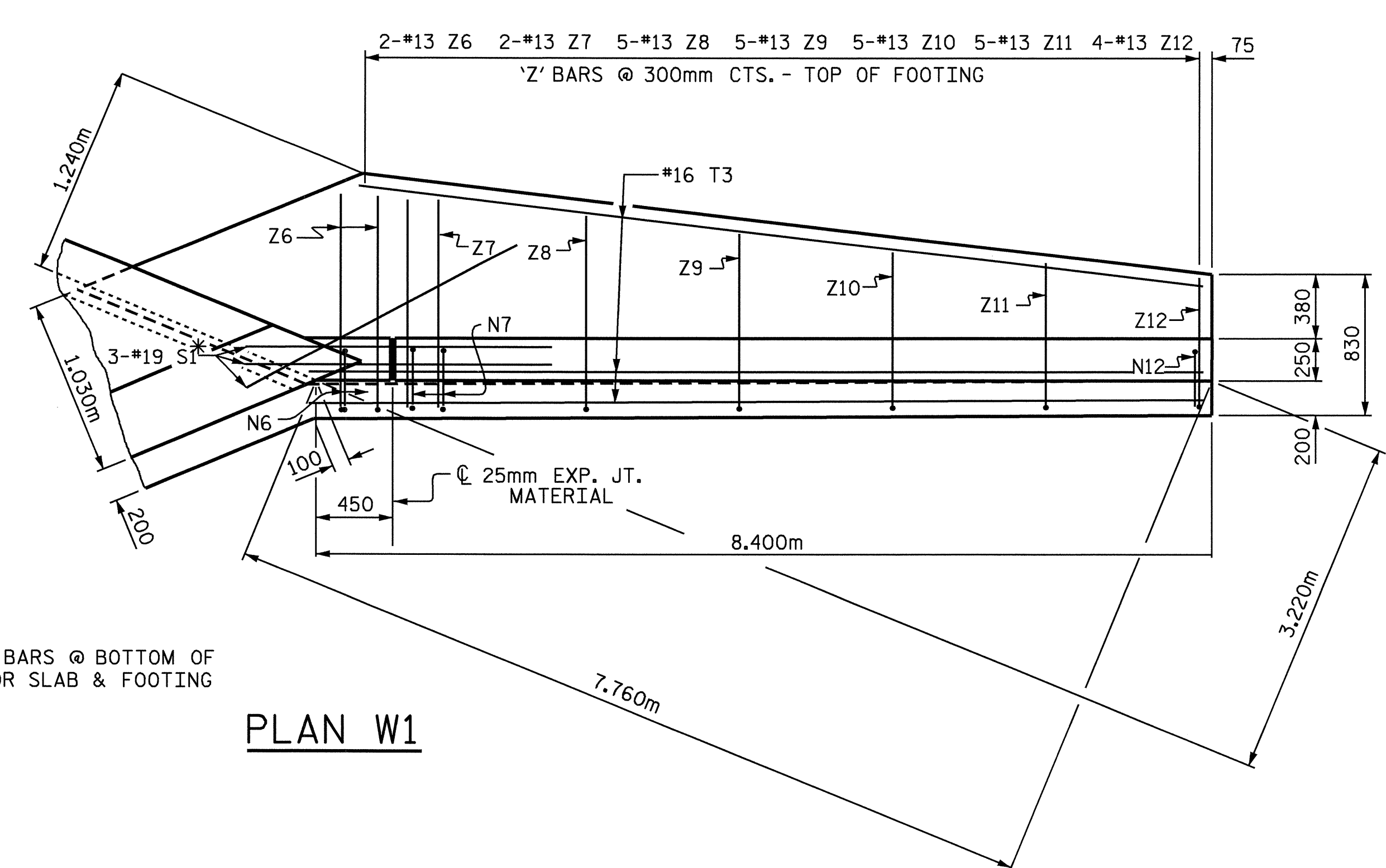
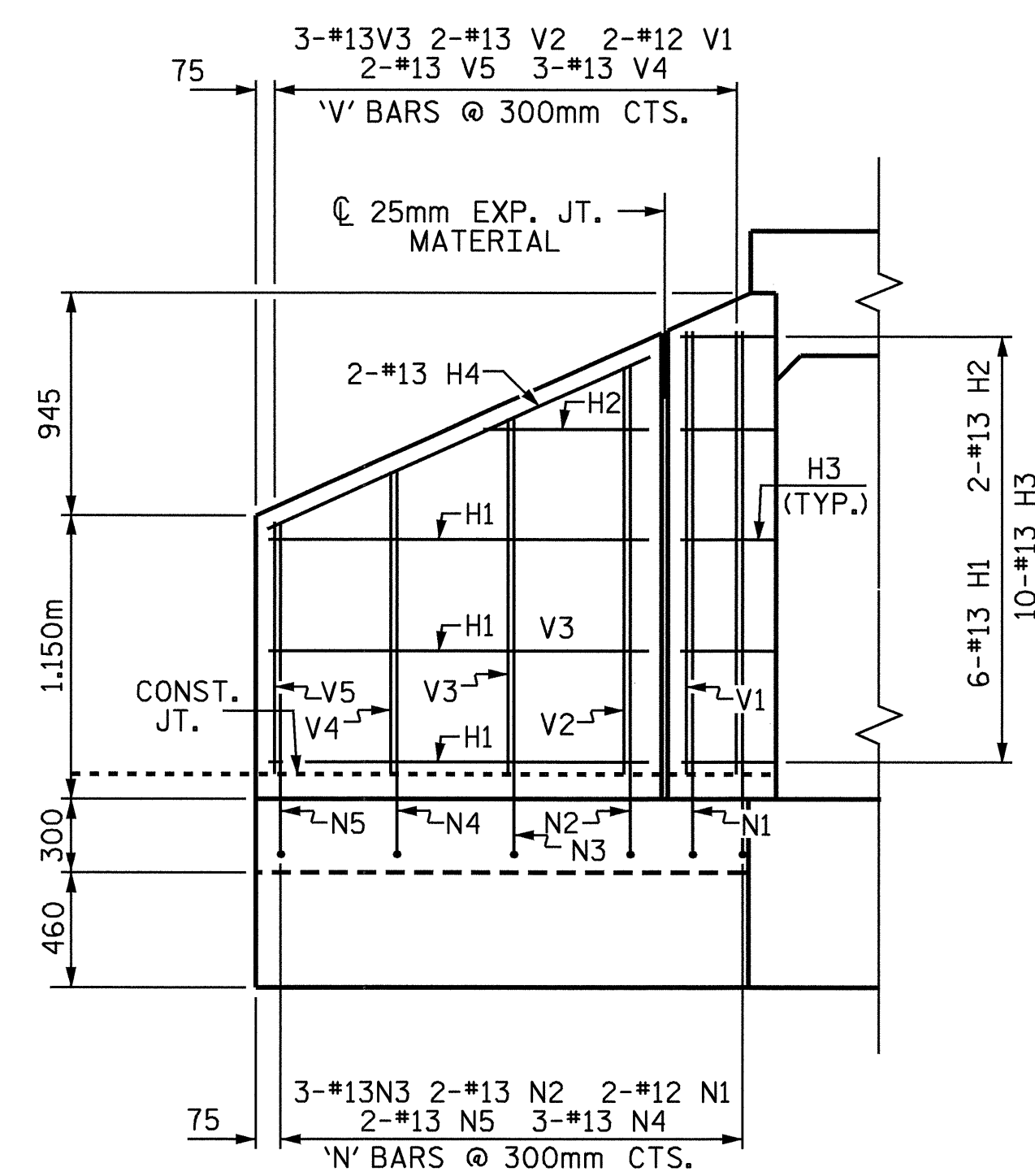


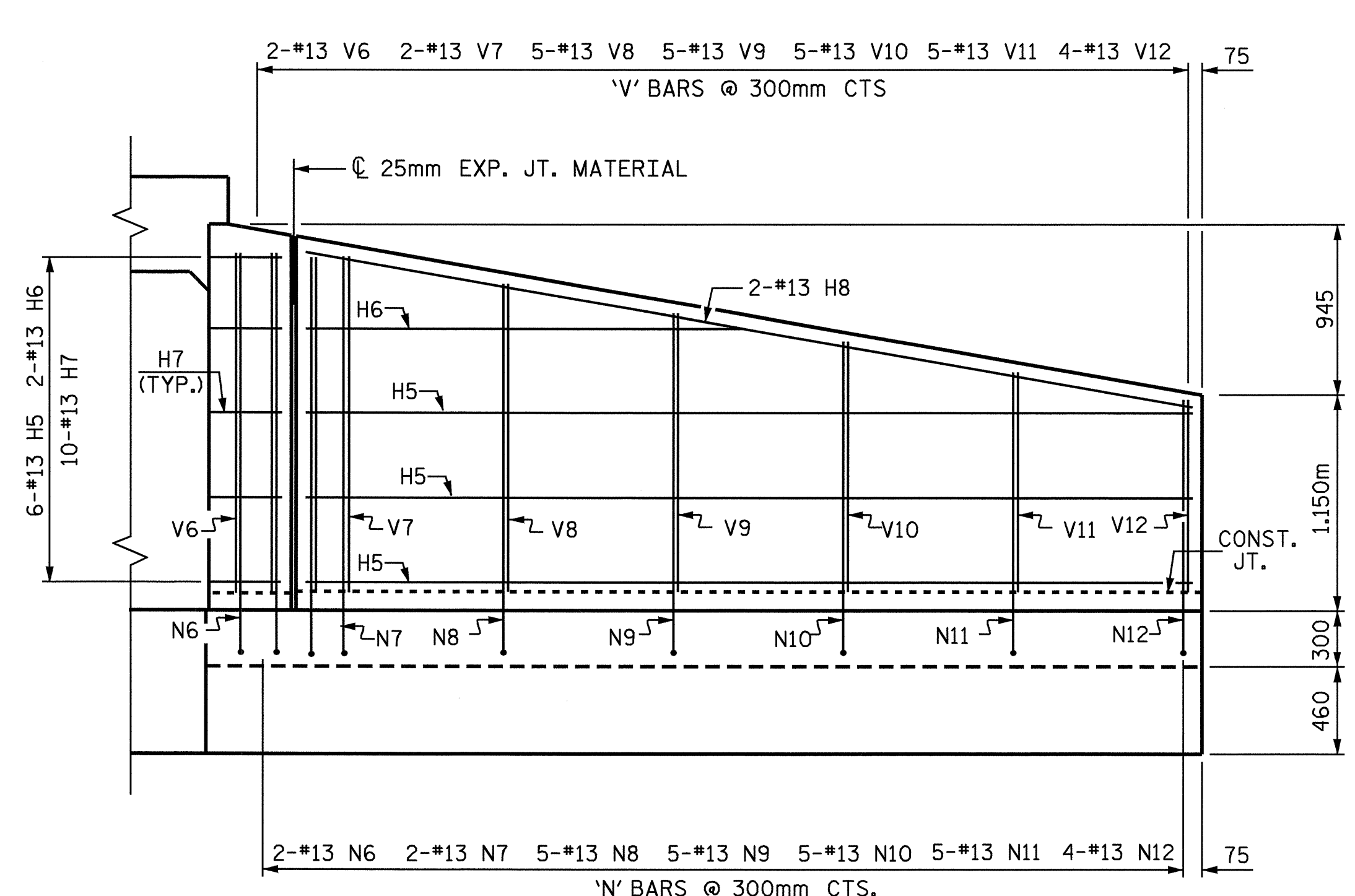
PLAN W2



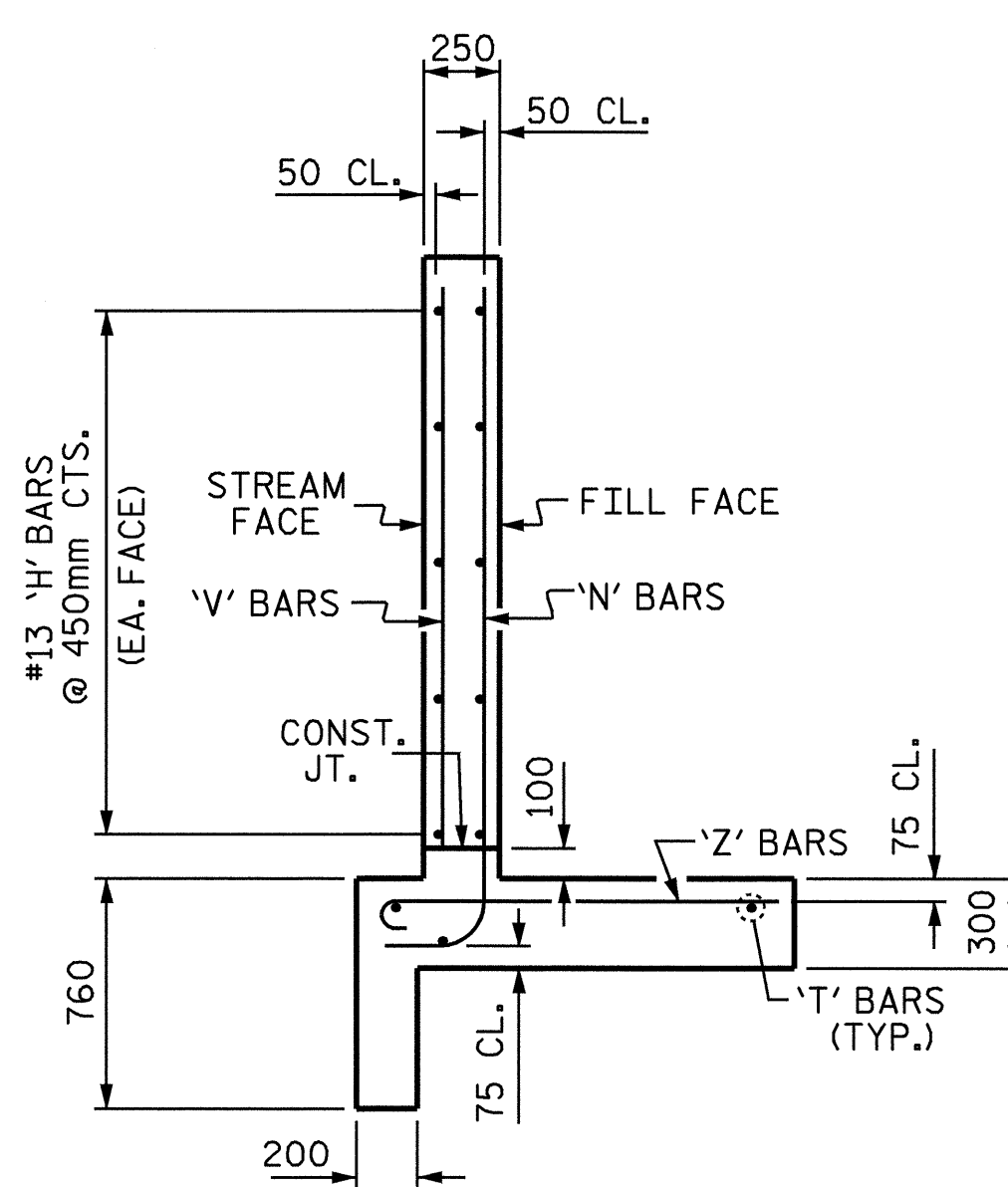
PLAN W1



ELEVATION W2



ELEVATION W1



TYPICAL WING SECTION

ALL BAR DIMENSIONS ARE OUT TO OUT.

BAR NO.	SIZE	TYPE	LENGTH	WEIGHT	
H1	6	13	STR	2840	17
H2	2	13	STR	1420	3
H3	10	13	STR	980	10
H4	6	13	STR	2940	6
H5	6	13	STR	7840	47
H6	2	13	STR	3920	8
H7	10	13	STR	980	10
H8	2	13	STR	7920	16
N1	2	13	STR	2440	5
N2	2	13	STR	2280	5
N3	3	13	STR	2060	6
N4	3	13	STR	1860	6
N5	3	13	STR	1660	3
N6	3	13	STR	2520	5
N7	3	13	STR	2360	5
N8	5	13	STR	2280	11
N9	5	13	STR	2060	10
N10	5	13	STR	1940	10
N11	5	13	STR	1800	9
N12	4	13	STR	1660	7
S1	6	19	STR	2400	32
T1	2	16	STR	3420	11
T2	1	16	STR	3600	6
T3	3	16	STR	8400	39
V1	2	13	STR	1820	4
V2	2	13	STR	1660	3
V3	3	13	STR	1440	4
V4	3	13	STR	1240	4
V5	3	13	STR	1040	2
V6	3	13	STR	1900	4
V7	3	13	STR	1700	3
V8	5	13	STR	1580	8
V9	5	13	STR	1440	7
V10	5	13	STR	1320	7
V11	5	13	STR	1180	6
V12	4	13	STR	1040	4
Z1	2	13	STR	1400	3
Z2	2	13	STR	1280	3
Z3	3	13	STR	1160	3
Z4	3	13	STR	1020	3
Z5	2	13	STR	880	2
Z6	2	13	STR	1460	3
Z7	2	13	STR	1380	3
Z8	5	13	STR	1280	6
Z9	5	13	STR	1180	6
Z10	5	13	STR	1080	5
Z11	5	13	STR	980	5
Z12	4	13	STR	880	3

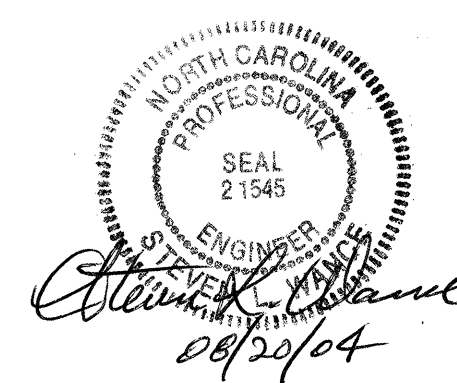
BILL OF MATERIAL		BAR NO.	SIZE	TYPE	LENGTH	WEIGHT
REINFORCING STEEL FOR 2 WING WALLS						
388 kg						
CLASS A CONCRETE						
2 WINGS 10.5 m <sup>3</sup>						
1 HEADWALL 0.9 m <sup>3</sup>						
1 END CURTAIN WALLS 1.0 m <sup>3</sup>						
TOTAL 12.4 m <sup>3</sup>						

PROJECT NO. R-513BA  
ROBESON COUNTY  
 STATION: 14+19.671 -RPB-

SHEET 5 OF 5

STATE OF NORTH CAROLINA  
 DEPARTMENT OF TRANSPORTATION  
 RALEIGH

WINGS FOR INLET END  
 CONCRETE BOX CULVERT  
 H = 1.800m SLOPE = 3 : 1  
 45° FOR INLET WING



REVISIONS						SHEET NO.
NO.	BY:	DATE:	NO.	BY:	DATE:	C-9
1			3			TOTAL SHEETS
2			4			24

ASSEMBLED BY : N. Q. TRAN DATE : 2-15-03  
 CHECKED BY : SWAN@PE DATE : 08-06-04  
 DRAWN BY : JLR 7/97  
 CHECKED BY : VAP 7/97

FOR WING ORIENTATION, SEE BARREL STANDARD SHEET.